



www.glmmarine.com



Quality Replacement Parts for
MerCruiser



GLM is committed to producing the highest quality and cost efficient aftermarket marine products in the industry. At GLM, we use only the highest quality materials and most advanced technology for our product line, enabling us to produce the most reliable and compatible products for the marine aftermarket parts industry.

GLM offers an exciting line of exceptional products, which are brand new from factory and compatible and interchangeable with OEM application. Our in-house design and engineering teams enable us to make improvements on original OEM materials and designs. At GLM, we strive to include all new advancements, improvements, and superior materials with the ever-changing world of technology.

Consider the many additions to the GLM line over the past several years. No other aftermarket manufacturer can compare with our variety of gears, shafts, carriers, drives, and cases, that GLM has developed and re-designed. When you invest in a GLM product, you can be assured that you are receiving the highest quality aftermarket marine products available. GLM is the only source for innovation and exclusive aftermarket products.

At GLM, we deliver the highest quality and most complete line of aftermarket marine parts worldwide.



GLM Products, Inc.
705 Los Angeles Avenue
Monrovia, CA 91016 USA
(626) 357-0077 TEL
(626) 357-0600 FAX
info@glmmarine.com



Quality replacement parts catalogs for:

-  **Yamaha** (Suzuki, Honda, Tohatsu, Nissan)
-  **MerCruiser**
-  **OMC | Volvo Penta**
-  **Johnson | Evinrude**
-  **Mercury | Mariner | Force**

For catalog availability, visit us on the web at: www.glmmarine.com



Manifold Catalog
&
Anode Brochure

Contents of this catalog are copyrighted.
Reproduction of any or all of its contents is prohibited.

We have prepared this catalog to provide you with information that is helpful and accurate as possible. Although care has been taken to assure the accuracy of the data presented in this catalog, GLM Products, Inc. does not assume any liability for errors or omissions.

All illustrations used in this catalog are intended as representative views for reference only.

TABLE OF CONTENTS

MERCUISER STERNDRIVE

Replacement Sterndrives Complete	Section 1	Complete Seawater Pump Kits - Drive Mounted	72
Alpha One Generation II Complete	6	Upper Seawater Pump Housing Impeller Kit - Drive Mounted	72
MR / Alpha One Sterndrives Complete	7	Seawater Pump Impeller Service Kits - Drive Mounted	73
Sterndrive Unit Application Guide	8	Seawater Pump Parts Applications	73
Drive Shaft Housing (Upper)	Section 2	Water Pump & Outdrive Seal Kits	74
Drive Shaft Housing Breakdown - Alpha One Gen II	10-13	Seawater Pump Components - Alpha One Gen II	75
Drive Shaft Housing Breakdown - R / MR / Alpha One	14-15	Belt Driven Pump	75
Drive Shaft Housing Breakdown - Bravo	16-17	Seawater Pump Components - MC-1 / R / MR / Alpha One	76
Complete Drive Shaft Housing Assemblies	18	Transom Assy, Components & Couplers	Section 5
Drive Shaft Housings	18	Gimbal Bearing Flyer	78
Drive Shaft Housing Service Kits - Alpha One Gen II	19-20	Bell Housing Breakdown - Alpha One Gen II	79
Drive Shaft Housing Service Kits - R / MR / Alpha One	21	Bell Housing Breakdown - MC-1 / R / MR / Alpha One	80
Drive Shaft Hosing Gear Sets	22	Bell Housing Breakdown - Bravo	81
Drive Shaft Hosing Gear Set Applications	23	Gimbal Hsg .Breakdown - MC-1 / R / MR / Alpha One / Alpha One Gen II ..	82
Drive Shaft Housing Seal Kits	24	Gimbal Hsg. Breakdown - Bravo	83
Mounting Kits	24	Transom Plate & Shift Cable Breakdown	84
Drive Shaft Housing Shim Kits	25	Transom Service Kits	85
Stern Drive Shim Applications	26	Bell Housing Gasket Sets & O-rings	86
Drive Shaft Seal & Bearing Applications	27	Bellows	87
Drive Shaft Housing Bearings & Applications	28	Transom Assembly Components	88
Yoke & U-Joint Service Kits	29	Transom Components & Bellows Applications	89
Universal Joints & Drive Shaft Housing Yokes	30	Shift Cable Kits	90
Universal Joint Applications	31	Shift Components	91
Drive Shaft Housing Components	32-33	Engine Couplers	92
Gearcase (Lower)	Section 3	Motor Mount Kits & Components	93
Gearcase Breakdown - Alpha One Gen II	36-37	Power Trim	Section 6
Gearcase Breakdown - MR & Alpha One	38-39	Power Trim Cylinder Breakdown - Alpha One Gen II	96
Gearcase Breakdown - MC-1 & R	40-41	Power Trim Cylinder Breakdown - R / MR / Alpha / Bravo	97
Gearcase Breakdown - Bravo I & II	42-43	Power Trim Cylinder Breakdown - MC-1	98
Gearcase Breakdown - Bravo III	44-45	Power Trim Cylinders - Complete	99
Complete Gearcase Assembly	47	Power Trim Cylinder Components - (1983 & Up)	100
Gearhousings	47	Power Trim Cylinder Components - MC-1 (1970-1980)	101
Complete Gearcase Assembly Kit - Alpha One Gen II	48	Power Trim Cylinders Application Guide	102
Gearcase Rebuilding Kit - Alpha One Gen II	49	Trailer Clips	102
Gearcase Rebuilding Kit - MR / Alpha One	50	Trim Cyl. & Hydraulic Hoses Breakdown - Alpha One Gen II	103
Gearcase Seal & Bearing Kits with Gears	51	Trim Cyl. & Hydraulic Hoses Breakdown - R / MR / Alpha One ..	104
Gearcase Seal & Bearing Kits without Gears	52	Trim Cyl. & Hydraulic Hoses Breakdown - Bravo	105
Gearcase Seal Kits	53	Trim Cyl. & Hydraulic Hoses Breakdown - MC-1 (1970-1980)	106
Gearcase Shim Kits	54	Trim Cylinder & Hydraulic Hose Components	107
Gearcase Shim Kit Application Char	55	Power Trim Ram Bushings, Pins & Kits - Alpha One Gen II	108
Gearcase O-Rings & Seal Applications	56	Power Trim Ram Bushings, Pins & Kits - R / MR / Alpha One	109
Gearcase Gear Sets - Alpha One Gen II	57	Power Trim Ram Bushings, Pins & Kits - Bravo	110
Gearcase Gear Sets - MC-1 / R / MR / Alpha One	58	Power Trim Ram Bushings, Pins & Kits - MC-1 (1970-1982)	111
Gearcase Gear Set, Clutch & Repair Kit Applications	59	Power Trim Ram Bushings, Pins & Kits Application Guide	112
Gearcase Bearings & Applications	60-62	Anodes	Section 7
Bearing Carrier Assembly & Applications	63	Aluminum Anodes & Anode Kits	114-115
Prop Shafts, Drive Shafts, Shift Shafts & Applications	64	Tools	Section 8
Gearcase Components	65-66	Service Tools	118-120
Prop Hardware & Prop Tools	67	Prop Wrench Kits & Prop Wrenches	121
Seawater Pumps	Section 4		
Seawater Pump Assembly - Belt Driven	70		
Seawater Pump - Bearing Housing Assemblies	70		
Seawater Pump Service Kits	70		
Seawater Pump Assemblies	71		

TABLE OF CONTENTS

MERCUISER ENGINE

Recirculating Water Pumps Section 9

Recirculating Water Pumps 124

Thermostats, Thermostat Gaskets, Thermostat Housings Section 10

Thermostat Housing Kits 126

Thermostat Housings 127

Thermostat Housing Components 128

Thermostats 129

Thermostat Kits 129

Thermostat Gaskets 130

Thermostat Application Guide 131-134

Exhaust Bellows, Exhaust Gaskets, Exhaust Flapper Valves Section 11

Exhaust Bellows 136

Exhaust Flapper Valves 136

Exhaust Manifold Gasket Kits 137

Exhaust Manifold Gaskets 138

Exhaust Elbow Mounting Gaskets 139

End Cap Gaskets 139

Exhaust Manifold Application Guide 140-142

Fuel Filters, Carburetor Parts, Fuel Pumps Section 12

Water/Fuel Separators 144-145

Water/Fuel Separator Kits 146

Fuel Filters 147

Fuel Filter Kits 147

Carburetor Kits 148

Carburetor Mounting Gaskets 149

Carburetor Needle and Seats 150

Carburetor Floats 150

Carburetor Parts Application Guide 151-154

Vapor Separator Tank O-ring Kit & Applications 155

Fuel Pump Gaskets 155

Ignition Components Section 13

Thunderbolt IV/V Distributors - Complete 158

Thunderbolt IV/V Distributors - Breakdown 158

Thunderbolt IV/V Distributor Caps & Rotors 159

Delco EST Distributor Caps and Rotors 160

Delco EST Module/Sensor/Coils 161

Thunderbolt/Delco EST Parts Application Guide 162-165

Ignition & Oil Filled Coils 166

GLM to OEM (Points, Condensers, Rotors & Caps) 166

Ignition Components - By Distributors 167

Complete Tune-Up Kits - By Distributors 168

Ignition Components 169-170

Ignition Application Guide 171-177

Electrical Solenoids, Voltage Regulators Section 14

Starter and Slave Solenoids 180

Voltage Regulators 181

Gaskets, Seals & Engine Kits Section 15

Head Gaskets 184

Intake Manifold Gaskets 185

Valve Cover Gaskets 185

Lifter Side Cover Gaskets 185

Oil Pan Gaskets 186

Rear Main Oil Seals - Crankshaft 186

Gaskets 187

Timing Chain Cover Gasket Kits 188

Timing Chain Cover Gaskets 188

Cylinder Head & Intake Manifold Gasket Kits 189

Engine Overhaul Gasket Kits 190-191

Engine Gaskets and Seals Application Guide 192-195

REFERENCE

Oil Seal Shaft & Bore Sizes 196

Oil Seals & Drive Shaft Housing Seals Application 197

O-Ring Sizes 198

Model/Year/Serial Number 199-201

WARANTY

Warranty 203-205



Section 1

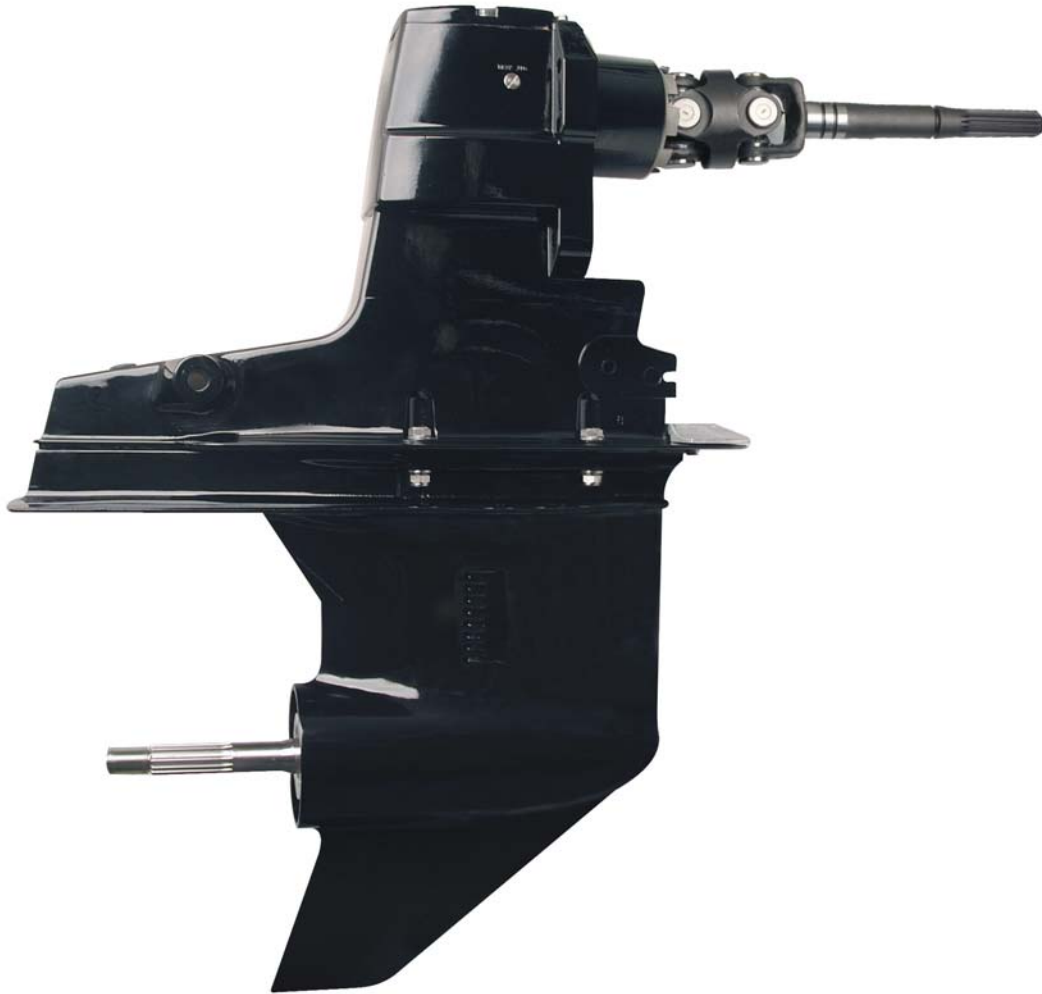
Replacement Sterndrives Complete

<i>Alpha One Generation II Complete</i>	<i>6</i>
<i>MR/Alpha One Sterndrives Complete</i>	<i>7</i>
<i>Sterndrive Unit Application Guide</i>	<i>8</i>

MerCruiser

COMPLETE DRIVE SHAFT / GEAR HOUSING ASSEMBLY

Alpha One Generation II



GLM	OEM	Ratio	Year	Engine
20600	5-5121200TP	1.47 (20/22)	1991 & Up	5.0L EFI / 5.7L 350 MAG
20700	5-5121300TP	1.62 (24/24)	1991 & Up	4.3L H / 4.3L EFI 5.0L
20800	5-5121400TP	1.81 (17/19)	1991 & Up	4.3L / 4.3LX
20900	5-5121500LP	1.94 (20/24)	1991 & Up	3.0L / 3.0LX

MerCruiser

COMPLETE DRIVE SHAFT / GEAR HOUSING ASSEMBLY

MR / Alpha One



GLM	OEM	Ratio	Engine
20100	5-5010147CP	1.47 (20/22)	Most V8 Under 300HP
20200	5-5010162CP	1.62 (24/24)	6 Cyl. Inline
20300	5-5010181CP	1.81 (17/19)	V6 & 470/485
20400	5-5010194CP	1.94 (20/24)	4 Cyl. Inline
20500	5-5010130CP	1.30 (16/20)	V8

MerCruiser

STERN DRIVE UNIT APPLICATION

Model	Ratio	Year	Serial No. Range	Stern Drive Unit Comp.	Lower Grcs Hsg.	Lower Grcs Comp.	Lower Grcs Rubild Kit	Upper D/S Hsg.	Upper D/S Hsg. Comp.	Upper D/S Rebuild Kit
120/140	1.98	1967-1969	2062141-2791956	N.L.A.	17000	N.L.A.	-	N.L.A.	N.L.A.	N.L.A.
120/140	1.98	1970-1982	2791957-6225576	20400	17000	18100	-	19000	19400	19490/91
470/485	1.84	1976-1982	4208730-6225575	20300	17000	18100	-	19000	19300	19390/91
160	1.65	1967-1969	2065190-2762441	N.L.A.	17000	N.L.A.	-	N.L.A.	N.L.A.	N.L.A.
165	1.65	1970-1981	2763442-Up	20200	17000	18100	-	19000	19200	19290/91
888	1.50	1971-1977	3106717-Up	20100	17000	18100	-	19000	19100	19190/91
225-S	1.50	1974	3856268-4200499	20100	17000	18100	-	19000	19100	19190/91
233	1.32	1975-1977	4200500-Up	20500	17000	18100	-	19000	19500	-
898/228/260	1.50	1977-1982	4782330-6225576	20100	17000	18100	-	19000	19100	19190/91
250	1.32	1977	4791300-4898729	20500	17000	18100	-	19000	19500	-
R	1.98	1983	6225577-Up	20400	17000	18100	-	19000	19400	19490/91
R	1.65	1983	6225577-Up	20200	17000	18100	-	19000	19200	19290/91
R	1.84	1983	6225577-Up	20300	17000	18100	-	19000	19300	19390/91
R	1.50	1983	6225577-Up	20100	17000	18100	-	19000	19100	19190/91
R	1.32	1983	6225577-Up	20500	17000	18100	-	19000	19500	-
MR/Alpha One	1.98	1984-1990	6225577-Up	20400	18000	18100	18190	19000	19400	19490/91
MR/Alpha One	1.65	1984-1990	6225577-Up	20200	18000	18100	18190	19000	19200	19290/91
MR/Alpha One	1.84	1984-1990	6225577-Up	20300	18000	18100	18190	19000	19300	19390/91
MR/Alpha One	1.50	1984-1990	6225577-Up	20100	18000	18100	18190	19000	19100	19190/91
MR/Alpha One	1.32	1984-1990	6225577-Up	20500	18000	18100	18190	19000	19500	-
MR/Alpha One (CR)	1.98	1984-1990	6225577-Up	-	-	-	-	19000	19400	19490/91
MR/Alpha One (CR)	1.65	1984-1990	6225577-Up	-	-	-	-	19000	19200	19290/91
MR/Alpha One (CR)	1.84	1984-1990	6225577-Up	-	-	-	-	19000	19300	19390/91
MR/Alpha One (CR)	1.50	1984-1990	6225577-Up	-	-	-	-	19000	19100	19190/91
Alpha One SS	1.50	1986-1989	6225577-Up	N/A	-	-	-	N.L.A.	-	-
Alpha One SS	1.32	1986-1989	0A545004-Up	N/A	-	-	-	N.L.A.	N.L.A.	-
Alpha One Gen II	2.40	1991-Up	0A545004-Up	-	28000	-	-	29000/20	19900	29490/91
Alpha One Gen II	2.00	1991-Up	0A545004-Up	-	28000	-	-	29000/20	19700	29290/91
Alpha One Gen II	1.98/1.94	1991-Up	0A545004-Up	20900	28000	18300	25190/91/93	29000/20	19900	29490/91
Alpha One Gen II	1.65/1.62	1991-Up	0A545004-Up	20700	28000	18300	25190/91/92	29000/20	19700	29290/91
Alpha One Gen II	1.84/1.81	1991-Up	0A545004-Up	20800	28000	18300	25190/91/93	29000/20	19800	29390/91
Alpha One Gen II	1.50/1.47	1991-Up	0A545004-Up	20600	28000	18300	25190/91/92	29000/20	19600	29190/91
Alpha One Gen II (CR)	1.98/1.94	1991-Up	0A545004-Up	-	28000	-	-	29000/20	19900	29490/91
Alpha One Gen II (CR)	1.65/1.62	1991-Up	0A545004-Up	-	28000	-	-	29000/20	19700	29290/91
Alpha One Gen II (CR)	1.84/1.81	1991-Up	0A545004-Up	-	28000	-	-	29000/20	19800	29390/91
Alpha One Gen II (CR)	1.50/1.47	1991-Up	0A545004-Up	-	28000	-	-	29000/20	19600	29190/91

Section 2

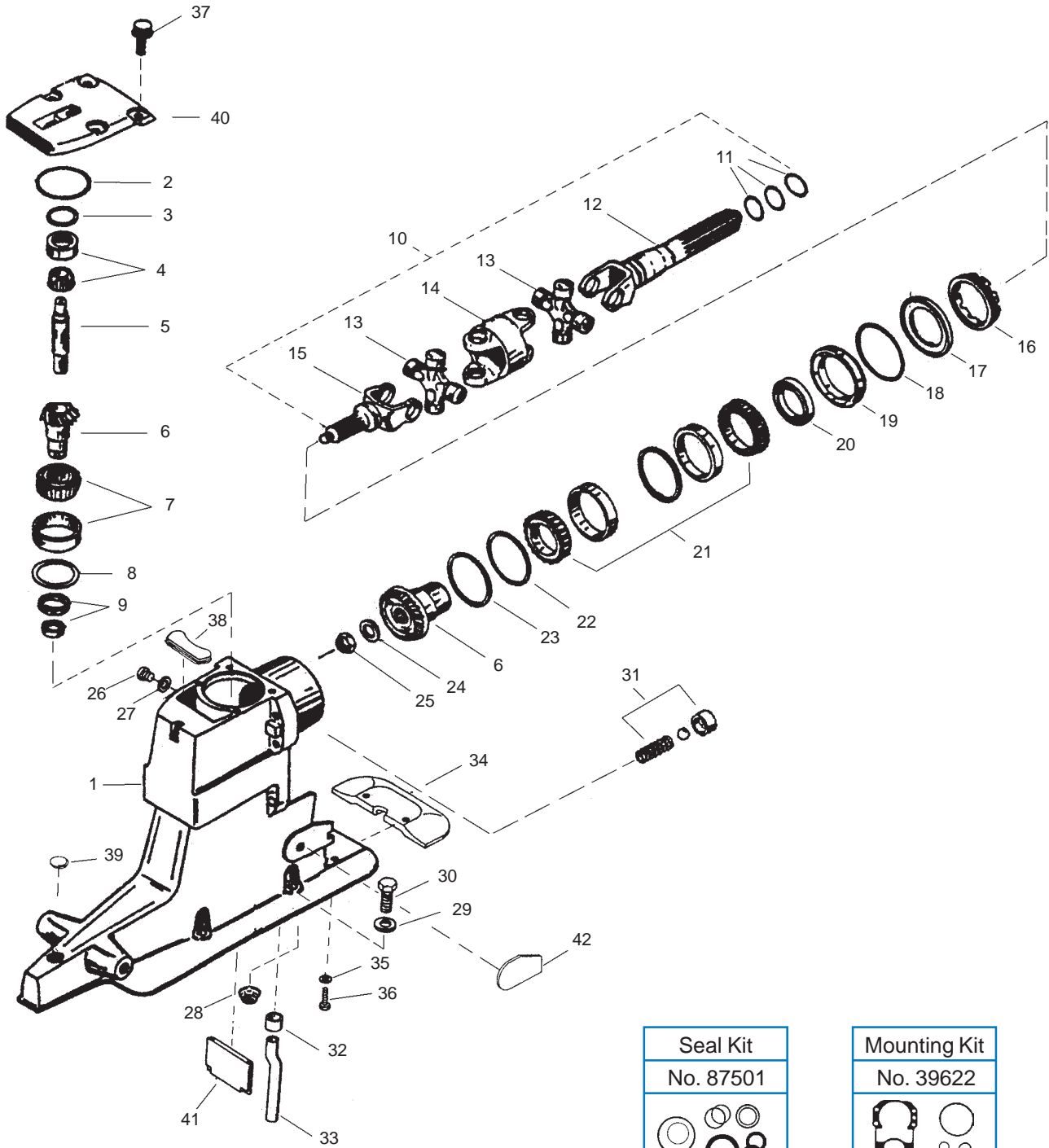
Drive Shaft Housing (Upper)

<i>Drive Shaft Housing Breakdown - Alpha One Gen II.....</i>	10-13
<i>Drive Shaft Housing Breakdown - R/MR/Alpha One</i>	14-15
<i>Drive Shaft Housing Breakdown - Bravo</i>	16-17
<i>Complete Drive Shaft Housing Assemblies</i>	18
<i>Drive Shaft Housings.....</i>	18
<i>Drive Shaft Housing Service Kits - Alpha One Gen II.....</i>	19-20
<i>Drive Shaft Housing Service Kits - R / MR / Alpha One</i>	21
<i>Drive Shaft Housing Gear Sets</i>	22
<i>Drive Shaft Housing Gear Set Applications.....</i>	23
<i>Drive Shaft Housing Seal Kits</i>	24
<i>Mounting Kits</i>	24
<i>Drive Shaft Housing Shim Kits</i>	25
<i>Stern Drive Shim Applications</i>	26
<i>Drive Shaft Seal & Bearing Applications</i>	27
<i>Drive Shaft Housing Bearings & Applications.....</i>	28
<i>Yoke & U-Joint Service Kits.....</i>	29
<i>Universal Joints & Drive Shaft Housing Yokes</i>	30
<i>Universal Joint Applications</i>	31
<i>Drive Shaft Housing Components</i>	32-33

MerCruiser

DRIVE SHAFT HOUSING BREAKDOWN - ALPHA ONE GEN II

Serial No. OD469859-0K999999
(1991-1997)



43

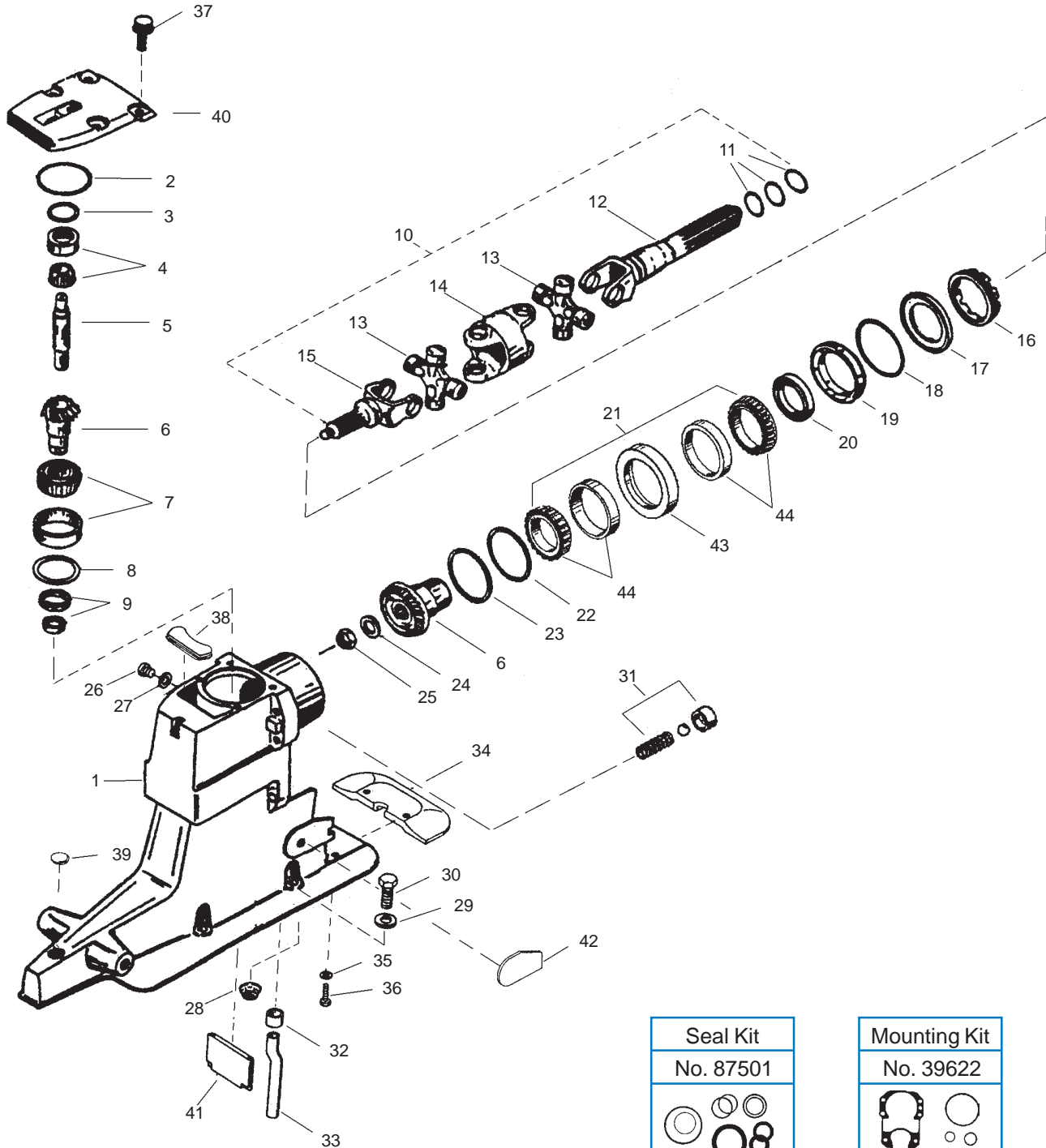


44

MerCruiser

DRIVE SHAFT HOUSING BREAKDOWN - ALPHA ONE GEN II

Serial No. OL100040 & Up
(1998 & Up)



Seal Kit
No. 87501

45

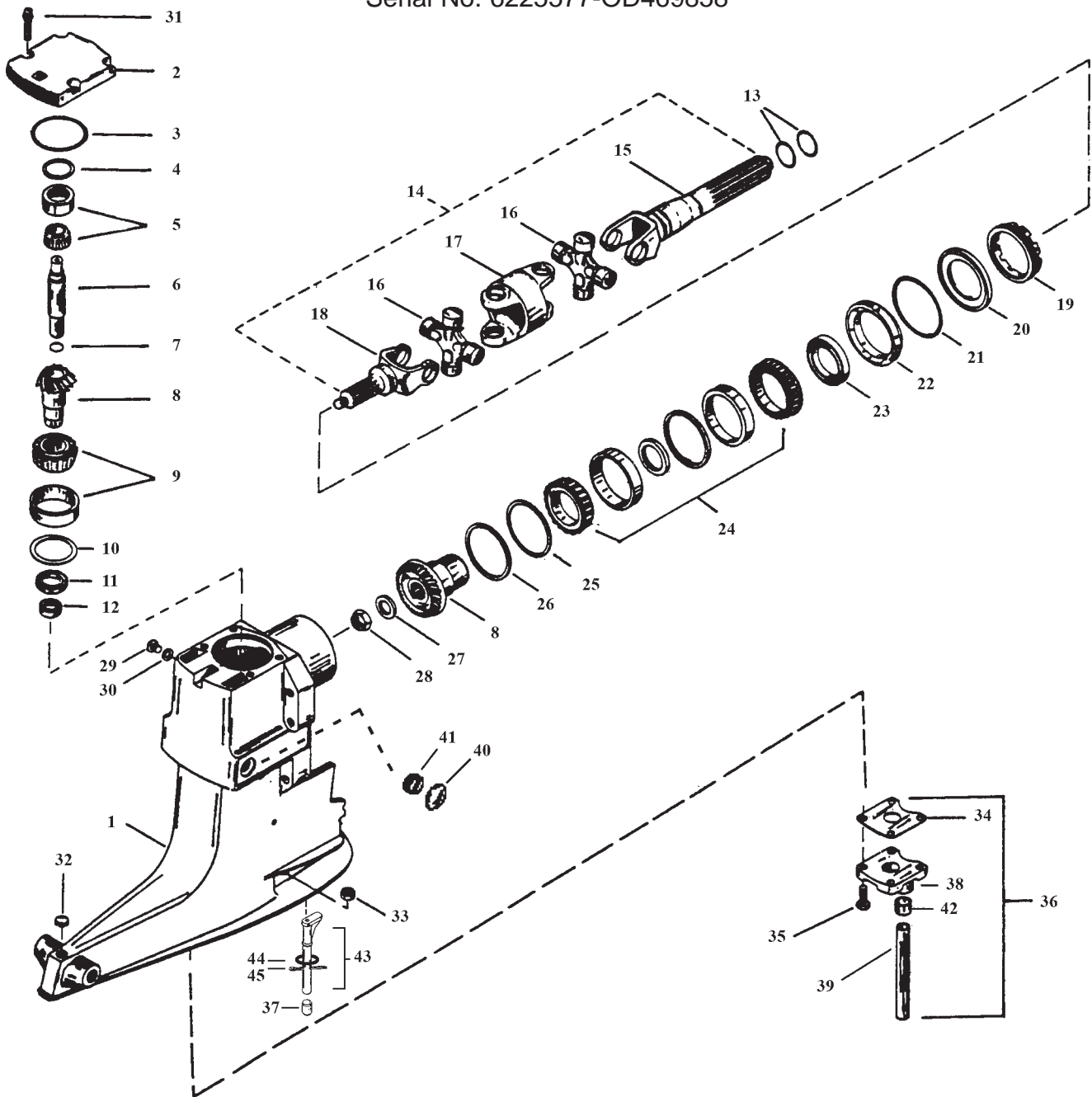
Mounting Kit
No. 39622

46

MerCruiser

DRIVE SHAFT HOUSING BREAKDOWN - R / MR / ALPHA ONE

Serial No. 6225577-OD469858



Seal Kit
No. 87500

46

Mounting Kit
No. 39622

47

Mounting Kit
No. 39590

48

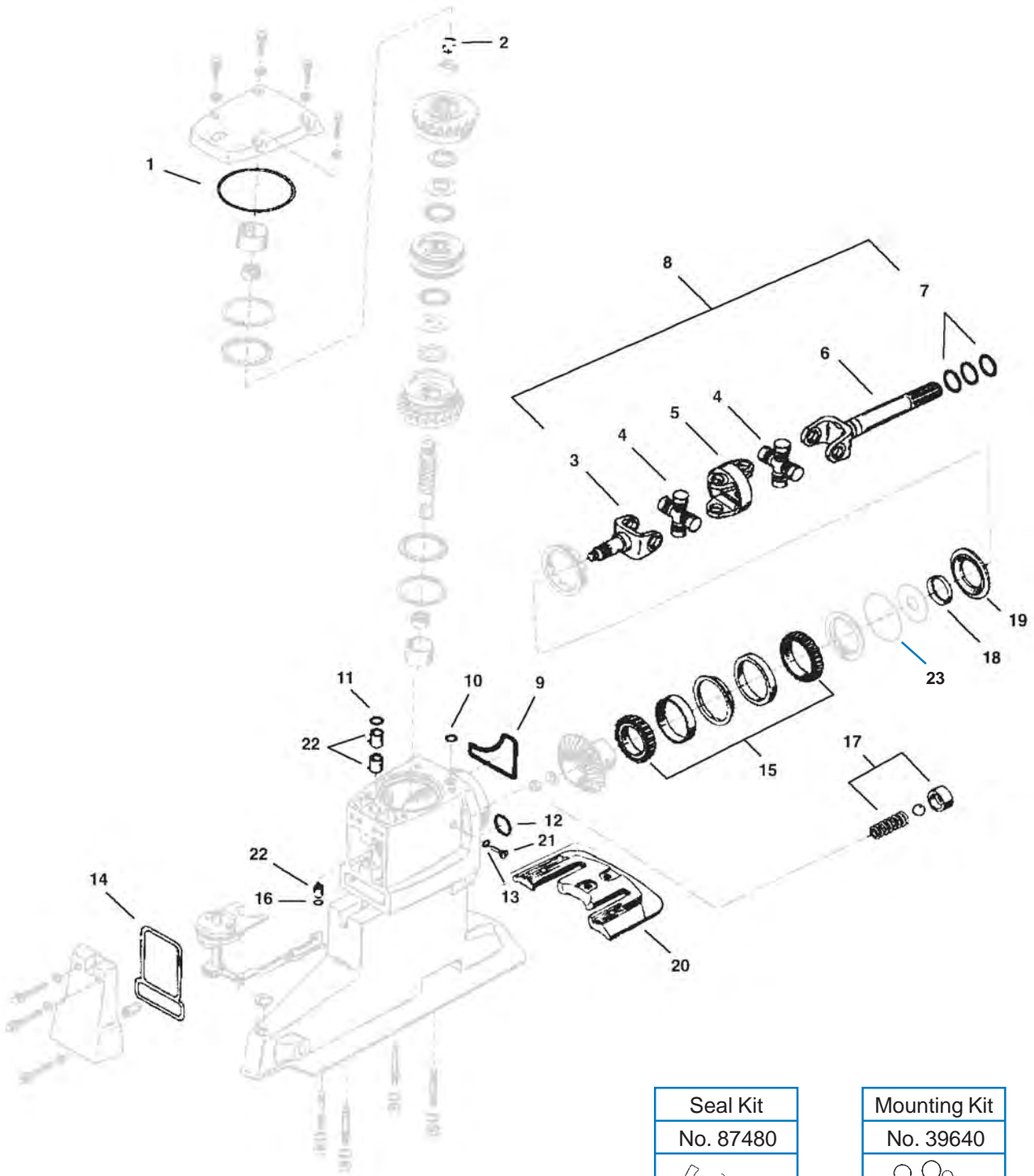
MerCruiser

DRIVE SHAFT HOUSING BREAKDOWN - R / MR / ALPHA ONE

GLM No.	Ref No.	OEM No.	Description
19000	1	1547-9412A18	Drive Shaft Housing Assembly
28400	2	94998A4	Cover Assembly
80420	3◆	25-32546	O-Ring
23260	4	15-45691A1	Shim (For No. 21510 Bearing)
23261	4	15-32563A1	Shim (For No. 21511 Bearing)
21510	5	31-61100A1	Bearing Assembly (O.D. 1-15/16)
21511	5	31-32575A1	Bearing Assembly (O.D. 1-25/32)
11130	6	45-55796	Drive Shaft
80190	7◆	25-55801	O-Ring
11210	8	43-18410A4	Gear Set (1.50 or 1.47 Ratio) (20-22)
11220	8	43-45814A5	Gear Set (1.65 or 1.62 Ratio) (24-24)
11230	8	43-75325A3	Gear Set (1.84 or 1.81 Ratio) (17-19)
11240	8	43-55778A3	Gear Set (1.98 or 1.94 Ratio) (20-24)
21560	9	31-32573A1	Roller Bearing (1.50 Ratio)
21540	9	31-35990A1	Roller Bearing (1.65, 1.84, 1.98 Ratio)
21550	9	31-66818A1	Roller Bearing (1.32 Ratio)
23270	10	15-36178A1	Shim
85020	11◆	26-32511	Oil Seal
85060	12◆	26-96503	Oil Seal
81180	13◆+•	25-25439	O-Ring
28050	14	814819A2	U-Joint Assembly
28315	15	814819A3	Yoke Assembly
28030	16	75832T1	U-Joint
28100	17	39383T	Socket
28310	18	46020-1	Yoke
28350	19	816811-1	Retainer
28390	20	35983	Ring
82380	21◆	25-70937	O-Ring
28370	22	66081A2	Carrier Assembly
85030	23◆	26-823894	Oil Seal
21520	24	31-35988A2	Roller Bearing (All Ratio Except 1.32)
21530	24	31-35988A3	Roller Bearing (1.32 Ratio)
23280	25	15-35980A1	Shim
28380	26	15-71013	Shim
28330	27	12-45810	Washer
28360	28	11-22339	Nut
22420	29	10-79953Q2	Screw
31170	30◆	12-19183-2	Washer
28300	31	10-98794	Screw
21890	32	19-47579	Plug
21170	33	11-13439-1	Nut
31150	34◆	27-55810-1	Gasket
22440	35	10-28668	Screw
12200	36	42724A3	Water Pocket Cover Kit
21423	37	23-32632	Bushing
85150	38	26-36557	Grommet
12202	39	32-54236	Water Tube
22031	40	19-42682	Welch Plug (1-1/4 O.D.)
22032	41	22-42861-1	Pipe Plug
85150	42◆	26-36557	Grommet
21421	43	62104-1	Intermediate Shift Shaft
21422	44	12-32666	Washer
22100	45	18-32665	Cotter Pin
87500	46	26-32511A1	Gearcase Seal Kit
39622	47	27-94996T2	Mounting Kit
39590	48	27-64818T4	Mounting Kit
◆ Included in Kit No. 87500			
+ Included in Kit No. 39622			
• Included in Kit No. 39590			

MerCruiser

DRIVE SHAFT HOUSING BREAKDOWN - BRAVO



Seal Kit
No. 87480

24

Mounting Kit
No. 39640

25

MerCruiser

COMPLETE DRIVE SHAFT HOUSING ASSEMBLY

Alpha One Generation II

No. 19600

OEM: 1547-861063A12
Ratio: 20/22 (1.47)
For 5.0L EFI, 5.7L
& 350 MAG

No. 19700

OEM: 1547-861063A10
Ratio: 24/24 (1.62/2.00)
For 4.3L EFI, 4.3LH
& 5.0L



No. 19800

OEM: 1547-861063A8
Ratio: 17/19 (1.81)
For 4.3L & 4.3LX

No. 19900

OEM: 1547-861063A6
Ratio: 20/24 (1.94/2.40)
For 3.0L & 3.0LX

R / MR / Alpha One (1990 - Before)

No. 19100

OEM: 1547-9412A20
Ratio: 20/22 (1.50 / 1.47)
For Most V8 under 300HP

No. 19200

OEM: 1547-9412A21
Ratio: 24/24 (1.65/1.62)
For Inline 6-Cyl.

No. 19300

OEM: 1547-9412A22
Ratio: 17/19 (1.84/1.81)
For V6 & 470 / 485



No. 19400

OEM: 1547-9412A23
Ratio: 20/24 (1.98/1.94)
For Inline 4-Cyl.

No. 19500

OEM: 1547-9412A19
Ratio: 16/20 (1.32/1.30)
For V8

DRIVE SHAFT HOUSINGS

Alpha One Gen II (1998 & Up)

No. 29020

OEM: 1547-861063A4
Serial No. OL100040-Up



Alpha One Gen II (1991-1997)

No. 29000

OEM: 1547-815930A7
Serial No. OD469859-OK999999



R / MR / Alpha One

No. 19000

OEM: 1547-9412A18



See Page 8 For Applications

MerCruiser

DRIVE SHAFT HOUSING SERVICE KITS - ALPHA ONE GEN II (1998 & Up)

No. 11237

OEM: 43-803105T1
Ratio 17/19 (1.81)



Kit contains:

GLM	OEM	ITEM
11233	43-853643A2	Gear Set
21511	31-32575T1	Bearing
21522	31-30894A5	Bearing
21540	31-35990A1	Bearing
23261	15-32563A1	Shim
23270	15-36178A1	Shim
23280	15-35980A1	Shim
39622	27-94996T2	Gasket Kit
87501	26-88397A1	Seal Kit

No. 11217

OEM: 43-803103T1
Ratio 20/22 (1.47)



Kit contains:

GLM	OEM	ITEM
11213	N/A	Gear Set
21511	31-32575T1	Bearing
21522	31-30894A5	Bearing
21560	31-32573A1	Bearing
23261	15-32563A1	Shim
23270	15-36178A1	Shim
23280	15-35980A1	Shim
39622	27-94996T2	Gasket Kit
87501	26-88397A1	Seal Kit

No.11247

OEM: 43-803106T1
Ratio 20/24 (2.4/1.94)



Kit contains:

GLM	OEM	ITEM
11244	43-853642A2	Gear Set
21511	31-32575T1	Bearing
21522	31-30894A5	Bearing
21540	31-35990A1	Bearing
23261	15-32563A1	Shim
23270	15-36178A1	Shim
23280	15-35980A1	Shim
39622	27-94996T2	Gasket Kit
87501	26-88397A1	Seal Kit

No. 11227

OEM: 43-803104T1
Ratio 24/24 (2.0/1.62)



Kit contains:

GLM	OEM	ITEM
11222	43-853640A2	Gear Set
21511	31-32575T1	Bearing
21522	31-30894A5	Bearing
21540	31-35990A1	Bearing
23261	15-32563A1	Shim
23270	15-36178A1	Shim
23280	15-35980A1	Shim
39622	27-94996T2	Gasket Kit
87501	26-88397A1	Seal Kit

MerCruiser

DRIVE SHAFT HOUSING SERVICE KITS - ALPHA ONE GEN II (1991-1997)

No. 11236

OEM: 43-803120T1
Ratio 17/19 (1.84/1.81)



Kit contains:

GLM	OEM	ITEM
11230	43-75325A2	Gear Set
21510	31-61100A1	Bearing
21511	31-32575T1	Bearing
21520	31-35988A2	Bearing
21540	31-35990A1	Bearing
23260	15-45691A1	Shim
23261	15-32563A1	Shim
23270	15-36178A1	Shim
23280	15-35980A1	Shim
39622	27-94996T2	Gasket Kit
87501	26-88397A1	Seal Kit

No. 11216

OEM: 43-803102T1
Ratio 20/22 (1.50/1.47)



Kit contains:

GLM	OEM	ITEM
11210	43-18411A2	Gear Set
21510	31-61100A1	Bearing
21511	31-32575T1	Bearing
21520	31-35988A2	Bearing
23260	15-45691A1	Shim
23261	15-32563A1	Shim
23270	15-36178A1	Shim
23280	15-35980A1	Shim
39622	27-94996T2	Gasket Kit
87501	26-88397A1	Seal Kit

No. 11246

OEM: 43-803118T1
Ratio 20/24 (1.98/1.94)



Kit contains:

GLM	OEM	ITEM
11240	43-55778A3	Gear Set
21510	31-61100A1	Bearing
21511	31-32575T1	Bearing
21520	31-35988A2	Bearing
21540	31-35990A1	Bearing
23260	15-45691A1	Shim
23261	15-32563A1	Shim
23270	15-36178A1	Shim
23280	15-35980A1	Shim
39622	27-94996T2	Gasket Kit
87501	26-88397A1	Seal Kit

No. 11226

OEM: 43-803119T1
Ratio 24/24 (1.65/1.62)



Kit contains:

GLM	OEM	ITEM
11220	43-45814A5	Gear Set
21510	31-61100A1	Bearing
21511	31-32575T1	Bearing
21520	31-35988A2	Bearing
21540	31-35990A1	Bearing
23260	15-45691A1	Shim
23270	15-36178A1	Shim
23280	15-35980A1	Shim
39622	27-94996T2	Gasket Kit
87501	26-88397A1	Seal Kit

MerCruiser

DRIVE SHAFT HOUSING SERVICE KITS - R / MR / ALPHA ONE

No. 11215

OEM: 43-803116T1
Ratio 20/22 (1.50/1.47)



Kit contains:

GLM	OEM	ITEM
11210	43-18411A2	Gear Set
87500	26-32511A1	Seal Kit
31130	27-64818	Gasket
39620	27-94996A1	Gasket Kit
21560	31-32573A1	Bearing
21520	31-35988A2	Bearing
21510	31-61100A1	Bearing
23260	15-45691A1	Shim
23270	15-36178A1	Shim
23280	15-35980A1	Shim

No. 11225

OEM: 43-803112T1
Ratio 24/24 (1.65/1.62)



Kit contains:

GLM	OEM	ITEM
11220	43-45814A5	Gear Set
87500	26-32511A1	Seal Kit
31130	27-64818	Gasket
39620	27-94996A1	Gasket Kit
21520	31-35988A2	Bearing
21540	31-35990A1	Bearing
21510	31-61100A1	Bearing
23260	15-45691A1	Shim
23270	15-36178A1	Shim
23280	15-35980A1	Shim

No. 11235

OEM: 43-803114T1
Ratio 17/19 (1.84/1.81)



Kit contains:

GLM	OEM	ITEM
11230	43-75325A3	Gear Set
87500	26-32511A1	Seal Kit
31130	27-64818	Gasket
39620	27-94996A1	Gasket Kit
21520	31-35988A2	Bearing
21540	31-35990A1	Bearing
21510	31-61100A1	Bearing
23260	15-45691A1	Shim
23270	15-36178A1	Shim
23280	15-35980A1	Shim

No. 11245

OEM: 43-803101T1
Ratio 20/24 (1.98/1.94)



Kit contains:

GLM	OEM	ITEM
11240	43-55778A3	Gear Set
87500	26-32511A1	Seal Kit
31130	27-64818	Gasket
39620	27-94996A1	Gasket Kit
21520	31-35988A2	Bearing
21540	31-35990A1	Bearing
21510	31-61100A1	Bearing
23260	15-45691A1	Shim
23270	15-36178A1	Shim
23280	15-35980A1	Shim

MerCruiser

DRIVE SHAFT HOUSING GEAR SETS

No. 11210

OEM: 43-18411A2
Ratio 20/22 (1.50/1.47)
Econo. set with No. 21560 bearing only

Heavy Duty



For Most V8 Drives
MC-1, R, MR, Alpha One & Gen II
(1970-1997)

No. 11214

OEM: 43-853641A2
Ratio 1.47
Econo. set with No. 21560 bearing only



For Most V8 Drives
Alpha One Gen II
(1998 & up)

No. 11212

OEM: 43-18411A4
Ratio 20/22 (1.50/1.47)

Heavy Duty



(1970-1997)

No. 11220

OEM: 43-45814A5
Ratio 24/24
(1.65/1.62)



(1970-1997)

No. 11222

OEM: 43-853640A2
Ratio 24/24
(1.62/2.0)



(1998 & up)

No. 11230

OEM: 43-75325A3
Ratio 17/19
(1.84/1.81)



(1970-1997)

No. 11233

OEM: 43-853643A2
Ratio 17/19
(1.81)



(1998 & Up)

No. 11240

OEM: 43-55778A3
Ratio 20/24
(1.98/1.94)



(1970-1997)

No. 11244

OEM: 43-853642A2
Ratio 20/24
(1.94/2.4)



(1998 & Up)

MerCruiser

DRIVE SHAFT HOUSING GEAR SET APPLICATION GUIDE

Model	Ratio	Year	Serial No. Range	Drive Gear Gear Kit	Upper Gear Housing Service Kit
120/140	1.98	1970-1982	2791957-6225576	11240	11240
470/485	1.84	1976-1982	4208730-6225575	11230	11235
165	1.65	1970-1981	2763442-Up	11220	11235
888	1.50	1971-1977	3106717-Up	11210 / 11212	11225
225-S	1.50	1974	3856268-4200499	11210 / 11212	11215
898/228	1.50	1977-1982	4782330-6225576	11210 / 11212	11215
260	1.50	1978-1982	4898730-6225576	11210 / 11212	11215
R/MR/Alpha One	1.98	1983-1990	6225577-Up	11240	11245
R/MR/Alpha One	1.84	1983-1990	6225577-Up	11230	11235
R/MR/Alpha One	1.65	1983-1990	6225577-Up	11220	11225
R/MR/Alpha One	1.50 HD	1983-1990	6225577-Up	11210 / 11212	11215
Alpha One SS	1.50	1986-1989	0A545004-Up	11210 / 11212	11215
Alpha One Gen II	2.40	1991-1997	0D469859-0K999999	11240	11246
Alpha One Gen II	1.98/1.94	1991-1997	0D469859-0K999999	11240	11246
Alpha One Gen II	1.65/1.62	1991-1997	0D469859-0K999999	11220	11226
Alpha One Gen II	1.84/1.81	1991-1997	0D469859-0K999999	11230	11236
Alpha One Gen II	1.50/1.47	1991-1997	0D469859-0K999999	11210 / 11212	11216
Alpha One Gen II	2.40/1.94	1998-Up	OL000040-Up	11244	11247
Alpha One Gen II	1.81	1998-Up	OL000040-Up	11233	11237
Alpha One Gen II	2.00/1.62	1998-Up	OL000040-Up	11222	11227
Alpha One Gen II	1.47	1998-Up	OL000040-Up	11214	11217

MerCruiser

SEAL KITS DRIVE SHAFT HOUSING

No. 87501

OEM: 26-88397A1

Kit contains:

GLM	OEM	ITEM
12831	26-88397	Grommet
31170 (2)	12-19183-3	Gasket
80420	25-32546	O-ring
81180 (2)	25-25439	O-ring
82150	25-35027	O-ring
82380	25-70937	O-ring
85011 (2)	26-66302	Oil Seal
85030	26-823894	Oil Seal
85140	26-45577-1	Seal



Alpha One Gen II

No. 87480

OEM: 26-16709A2



Kit contains:

GLM	OEM	ITEM	GLM	OEM	ITEM
12920 (2)	97351	Keeper	82380	25-70937	O-ring
12930	27-17997A1	Spring Kit	82390	25-47254	O-ring
31170 (2)	12-19183-3	Gasket	82530	25-805197	O-ring
81030	25-29619	O-ring	83465	25-69201	O-ring
80180 (2)	25-62705	O-ring	85820	26-12709	Seal
81180 (2)	25-25439	O-ring	86310	16755Q1	Seal
81270	25-457101	O-ring	86720	12708	Seal
81570	25-97387	O-ring	86730	26-807006	Oil Seal
82150	25-35027	O-ring			

Bravo I, II, III, X, XR, XZ

No. 87500

OEM: 26-32511A1

Kit contains:

GLM	OEM	ITEM	GLM	OEM	ITEM
12830	26-38970	Grommet	82380	25-70937	O-ring
31150	27-55810-1	Gasket	85020	26-32511	Oil Seal
31170 (2)	12-19183-3	Gasket	85030	26-823894	Oil Seal
80190	25-55801	O-ring	85060	26-96503-1	Oil Seal
80420	25-32546	O-ring	85140	26-45577-1	Seal
81180	25-25439	O-ring	85150	26-36557	Grommet



R / MR & Alpha One

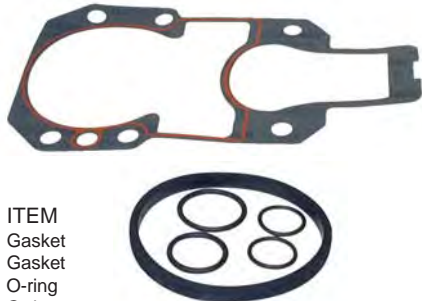
MOUNTING KITS

No. 39622

OEM: 27-94996T2

Kit contains:

GLM	OEM	ITEM
31141	27-94996-2	Gasket
31160	27-35982	Gasket
81180 (2)	25-25439	O-ring
82150	25-35027	O-ring
82200	25-33504	O-ring



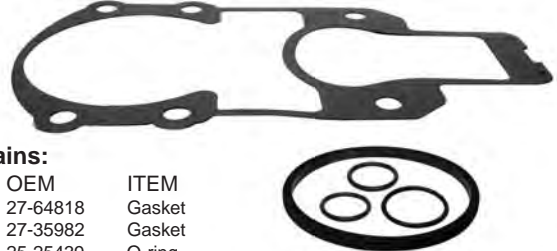
Alpha One Gen II (1991 & Up)
R / MR / Alpha One

No. 39590

OEM: 27-64818T4

Kit contains:

GLM	OEM	ITEM
31130	27-64818	Gasket
31160	27-35982	Gasket
81180 (2)	25-25439	O-ring
82200	25-33504	O-ring



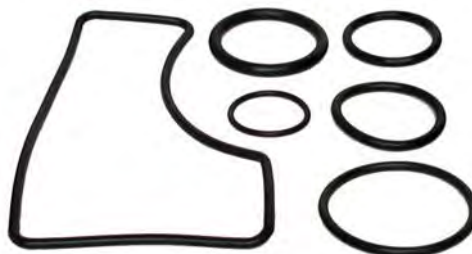
R / MR / Alpha One

No. 39640

OEM: 16755Q1

Kit contains:

GLM	OEM	ITEM
80180	25-62705	O-ring
81180 (2)	25-25439	O-ring
81270	25-457101	O-ring
82150	25-35027	O-ring
86310	16755Q1	Seal



Bravo I, II, III, X, XR, XZ

MerCruiser

SHIM KITS DRIVE SHAFT HOUSING

No. 23260

OEM: 15-45691A1
(For Bore
Size 1.9375)

No. 23261

OEM: 15-32563A1
(For Bore
Size 1.7813)



Top Bearing Top Cover

No. 23280

OEM:15-35980A1



Double Bearing Shims

No. 28380

SPACER
OEM: 15-71013



Double Bearing Spacer

No. 23270

OEM: 15-36178A1



Lower Bearing Shims

MerCruiser

STERN DRIVE SHIM APPLICATION

Model	Year	Serial No. Range	Fwd Gear Bearing Shim Kit	G/C D/S Upper Bearing Shim Kit	Rev. Gear Shim	Shim Kit Driven Gear	Shim Kit Drive Gear	Shim Kit Upper Cover	Spacer Shim Driven Gear
I	1963	1534570-1536617	-	-	-	N.L.A.	N.L.A.	23261	N/A
I	1963	1536618-1684187	-	23300	-	N.L.A.	N.L.A.	23261	N/A
IA / IB / IC & EZ Shift	1964-1966	1684188-2065186	23220	23300	-	23270	23280	23261	N/A
120 / 140	1967	2062141-2187468	23220	23300	-	23270	23280	23270	28380
120 / 140	1967-1969	2187469-2791956	23220	23300	-	23270	23280	23261	28380
120 / 140	1970-1971	2791957-3134193	23220	23300	-	23270	23280	N/A	28380
120 / 140	1971-1977	3213658-4893634	23220	23300	23290	23270	23280	23260	28380
120 / 140	1978-1982	4893635-6225576	23220	23300	-	23270	23280	23260	28380
470	1976-1977	4208730-4893934	23220	23300	23290	23270	23280	23260	28380
470 / 485	1978-1982	4893835-6225575	23220	23300	-	23270	23280	23260	28380
160	1967	2065190-2182197	23220	23300	-	23270	23280	23270	28380
160	1967-1969	2182198-2763441	23220	23300	-	23270	23280	23261	28380
165	1970-1971	2763442-3134193	23200	23300	-	23270	23280	N/A	28380
165	1971-1977	3213658-4890459	23220	23300	23290	23270	23280	23260	28380
165	1978-1981	4890460 & Up	23220	23300	-	23270	23280	23260	28380
888	1971-1972	3106717-3472477	23220	23300	-	23270	23280	N/A	28380
888	1973-1977	3472478 & Up	23220	23300	-	23270	23280	23260	28380
225-S	1974	3856268-4200499	23220	23300	-	23270	23280	23260	28380
233	1975-1977	4200500 & Up	23220	23300	-	23270	23280	23260	28380
898 / 228	1977	4782330-4898729	23220	23300	-	23270	23280	23260	28380
898 / 228	1978-1982	4898730-6225576	23220	23300	23290	23270	23280	23260	28380
250	1977	4791300-4899729	23220	23300	-	23270	23280	23260	28380
260	1978-1982	4898730-6225576	23220	23300	23290	23270	23280	23260	28380
R	1983-1984	6225577 & Up	23220	23300	23290	23270	23280	23260	28380
MR / Alpha One Grcs.	1984-1990	6225577 & Up	23220	23210	N/A	23270	23280	23260	28380
MR / Alpha One Grcs. (CR)	1983-1990	6225577 & Up	-	23210	23220	23270	23280	23260	28380
Alpha One SS	1986-1989	0A545004 & Up	23220	23210	N/A	N/A	23280	23260	28380
Alpha One Gen II	1991-1995	0D469859-0F679999	23220	23210	N/A	23270	23280	23260	28380
Alpha One Gen II	1996 & Up	0F680000 & Up	23221	23210	N/A	23270	23280	23261	28380
Alpha One Gen II (CR)	1991-1995	0D469859-0F679999	-	23210	23220	23270	23280	23260	28380
Alpha One Gen II (CR)	1996 & Up	0F680000 & Up	-	23210	23221	23270	23280	23261	28380
Bravo I	1988 & Up	0B664190 & Up	-	-	N/A	N/A	N/A	N/A	N/A
Bravo II	1988 & Up	0B664190 & Up	-	-	N/A	N/A	N/A	N/A	N/A
Bravo III	1988 & Up	0B664190 & Up	-	-	-	N/A	N/A	N/A	N/A
Blackhawk	1994-1995	0F186717 & Up	-	23210	-	N/A	N/A	N/A	N/A
II	1962-1967	1474909-2278488	-	N.L.A.	N/A	N.L.A.	N.L.A.	-	N/A
II (1.78)	1968-1972	2398798-2671321	-	N.L.A.	N/A	N.L.A.	N.L.A.	N.L.A.	N/A
III	1968-1972	2373127-3002613	-	-	N/A	-	23270	N/A	-
215E/H	1970-1972	2782203-2915034	-	-	N/A	N.L.A.	N.L.A.	N/A	N/A
TR	1973-1993	3377316 & Up	-	-	N/A	-	-	N/A	-
TRS	1973-1993	3377316 & Up	-	-	N/A	-	-	N/A	-



MerCruiser

DRIVE SHAFT SEAL & BEARING APPLICATION

Model	Year	Serial No. Range	Bearing Carrier O-ring	Bearing Carrier Seal	Drive Shaft Hsg. Seal Kit	Lower Unit Seal & Bearing Kit	Lower Unit Seal Kit	U-Joint Seal Carrier
60 / 80 / 90	1965-1972	1830753-3225967	83345	85080	N/A	N/A	N/A	N.L.A.
60 / 80 / 90	1965-1972	1830753-3225967	83345	85210	N/A	N/A	N/A	N.L.A.
I	1963	1534570-1684187	83415	85130	N/A	N/A	N/A	N.L.A.
IA / IB / IC & EZ Shift	1964-1966	1684188-2065186	83445	85130	87500	N/A	87510	28370
120 / 140	1967-1982	2062141-6225576	83445	85130	87500	N/A	87510	28370
470 / 485	1976-1982	4208730-6225575	83445	85130	87500	N/A	87510	28370
160 / 165	1967-1981	2065190 & Up	83445	85130	87500	N/A	87510	28370
888	1971-1977	3106717 & Up	83445	85130	87500	N/A	87510	28370
225 / 233	1974-1977	3856268 & Up	83445	85130	87500	N/A	87510	28370
898 / 228 / 250 / 260	1977-1982	4782330-6225576	83445	85130	87500	N/A	87510	28370
R	1983	6225577 & Up	83445	85130	87500	25110	87510	28370
MR / Alpha One	1984-1990	6225577 & Up	83445	85130	87500	25120	87510	28370
MR / Alpha One	1984-1990	6225577 & Up	83445	85130	87500	25120	87510	28370
MR / Alpha One	1984-1990	6225577 & Up	83445	85700	87500	25120	87510	28370
MR / Alpha One (CR)	1984-1990	6225577 & Up	83445	85130	87500	-	87510	28370
MR / Alpha One (CR)	1984-1990	6225577 & Up	83445	85700	87500	-	87510	28370
Alpha One SS	1986-1989	0A54004 & Up	83445	85130	87500	N/A	87511	28370
Alpha One SS	1986-1989	0A54004 & Up	83445	85130	87500	N/A	87511	28370
Alpha One SS	1986-1989	0A54004 & Up	83445	85700	87500	N/A	87511	28370
Alpha One Gen II	1991-1995	0D469859-0F679999	83445	85130	87501	25130	87511	28370
Alpha One Gen II	1991-1995	0D469859-0F679999	83445	85700	87501	25130	87511	28270
Alpha One Gen II (CR)	1991-1995	0D469859-0F679999	83445	85130	87501	-	87511	28370
Alpha One Gen II (CR)	1991-1995	0D469859-0F679999	83445	85700	87501	25140	87511	28370
Alpha One Gen II	1996-1997	0F680000-0K999999	83445	85130	87501	25140	87511	28370
Alpha One Gen II	1986-1997	0F680000-0K999999	83445	85700	87501	-	87511	28370
Alpha One Gen II (CR)	1996 & Up	0F680000 & Up	83445	85130	87501	-	87511	28370
Alpha One Gen II (CR)	1996 & Up	0F680000 & Up	83445	85700	87501	25150	87511	28370
Alpha One Gen II	1998 & Up	0L100040 & Up	83445	85130	87501	25150	87511	28370
Alpha One Gen II	1998 & Up	0L100040 & Up	83445	85700	87501	-	87511	28370
Bravo I	1988 & Up	0B664190 & Up	83445	85130	87480	-	87490	28372
Bravo II	1988 & Up	0B664190 & Up	83505	-	87480	-	87490	28372
Bravo II	1988 & Up	0B664190 & Up	83505	85510	87480	-	87490	28372
Bravo III	1988 & Up	0B664190 & Up	82425	-	87480	-	87490	28372
Blackhawk	1994-1995	0F186717 & Up	83465	-	87480	N/A	87480	28372
II	1962-1969	1474909-2671321	83445	N.L.A.	N/A	N/A	N/A	N/A
III	1968-1972	2373127-3002613	-	-	N/A	N/A	N/A	N/A
215E/H	1970-1972	2909035-2915034	83505	85510	N/A	N/A	N/A	N/A
TR	1973-1993	3377316 & Up	83505	85510	87580	N/A	N/A	N/A
TRS	1973-1993	3377316 & Up	83445	85130	87580	N/A	N/A	N/A

MerCruiser

DRIVE SHAFT HOUSING BEARINGS

No. 21510

OEM: 31-61100A1
(1-15/16 O.D.)



Drive Shaft - Upper

No. 21511

OEM: 31-32575T1
(1-25/32 O.D.)

No. 21520

OEM: 31-35988A12

No. 21522

OEM: 31-30894A5



U-Joint Shaft

No. 21525

OEM: 31-86763A2

No. 21540

OEM: 31-35990A1

No. 21550

OEM: 31-66818A1



Drive Shaft - Lower

No. 21560

OEM: 31-32573A1

No. 21630

OEM: 31-38356A1

DRIVE SHAFT HOUSING BEARINGS APPLICATIONS

Model	Gear Ratio	Year	Serial No. Range	Bearing Assy. Drive Gear	Bearing Assy. Driven Gear	Bearing- Upper Cover
I	All	1963	1534570-1684187	N.L.A.	21560	21511
IA/IB/IC & EZ Shift	All	1964-1966	1684188-2065186	21520	21540	21511
120/140	1.98	1967	2062141-2187468	21520	21540	21540
120/140	1.98	1967-1971	2187469-3134193	21520	21540	21511
120/140	1.98	1971-1982	3213658-6225576	21520	21540	21510
470/485	1.84	1976-1982	4208730-6225575	21520	21540	21540
160	1.68	1967	2065190-2182197	21520	21540	21511
160	1.68	1967-1971	2182198-3134193	21520	21540	21510
165	1.65	1971-1981	3213658 & Up	21520	21540	21510
888	1.50	1974 & Up	3784375 & Up	21520	21540	21510
225-S	1.50	1974	3856268-4200499	21520	21540	21510
233	1.32	1975-1977	4200500 & Up	-	21550	21510
898/228	1.65	1977-1982	4782330-6225576	21520	21540	21510
250	1.32	1977	4791300-4898729	-	21550	21510
260	1.50	1978-1982	4898730-6225576	21520	21540	21510
R/MR/Alpha One	1.98/1.84/1.65/1.50	1984-1990	6225577 & Up	21520	21540	21510
R/MR/Alpha One	1.50	1984-1990	6225577 & Up	21520	21560	21510
R/MR/Alpha One	1.32	1984-1990	6225577 & Up	-	21550	21510
Alpha One SS	1.32	1986-1989	0A545004 & Up	-	21550	21510
Alpha One SS	1.50	1986-1989	0A545004 & Up	-	21560	21510
Alpha One Gen II	2.40/1.98/1.84/1.65	1991-1995	0D469859-0F679999	21520	21540	21510
Alpha One Gen II	1.50	1991-1995	0D469859-0F679999	21520	21560	21510
Alpha One Gen II	2.40/1.94/1.81/1.62	1996-1997	0F680000-0K999999	21520	21540	21511
Alpha One Gen II	1.47	1996-1997	0F680000-0K999999	21520	21560	21511
Alpha One Gen II	2.40/2.00/1.94/1.81/1.62	1998 & Up	0L100040 & Up	21522	21540	21511
Alpha One Gen II	1.47	1998 & Up	0L100040 & Up	21522	21560	21511
Bravo I/II/III	All	1988 & Up	0B664190-0F345867	21525	-	-
Blackhawk	All	1994-1995	0F186717 & Up	21525	-	-
III	All	1968-1972	2373127-3002613	-	-	N/A
215H	All	1970	2782203-2909034	-	N.L.A.	N/A
TR/TRS	All	1973-1993	3377316 & Up	-	-	N/A
TR/TRS	All	1973-1993	3377316 & Up	21630	-	N/A

MerCruiser

YOKE & U-JOINT SERVICE KITS

Alpha One Gen II

No. 28302

OEM: N/A

Kit Contains:

GLM	OEM	Item
28030 (2)	75832T1	U-Joint
28312	853635	Yoke
28330	12-45810	Tension Washer
28360	11-22339	Locknut
39622	27-94996A2	Gasket Kit
87501	26-88397A1	Seal Kit



Bravo

No. 28304

OEM: N/A

Kit Contains:

GLM	OEM	Item
28030 (2)	75832T1	U-Joint
28340	12784	Yoke
28330	12-45810	Tension Washer
28360	11-22339	Locknut
87480	26-16709A2	Seal Kit



MR (SN# B-418819 & Up)

No. 28313

OEM: N/A

Kit Contains:

GLM	OEM	Item
28030 (2)	75832T1	U-Joint
28310	46020-1	Yoke
39622	27-94996A2	Gasket Kit
87500	26-32511A1	Seal Kit



R / MR (SN# B-418818 & Below)

No. 28314

OEM: N/A

Kit Contains:

GLM	OEM	Item
28020 (2)	75832T	U-Joint
28310	46020-1	Yoke
31130	27-64818	Gasket
39620	27-94996A1	Gasket Kit
87500	26-32511A1	Seal Kit



MerCruiser

DRIVE SHAFT HOUSING U-JOINTS

No. 28010

UNIVERSAL JOINT
OEM: 41431



4-Cyl. & 6-Cyl. inline only

No. 28030

UNIVERSAL JOINT
OEM: 75832T
75832T-1



Heavy Duty

DRIVE SHAFT HOUSING YOKES & SOCKET

No. 28310

YOKE
OEM: 46020-1

(1997 & Before)



MC-1 / R / MR / Alpha One / Alpha One Gen II

No. 28312

YOKE
OEM: 853635

(1998 & Up)



Alpha One Gen II

No. 28340

YOKE
OEM: 12784



Bravo

No. 28330

WASHER
OEM: 12-45810



No. 28360

LOCKNUT
OEM: 11-22339



For use with No. 28310, 28312 & 28340

No. 28315

YOKE (LONG)
OEM: 814819A3



No. 28100

SOCKET
OEM: 39383-1



DRIVE SHAFT HOUSING UNIVERSAL JOINT ASSEMBLY

No. 28070

UNIVERSAL JOINT ASSY.
OEM: 814819A7



100% Hot Forged Carbon Steel
Comes with locknut and tension washer
(For best result one time use only)

Alpha One Gen II
(1998 & Up)

No. 28050

UNIVERSAL JOINT ASSY.
OEM: 814819A2

With long yoke



100% Hot Forged Carbon Steel
Comes with locknut and tension washer
(For best result one time use only)

MC-1 / R / MR / Alpha One
& Alpha One Gen II
(1970-1997)

No. 28060

UNIVERSAL JOINT ASSY.
OEM: 12784A10



100% Hot Forged Carbon Steel
Comes with locknut and tension washer
(For best result one time use only)

Bravo

MerCruiser

UNIVERSAL JOINT APPLICATION

Model	Year	Serial No. Range	U-Joint Assy.	U-Joint Cntr Socket	U-Joint Cross/Bearing	U-Joint O-ring	U-Joint Yoke Drive Gear End	U-Joint Yoke Coupling End
IA / IB / IC	1964	1684188-1777798	-	28100	28030	N/A	28310	-
IA / IB / IC E Z	1965-1966	1776349-2065186	-	28100	28030	81180	28310	-
120 / 140	1967-1982	2062141-6225576	-	28100	28030	81180	28310	-
470 / 485	1976-1982	4208730-6225575	-	28100	28030	81180	28310	-
160 / 165	1967-1981	2065190 & Up	-	28100	28030	81180	28310	-
888 / 225 / 888	1971-1977	3106717 & Up	28050	28100	28030	81180	28310	28315
898 / 228 / 250 / 260	1977-1982	4782330-6225576	28050	28100	28030	81180	28310	28315
R / MR / Alpha One	1983-1986	6225577-0B418818	28050	28100	28030	81180	28310	28315
R / MR / Alpha One	1986-1990	0B418819 & Up	28050	28100	28030	81180	28310	28315
Alpha One SS	1986-1989	0A545004 & Up	28050	28100	28030	81180	28310	28315
Alpha One Gen II	1991-1993	0D469859-0D869999	28050	28100	28030	81180*	28310	28315
Alpha One Gen II	1991-1993	0D469859-0D869999	28050	28100	28030	82150**	28310	28315
Alpha One Gen II	1993-1997	0D870000-0K999999	28050	28100	28030	81180*	28310	28315
Alpha One Gen II	1993-1997	0D469859-0K999999	28050	28100	28030	82150**	28310	28315
Alpha One Gen II	1998 & Up	0L100040 & Up	28070	28100	28030	81180*	28312	28315
Alpha One Gen II	1998 & Up	0L100040 & Up	28070	28100	28030	82150**	28312	28315
Bravo I / II / III	1988-1995	0B664190 & Up	28050	28100	28030	81180*	28340	28315
Bravo I / II / III	1988-1995	0B664190 & Up	28060	28100	28030	82150**	28340	28315
Blackhawk	1994-1995	0F186717 & Up	28060	28100	28030	81180*	28340	28315
Blackhawk	1994-1995	0F186717 & Up	28060	28100	28030	82150**	28340	28315
II	1962-1963	1474909-1602185	N.L.A.	N/A	28030	N/A	N/A	N/A
II	1964-1969	1602186-2671321	N.L.A.	28100	28030	N/A	N.L.A.	N.L.A.
III	1968-1972	2373127-3002613	-	-	-	N/A	-	-
215H	1970	2782203-2909034	N.L.A.	28100	28030	81180	N.L.A.	-
215E	1970-1972	2909035-2915034	N.L.A.	28100	28030	N/A	N.L.A.	N.L.A.
TR / TRS	1973-1993	3377316 & Up	-	28100	28030	N/A	-	-
TR / TRS	1973-1993	3377316 & Up	-	28100	28030	N/A	-	-
* 0.862 I.D.								
** 1.046 I.D.								

MerCruiser

DRIVE SHAFT HOUSING COMPONENTS

<p>No. 11131 VERTICAL DRIVE SHAFT OEM: 45-55796-1</p>  <p>Alpha One Gen II</p>	<p>No. 28402 COVER ASSEMBLY OEM: 828692A1</p>  <p>Alpha One Gen II</p>	<p>No. 11130 VERTICAL DRIVE SHAFT OEM: 45-55796</p>  <p>MC-1 / R / MR / Alpha One</p>	<p>No. 12200 WATER POCKET COVER KIT OEM: 42724A3</p> 
<p>No. 12831 GROMMET OEM: 26-88397</p>  <p>Alpha One Gen II</p>	<p>No. 85011 OIL SEAL - VERTICAL D.S. OEM: 26-66302</p>  <p>Alpha One Gen II</p>	<p>No. 28400 COVER ASSEMBLY OEM: 94998A4</p> 	<p>No. 12202 WATER TUBE OEM: 32-54236</p> 
<p>No. 10991 FILLER WALL OEM: 815932</p>  <p>Alpha One Gen II</p>	<p>No. 12829 GUIDE TUBES OEM: 32-860220</p>  <p>Alpha One Gen II</p>	<p>No. 21511 BEARING OEM: 31-32575T1 (1-25/32 O.D.)</p> 	<p>No. 31150 GASKET - WATER POCKET COVER OEM: 27-55810-1</p> 
<p>No. 28390 RING OEM: 35983</p>  <p>Alpha One Gen II & Alpha One</p>	<p>No. 85030 OIL SEAL - YOKE OEM: 26-823894</p>  <p>Alpha One Gen II MC-1 / R / MR / Alpha One</p>	<p>No. 23261 SHIM OEM: 15-32563A1 (For Bore Size 1.7813)</p> 	<p>No. 85150 GROMMET - WATER POCKET COVER OEM: 26-36557</p> 
<p>No. 28350 RETAINER OEM: 816811-2</p>  <p>Alpha One Gen II & Alpha One</p>	<p>No. 28370 CARRIER ASSEMBLY OEM: 66081A2</p>  <p>Alpha One Gen II MC-1 / R / MR / Alpha One</p>	<p>No. 28300 SCREW OEM: 10-98794</p>  <p>R / MR / Alpha One</p>	<p>No. 22440 SCREW OEM: 10-28668</p>  <p>MC-1 / MR / Alpha One</p>

MerCruiser

DRIVE SHAFT HOUSING COMPONENTS

<p>No. 85020 OIL SEAL - DRIVEN GEAR OEM: 26-32511</p>  <p>MC-1 / R / MR / Alpha One</p>	<p>No. 85060 OIL SEAL - VERTICAL D.S. OEM: 26-96503</p>  <p>MC-1 / R / MR / Alpha One</p>	<p>No. 21423 BUSHING - SHIFT SHAFT OEM: 23-32632</p>  <p>Alpha One</p>	<p>No. 21890 PLUG OEM: 19-47579</p>  <p>Alpha One</p>
<p>No. 22031 WELCH PLUG (1-1/4 OD) OEM: 19-42682</p>  <p>Alpha One</p>	<p>No. 22032 PLUG OEM: 22-42861-1</p>  <p>Alpha One</p>	<p>No. 86310 SEAL OEM: 16755Q1</p>  <p>Bravo</p>	<p>No. 86720 SEAL OEM: 12708</p>  <p>Bravo</p>
<p>No. 12920 COLLAR KEEPER OEM: 97351</p>  <p>Bravo</p>	<p>No. 86730 OIL SEAL - BRAVO YOKE OEM: 26-807006</p>  <p>Bravo</p>	<p>No. 85820 OIL SEAL OEM: 26-12709</p>  <p>Bravo</p>	<p>No. 28372 CARRIER ASSEMBLY OEM: 86779A1</p>  <p>All Bravo & Blackhawk</p>
<p>No. 12930 SPRING KIT OEM: 24-17997A1</p>  <p>Alpha One Gen II Bravo / Vazer / Blackhawk</p>		<p>No. 22420 DRAINING SCREW SET OEM: 10-79953Q2</p>  <p>For ALL</p>	<p>No. 31170 GASKET OEM: 12-19183-3</p> 



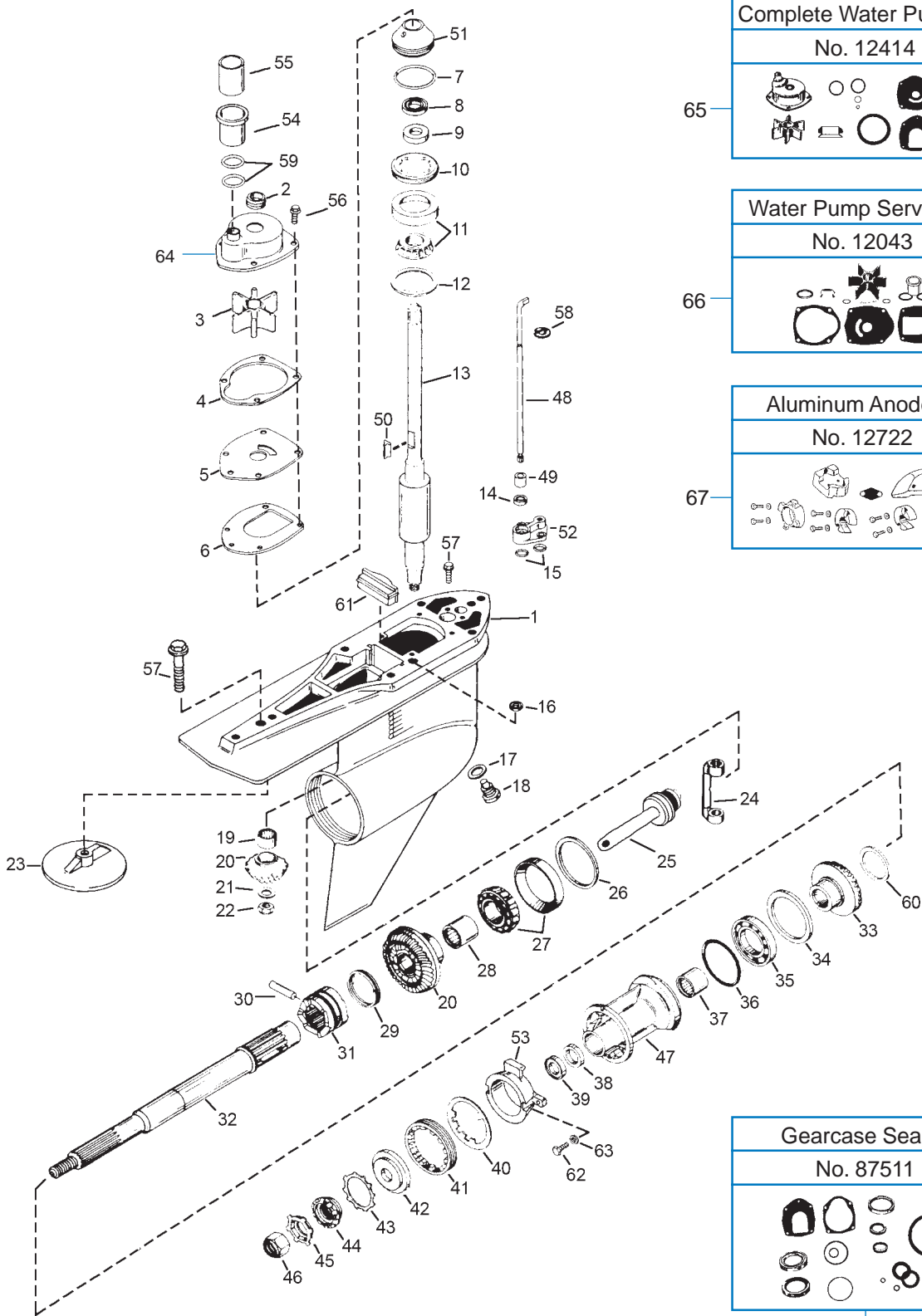
Section 3

Gearcase (Lower)

<i>Gearcase Breakdown - Alpha One Gen II</i>	36-37
<i>Gearcase Breakdown - MR & Alpha One</i>	38-39
<i>Gearcase Breakdown - MC-1 & R</i>	40-41
<i>Gearcase Breakdown - Bravo I & II</i>	42-43
<i>Gearcase Breakdown - Bravo III</i>	44-45
<i>Complete Gearcase Assembly</i>	47
<i>Gear housings</i>	47
<i>Complete Gearcase Assembly Kit - Alpha One Gen II</i>	48
<i>Gearcase Rebuilding Kit - Alpha One Gen II</i>	49
<i>Gearcase Rebuilding Kit - MR / Alpha One</i>	50
<i>Gearcase Seal & Bearing Kits With Gears</i>	51
<i>Gearcase Seal & Bearing Kits Without Gears</i>	52
<i>Gearcase Seal Kits</i>	53
<i>Gearcase Shim Kits</i>	54
<i>Gearcase Shim Kit Application Chart</i>	55
<i>Gearcase O-Rings & Seal Applications</i>	56
<i>Gearcase Gear Sets - Alpha One Gen II</i>	57
<i>Gearcase Gear Sets - MC-1 / R / MR / Alpha One</i>	58
<i>Gearcase Gear Set, Clutch & Repair Kit Applications</i>	59
<i>Gearcase Bearings & Applications</i>	60-62
<i>Bearing Carrier Assembly & Applications</i>	63
<i>Prop Shafts, Drive Shaft, Shift Shafts & Applications</i>	64
<i>Gearcase Components</i>	65-66
<i>Prop Hardware & Prop Tools</i>	67

MerCruiser

GEARCASE BREAKDOWN - ALPHA ONE GEN II



Complete Water Pump Kit	
No. 12414	
65	

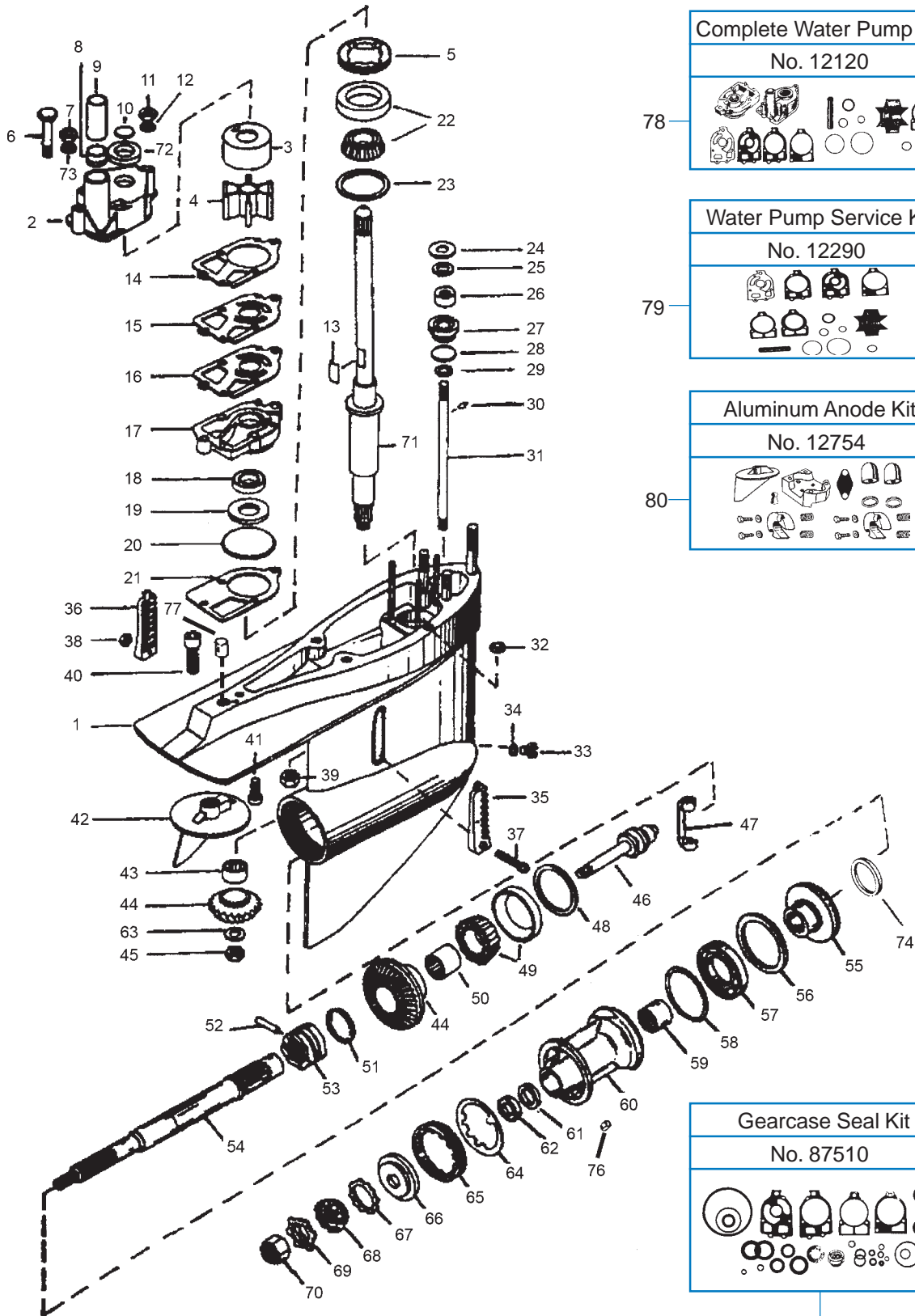
Water Pump Service Kit	
No. 12043	
66	

Aluminum Anode Kit	
No. 12722	
67	

Gearcase Seal Kit	
No. 87511	
68	

MerCruiser

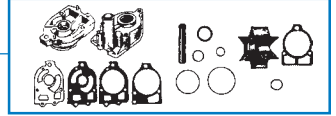
GEARCASE BREAKDOWN - MR & ALPHA ONE



Complete Water Pump Kit

No. 12120

78



Water Pump Service Kit

No. 12290

79



Aluminum Anode Kit

No. 12754

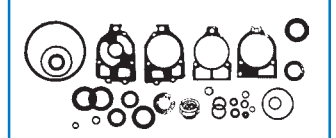
80



Gearcase Seal Kit

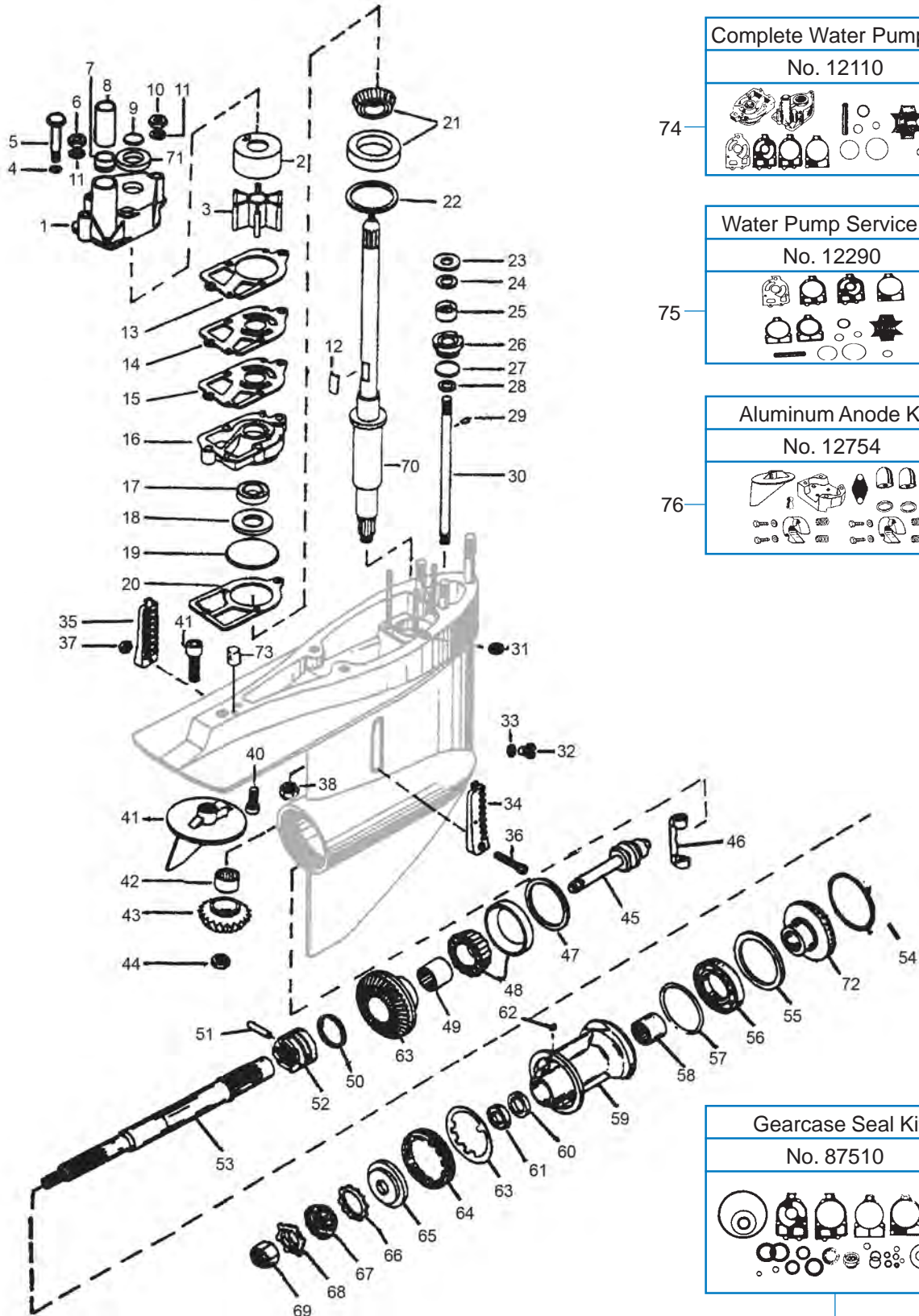
No. 87510

81



MerCruiser

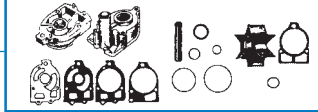
GEARCASE BREAKDOWN - MC-1 & R



Complete Water Pump Kit

No. 12110

74



Water Pump Service Kit

No. 12290

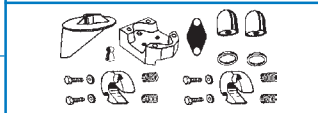
75



Aluminum Anode Kit

No. 12754

76



Gearcase Seal Kit

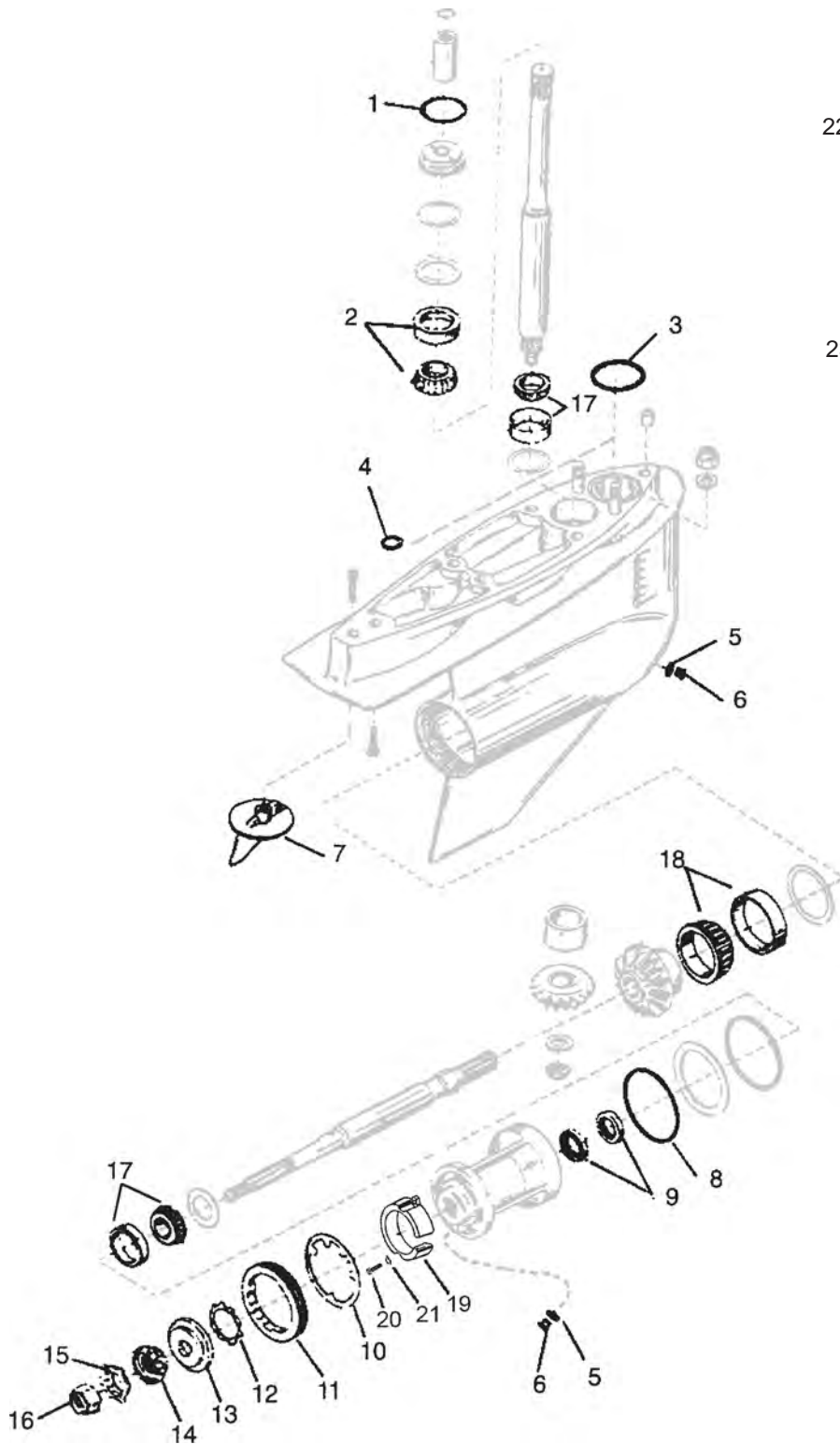
No. 87510

77



MerCruiser

GEARCASE BREAKDOWN - BRAVO I & II



22	Aluminum Anode Kit
	No. 12724

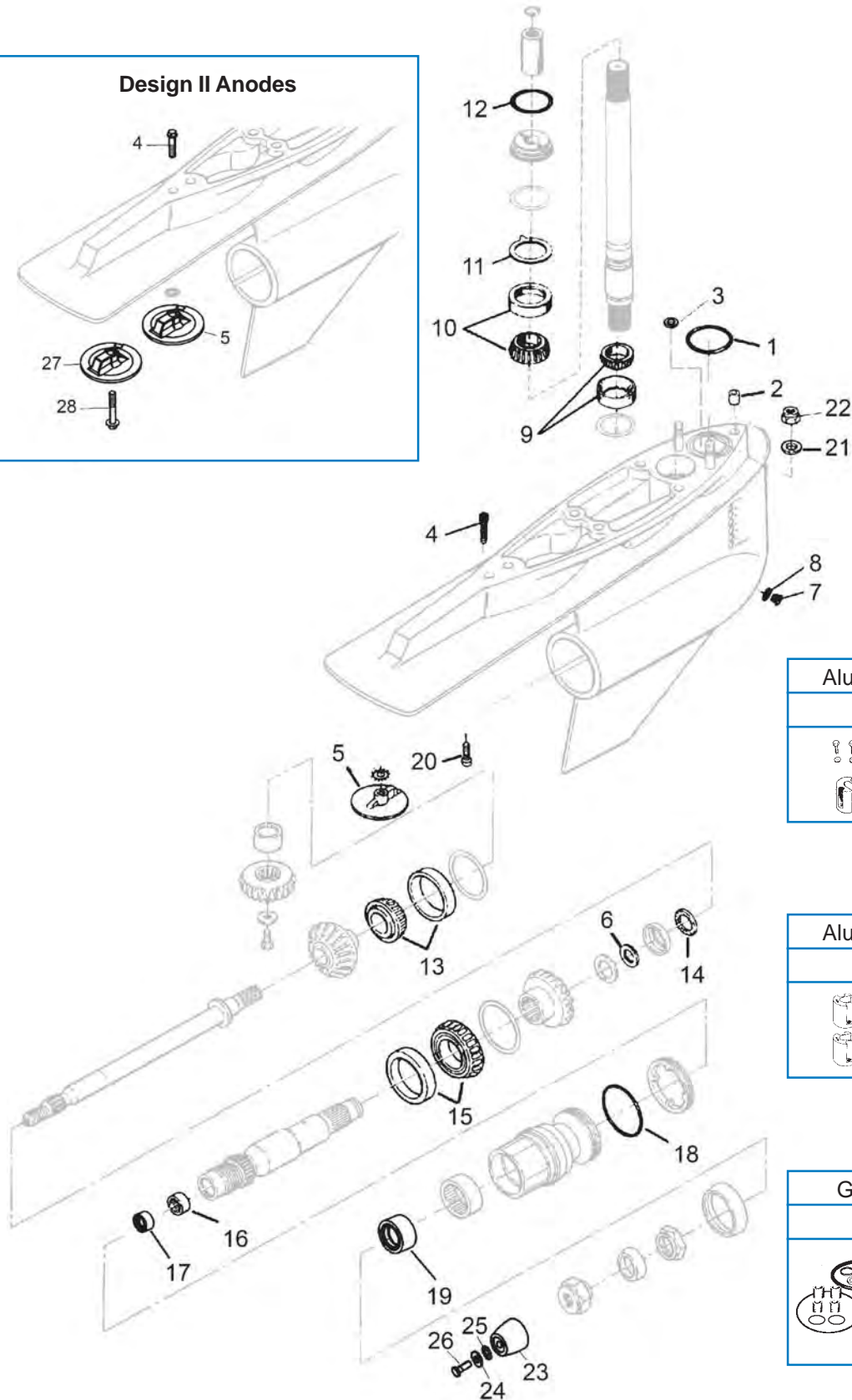
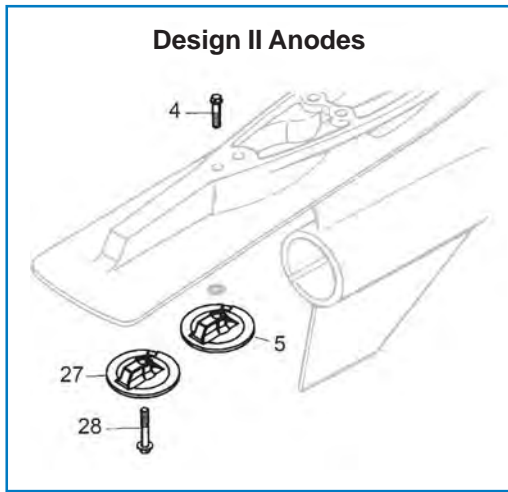
23	Aluminum Anode Kit
	No. 12726

24	Gearcase Seal Kit
	No. 87490

24

MerCruiser

GEARCASE BREAKDOWN - BRAVO III



Aluminum Anode Kit
No. 12726

29

Aluminum Anode Kit
No. 12891

30

Gearcase Seal Kit
No. 87490

31

MerCruiser

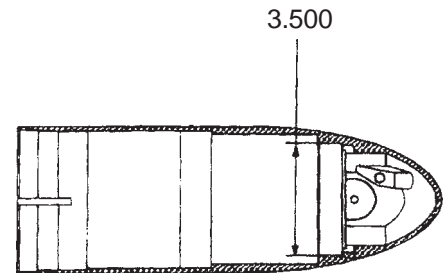


CHECK OUT THE NEW MERCRUISER LOWER GEAR SETS!

1. ALL MC-1 / R / MR / ALPHA ONE

Have a Forward Gear Bearing Bore
Size of 3.4985-3.5000 Inch I.D.?

Use GLM Bearing No. 11312

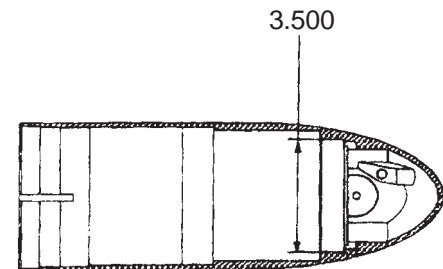


2. ALPHA ONE GENERATION II GEAR HOUSING (1991-1995)

(S/N OD469859-OF679999; P/N 1623-815822A6)

Have a Forward Gear Bearing Bore
Size of 3.4985-3.5000 Inch I.D.?

Use GLM Bearing No. 11312



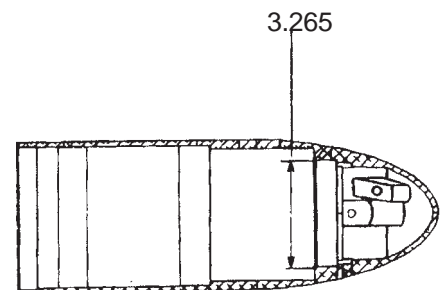
NOT A REPLACEMENT FOR OEM HOUSING (NEW SUPERSEDED P/N 1623-815822A30)

3. ALPHA ONE GENERATION II GEAR HOUSING (1996 & Up)

(S/N OF680000 & up; P/N 1623-815822A30
& Some Alpha One with Smaller Forward
Gear Bearing Bore Size)

Have a Forward Gear Bearing Bore
Size of 3.2635-3.2650 Inch I.D.?

Use GLM Bearing No. 11313



MerCruiser

COMPLETE GEARCASE ASSEMBLY

Alpha One Gen II

No. 18300

OEM: 1623-815822A53
 Serial No. OD469859 & Up
 Standard Rotation

Ratio: 13:21



MC-1 / R / MR & Alpha One

No. 18100

OEM: 1623-8951A43
 Ratio: 13:21



EMPTY GEAR HOUSINGS

Alpha One Gen II

No. 28000

OEM: 1623-815822A30, 1623-815822A36
 Serial No. OD469859-OK999999



Forward Gear Tapered Roller
 Bearing Bore Size:
 3.4985-3.500 in. I.D.
 (88.86-88.90 mm)



Alpha One & MR

No. 18000

OEM: 1623-8951A37



Forward Gear Tapered Roller
 Bearing Bore Size:
 3.4985-3.5000 in. I.D.
 (88.86-88.90 mm)



MerCruiser

COMPLETE GEARCASE ASSEMBLY KIT - ALPHA ONE GEN II

No. 28120

OEM: N/A

Kits Contain:

GLM	OEM	ITEM
25190	N/A	Gear Housing Rebuild Kit
28000	1623-815822A30	Gear Housing Assembly



MerCruiser

GEARCASE REBUILD KIT - ALPHA ONE GEN II

No. 25193

F.G. Bearing: 3.265 O.D.
D.S. Bearing: 1.000 I.D.
SN # OL100040 & Up
(1998 & Up)

Comes with:
11092 Pinion & Fwd.Gear Set

No. 25192

F.G. Bearing: 3.265 O.D.
D.S. Bearing: 1.000 I.D.
SN # OL100040 & Up
(1998 & Up)

Comes with:
11092 Pinion & Fwd.Gear Set
21580 Tapered Roller Bearing

No. 25191

F.G. Bearing: 3.265 O.D.
D.S. Bearing: 1.0625 I.D.
SN # 0F680000-OK999999
(1996-1997)

Comes with:
11092 Pinion & Fwd.Gear Set
21580 Tapered Roller Bearing
11140 Drive Shaft

No. 25190

F.G. Bearing: 3.500 O.D.
D.S. Bearing: 1.0625 I.D.
SN # 0D469859-0F679999
(1991-1995)

Comes with:
11091 Pinion & Fwd.Gear Set
21580 Tapered Roller Bearing
11120 Drive Shaft



Kits Contain:

GLM	OEM	ITEM	GLM	OEM	ITEM
11013	43-828073A1	Reverse Gear	21120	8M2011027	Cover Nut
11030	818349T1	Shift Spool	21131	17-8M0020941	Cross Pin
11040	76865	Shift Crank	21136	53-29641	E-ring
11050	24-30893	Spring	21305	835257Q5	Prop Service Kit
11060	52-853594T	Clutch Dog	21584	31-33138A1	Tapering Roller Bearing
11140	45-816919	Drive Shaft	21590	31-35928T1	Tapered Roller Bearing
11155	44-850308	Prop Shaft	21593	31-828439A2	Tapered Roller Bearing
11190	11-35921	Pinion Nut	21610	31-42647A1	Bearing
11381	14-18323	Keyed Washer	21620	30-88957T	Bearing
11405	818763A10	Bearing Carrier Assy.	21731	22-8M0058389	Draining Screw Set
12414	817275Q5	Complete Water Pump Kit	21741	10-806327	Screw
12702	806105Q1	Aluminum Anode Kit	23140	68100-1	Thrust Ring
12710	76214Q5	Aluminum Anode	23200	824519-1	Retainer
12834 (4)	10-816928	Screw	23210	15-42637A1	Shim
21015	23-815921A21	Shift Bushing	23221	15-44491A1	Shim
21031	815919A1	Lower Shift Shaft	87511	26-816575A3	Gearcase Seal Kit

MerCruiser

GEARCASE REBUILD KIT - MR/ALPHA ONE

No. 18190

OEM: N/A



Contains all gear housing parts except gear housing
No. 18001 with pinion bearing.

Kits Contain:

GLM	OEM	ITEM	GLM	OEM	ITEM
11008	N/A	Pinion Gear	21170 (5)	11-859116	Lock Nut
11009	N/A	Forward Gear	21180 (2)	11-35888	Lock Nut
11012	23-824108	Thrust Spacer	21190	11-826709111	Lock Nut
11013	43-828073A1	Reverse Gear	21305	835257Q5	Prop Service Kit
11030	818349T1	Shift Spool	21413	17-35973	Dowel Pin
11040	76865	Shift Crank	21490 (2)	12-29245	Washer
11050	24-30893	Spring	21580	31-36387A1	Tapered Roller Bearing
11060	52-853594T	Clutch Dog	21590	31-828439A2	Tapered Roller Bearing
11120	45-42634	Drive Shaft	21610	31-42647A1	Bearing
11155	44-850308	Prop Shaft	21620	30-88957T	Bearing
11190	11-35921	Pinion Nut	21720	12-36001	Washer
11381	14-18323	Keyed Washer	21740	10-32470	Screw
11405	818763A10	Bearing Carrier Assy.	21800	12-29395	Washer
12120	N/A	Complete Water Pump Kit	21870	93423-1	Insert
12670	31640Q4	Trim Tab	21880	93424-1	Insert
12822	10-76156	Screw	22430	10-30206	Screw
12833	10-96411	Screw	23140	68100-1	Thrust Ring
21010	23-30617A2	Shift Shaft Bushing	23200	824519-1	Retainer
21030	77481-1	Lower Shift Shaft	23210	15-42637A1	Shim
21120	8M2011027	Cover Nut	23220	15-47397A1	Shim
21131	17-8M0020941	Cross Pin	32790	12-27880	Washer
21132	18-20233	Clip	32800	12-92721	Washer
21161	11-859124	Lock Nut	87510	26-33144A2	Gearcase Seal Kits

MerCruiser

GEARCASE SEAL & BEARING KITS WITH GEARS

No. 25155

OEM: 43-803073T1

Kits Contain:

GLM	OEM	ITEM
11008	N/A	Pinion Gear
11009	N/A	Forward Gear
11013	43-828073A1	Reverse Gear
11060	52-853594T	Clutch Dog
11190	11-35921	Pinion Nut
11381	14-18323	Keyed Washer
11410	31-30956T	Roller Bearing
21584	31-33138A1	Tapered Roller Bearing
21593	31-828439A2	Tapered Roller Bearing
21610	31-42647A1	Bearing
21620	30-88957T	Bearing
23210	15-42637A1	Shim
23221	15-44491A1	Shim
87511	26-816575A3	Gearcase Seal Kit



Alpha One Gen II
(1998 & Up)

No. 25145

OEM: 43-803071T1

Kits Contain:

GLM	OEM	ITEM
11008	N/A	Pinion Gear
11009	N/A	Forward Gear
11013	43-828073A1	Reverse Gear
11060	52-853594T	Clutch Dog
11190	11-35921	Pinion Nut
11312	43-878087A4	Gear Set
11381	14-18323	Kyd Washer
11410	31-30956T	Roller Bearing
21580	31-36387A1	T. Roller Bearing
21590	31-35928T1	T. Roller Bearing
21593	31-828439A2	T. Roller Bearing
21610	31-42647A1	Bearing
21620	30-88957T	Bearing
23210	15-42637A1	Shim
23221	15-44491A1	Shim
23220	15-47397A1	Shim
87511	26-816575A3	Gearcase Seal Kit



Alpha One Gen II (1996-1997)

No. 25135

OEM: 43-803069T1

Kits Contain:

GLM	OEM	ITEM
11008	N/A	Pinion Gear
11009	N/A	Forward Gear
11013	43-828073A1	Reverse Gear
11060	52-853594T	Clutch Dog
11190	11-35921	Pinion Nut
11312	43-878087A4	Gear Set
11381	14-18323	Kyd Washer
11410	31-30956T	Roller Bearing
21580	31-36387A1	T. Roller Bearing
21590	31-35928T1	T. Roller Bearing
21610	31-42647A1	Bearing
21620	30-88957T	Bearing
23210	15-42637A1	Shim
23220	15-47397A1	Shim
87511	26-816575A3	Gearcase Seal Kit



Alpha One Gen II (1991-1995)

No. 25125

OEM: 43-803091T1

Kits Contain:

GLM	OEM	ITEM
11020	43-92320T	Reverse Gear
11100	43-96084A7	Pinion & Fwd Gears
11060	52-853594T	Clutch Dog
11190	11-35921	Pinion Nut
11300	43-96084A4	Gear Set
11380	14-79447	Kyd Washer
11410	31-30956T	Roller Bearing
11420	30895T	Roller Bearing
21570	31-53079A1	T. Roller Bearing
21590	31-35928T1	T. Roller Bearing
21600	31-92366A1	Bearing
21620	30-88957T	Bearing
23220	15-47397A1	Shim
23300	15-57007A1	Shim
87510	26-33144A2	Gearcase Seal Kit



MR / Alpha One

No. 25115

OEM: 43-803079T1

Kits Contain:

GLM	OEM	ITEM
11008	N/A	Pinion Gear
11009	N/A	Forward Gear
11013	43-828073A1	Reverse Gear
11060	52-853594T	Clutch Dog
11190	11-35921	Pinion Nut
11312	43-878087A4	Gear Set
11380	14-79447	Keyed Washer
11381	14-18323	Keyed Washer
11410	31-30956T	Roller Bearing
21580	31-36387A1	T. Roller Bearing
21590	31-35928T1	T. Roller Bearing
21610	31-42647A1	Bearing
21620	30-88957T	Bearing
23210	15-42637A1	Shim
23220	15-47397A1	Shim
87510	26-33144A2	Gearcase Seal Kit



MC-1 / R

MerCruiser

GEARCASE SEAL & BEARING KITS WITHOUT GEARS

No. 25150

OEM: 31-803096T1

Kits Contain:

GLM	OEM	ITEM
11190	11-35921	Pinion Nut
11381	14-18323	Keyed Washer
11410	31-30956T	Roller Bearing
21584	31-33138A1	Tapered Roller Bearing
21593	31-828439A2	Tapered Roller Bearing
21610	31-42647A1	Bearing
21620	30-88957T	Bearing
23210	15-42637A1	Shim
23221	15-44491A1	Shim
87511	26-816575A3	Gearcase Seal Kit



Alpha One Gen II
(1998 & Up)

No. 25140

OEM: 31-803095T1

Kits Contain:

GLM	OEM	ITEM
11190	11-35921	Pinion Nut
11381	14-18323	Keyed Washer
11410	31-30956T	Roller Bearing
21580	31-36387A1	T. Roller Bearing
21593	31-828439A2	T. Roller Bearing
21610	31-42647A1	Bearing
21620	30-88957T	Bearing
23210	15-42637A1	Shim
23221	15-44491A1	Shim
87511	26-816575A3	Gearcase Seal Kit



Alpha One Gen II
(1996-1997)

No. 25130

OEM: 31-803094T1

Kits Contain:

GLM	OEM	ITEM
11190	11-35921	Pinion Nut
11381	14-18323	Keyed Washer
11410	31-30956T	Roller Bearing
21580	31-36387A1	T. Roller Bearing
21590	31-35928T1	T. Roller Bearing
21610	31-42647A1	Bearing
21620	30-88957T	Bearing
23210	15-42637A1	Shim
23220	15-47397A1	Shim
87511	26-816575A3	Gearcase Seal Kit



Alpha One Gen II
(1991-1995)

No. 25120

OEM: 31-803090T1

Kits Contain:

GLM	OEM	ITEM
11190	11-35921	Pinion Nut
11380	14-79447	Keyed Washer
11381	14-18323	Keyed Washer
11410	31-30956T	Roller Bearing
21580	31-36387A1	T. Roller Bearing
21590	31-35928T1	T. Roller Bearing
21610	31-42647A1	Bearing
21620	30-88957T	Bearing
23210	15-42637A1	Shim
23220	15-47397A1	Shim
87510	26-33144A2	Gearcase Seal Kit



MR / Alpha One

No. 25110

OEM: 31-803068T1

Kits Contain:

GLM	OEM	ITEM
11190	11-35921	Pinion Nut
11380	14-79447	Keyed Washer
11410	31-30956T	Roller Bearing
21570	31-53079A1	T. Roller Bearing
21590	31-35928T1	T. Roller Bearing
21600	31-92366A1	Bearing
21620	30-88957T	Bearing
23220	15-47397A1	Shim
23300	15-57007A1	Shim
87510	26-33144A2	Gearcase Seal Kit



MC-1 / R

MerCruiser

GEARCASE SEAL KITS

No. 87511

OEM: 26-816575A3



Kits Contain:

GLM	OEM	ITEM	GLM	OEM	ITEM
12341	807929A1	Pump Base	85581	26-816464-1	Oil Seal
30090	27-43033-1	Gasket	85590	26-816575A2	Face Seal
31170	12-19183-3	Gasket	85700	26-12224	Oil Seal
31240	27-817277-1	Gasket			
80120 (2)	25-48171	O-ring			
81175 (2)	25-896522	O-ring			
82110 (2)	25-21836	O-ring			
83445	25-896524	O-ring			
85130 (2)	26-14077	Oil Seal			
85140	26-45577-1	Seal			

Alpha One Gen II

No. 87510

OEM: 26-33144A2



Kits Contain:

GLM	OEM	ITEM	GLM	OEM	ITEM
12830	26-38970	Grommet	81390	25-90011	O-ring
21010	23-30617A2	Bushing Assy	82260	25-33145	O-ring
21330	25-30271	Slinger	82270	25-38099	O-ring
30010	12-31266	Gasket	83445	25-896524	O-ring
31010	27-85608-1	Gasket	85040	26-16977	Oil Seal
31020	27-858524	Gasket	85070	26-89238	Oil Seal
31040	27-856704	Gasket	85130	26-14077	Oil Seal
31050	27-42631-1	Gasket	85140	26-45577-1	Seal
31170 (2)	12-19183-3	Gasket	85700	26-12224	Oil Seal
81160	25-30613	O-ring			

MC-1 / R / MR / Alpha One

No. 87490

OEM: 26-76868A2



Kits Contain:

GLM	OEM	ITEM	GLM	OEM	ITEM
31170 (2)	12-19183-2	Gasket	85130 (2)	26-14077	Oil Seal
81180 (2)	25-25439	O-ring	85140 (2)	26-45577-1	Seal
81490	25-54029	O-ring	85200 (2)	26-36556	Seal
82280	25-20826	O-ring	85250 (2)	26-805344	Seal
82425	25-805331	O-ring	85371	26-861694	Oil Seal
83445	25-896524	O-ring	85372	26-861695	Oil Seal
83505	25-34821	O-ring	85510 (2)	26-821092	Oil Seal

Bravo I, II, III

No. 87580

OEM: N/A



Kits Contain:

GLM	OEM	ITEM	GLM	OEM	ITEM
30130	27-66925-1	Gasket	84190	25-62817	O-ring
31120	27-54014A1	Gasket	85800	26-48443	Oil Seal
31170	12-19183-3	Gasket	86730	26-807006	Oil Seal
42120	25-48452	Quad Ring			
81180 (2)	25-25439	O-ring			
82440	326849	O-ring			
82480	25-67202	O-ring			

TR & TRS

MerCruiser

SHIM KITS

No. 23210

OEM: 15-42637A1



Gear housing to drive shaft bearing cup
MR / Alpha One / Alpha One Gen II

No. 23300

OEM: 15-57007A1



Gear housing to drive shaft bearing cup
MC-1 / R

No. 23220

OEM: 15-47397A1
For Bore Size 3.500



Forward gear bearing cup to gear housing

No. 23221

OEM: 15-44491A1
For Bore Size 3.265

No. 23290

OEM: 15-97166



Thrust washer to gear housing
MC-1 / R / MR

MerCruiser

STERN DRIVE SHIM APPLICATIONS

Model	Year	Serial No. Range	Fwd Gear Bearing Shim Kit	G/C D/S Upper Bearing Shim Kit	Rev. Gear Shim	Shim Kit Driven Gear	Shim Kit Drive Gear	Shim Kit Upper Cover	Spacer Shim Driven Gear
I	1963	1534570-1536617	-	-	-	N.L.A.	N.L.A.	23261	N/A
I	1963	1536618-1684187	-	23300	-	N.L.A.	N.L.A.	23261	N/A
IA / IB / IC & EZ Shift	1964-1966	1684188-2065186	23220	23300	-	23270	23280	23261	N/A
120 / 140	1967	2062141-2187468	23220	23300	-	23270	23280	23270	28380
120 / 140	1967-1969	2187469-2791956	23200	23300	-	23270	23280	23261	28380
120 / 140	1970-1971	2791957-3134193	23220	23300	-	23270	23280	N/A	28380
120 / 140	1971-1977	3213658-4893634	23220	23300	23290	23270	23280	23260	28380
120 / 140	1978-1982	4893635-6225576	23220	23300	-	23270	23280	23260	28380
470	1976-1977	4208730-4893934	23220	23300	23290	23270	23280	23260	28380
470 / 485	1978-1982	4893835-6225575	23220	23300	-	23270	23280	23260	28380
160	1967	2065190-2182197	23220	23300	-	23270	23280	23270	28380
160	1967-1969	2182198-2763441	23220	23300	-	23270	23280	23261	28380
165	1970-1971	2763442-3134193	23220	23300	-	23270	23280	N/A	28380
165	1971-1977	3213658-4890459	23220	23300	23290	23270	23280	23260	28380
165	1978-1981	4890460 & Up	23220	23300	-	23270	23280	23260	28380
888	1971-1972	3106717-3472477	23220	23300	-	23270	23280	N/A	28380
888	1973-1977	3472478 & Up	23220	23300	-	23270	23280	23260	28380
225-S	1974	3856268-4200499	23220	23300	-	23270	23280	23260	28380
233	1975-1977	4200500 & Up	23220	23300	-	23270	23280	23260	28380
898 / 228	1977	4782330-4898729	23220	23300	-	23270	23280	23260	28380
898 / 228	1978-1982	4898730-6225576	23220	23300	23290	23270	23280	23260	28380
250	1977	4791300-4898729	23220	23300	-	23270	23280	23260	28380
260	1978-1982	4898730-6225576	23220	23300	23290	23270	23280	23260	28380
R	1983-1984	6225577 & Up	23220	23300	23290	23270	23280	23260	28380
MR / Alpha One Grcs.	1984-1990	6225577 & Up	23220	23210	N/A	23270	23280	23260	28380
MR / Alpha One Grcs. (CR)	1983-1990	6225577 & Up	-	23210	23220	23270	23280	23260	28380
Alpha One SS	1986-1989	0A545004 & Up	23220	23210	N/A	N/A	23280	23260	28380
Alpha One Gen II	1991-1995	0D469859-0F679999	23220	23210	N/A	23270	23280	23260	28380
Alpha One Gen II	1996 & Up	0F680000 & Up	23221	23210	N/A	23270	23280	23261	28380
Alpha One Gen II (CR)	1991-1995	0D469859-0F679999	-	23210	23220	23270	23280	23260	28380
Alpha One Gen II (CR)	1996 & Up	0F680000 & Up	-	23210	23221	23270	23280	23261	28380
Bravo I	1988 & Up	0B664190 & Up	-	-	N/A	N/A	N/A	N/A	N/A
Bravo II	1988 & Up	0B664190 & Up	-	-	N/A	N/A	N/A	N/A	N/A
Bravo III	1988 & Up	0B664190 & Up	-	-	N/A	N/A	N/A	N/A	N/A
Blackhawk	1994-1995	0F186717 & Up	-	23210	-	N/A	N/A	N/A	N/A
II	1962-1967	1474909-2278488	-	N.L.A.	N/A	N.L.A.	N.L.A.	-	N/A
II (1.78)	1968-1972	2398798-2671321	-	N.L.A.	N/A	N.L.A.	N.L.A.	N.L.A.	N/A
III	1968-1972	2373127-3002613	-	-	N/A	-	23270	N/A	-
215 E/H	1970-1972	2782203-2915034	-	-	N/A	N.L.A.	N.L.A.	N/A	N/A
TR	1973-1993	3377316 & Up	-	-	N/A	-	-	N/A	-
TRS	1973-1993	3377316 & Up	-	-	N/A	-	-	N/A	-

MerCruiser

GEARCASE O-RINGS & SEALS APPLICATIONS

Model	Year	Serial No. Range	Bearing Carrier O-Ring	Bearing Carrier Seal	Drive Shaft Housing Seal Kit	Lower Unit Seal & Bearing Kit	Lower Unit Seal Kit	U-Joint Seal Carrier
60 / 80 / 90	1965-1972	1830753-3225967	83345	85080	N/A	N/A	N/A	N.L.A.
60 / 80 / 90	1965-1972	1830753-3225967	83345	85210	N/A	N/A	N/A	N.L.A.
I	1963	1534570-1684187	83415	85130	N/A	N/A	N/A	N.L.A.
IA / IB / IC & EZ Shift	1964-1966	1684188-2065186	83445	85130	87500	N/A	87510	28370
120 / 140	1967-1982	2062141-6225576	83445	85130	87500	N/A	87510	28370
470 / 485	1976-1982	4208730-6225575	83445	85130	87500	N/A	87510	28370
160 / 165	1967-1981	2065190 & Up	83445	85130	87500	N/A	87510	28370
888	1971-1977	3106717 & Up	83445	85130	87500	N/A	87510	28370
225 / 233	1974-1977	3856268 & Up	83445	85130	87500	N/A	87510	28370
898 / 228 / 250 / 260	1977-1982	4782330-6225576	83445	85130	87500	N/A	87510	28370
R	1983	6225577 & Up	83445	85130	87500	25110	87510	28370
MR / Alpha One	1984-1990	6225577 & Up	83445	85130	87500	25120	87510	28370
MR / Alpha One	1984-1990	6225577 & Up	83445	85700	87500	25120	87510	28370
MR / Alpha One (CR)	1984-1990	6225577 & Up	83445	85130	87500	-	87510	28370
MR / Alpha One (CR)	1984-1990	6225577 & Up	83445	85700	87500	-	87510	28370
Alpha One SS	1986-1989	0A54004 & Up	83445	85130	87500	N/A	87511	28370
Alpha One SS	1986-1989	0A54004 & Up	83445	85700	87500	N/A	87511	28370
Alpha One Gen II	1991-1995	0D469859-0F679999	83445	85130	87501	25130	87511	28370
Alpha One Gen II	1991-1995	0D469859-0F679999	83445	85700	87501	25130	87511	28370
Alpha One Gen II (CR)	1991-1995	0D469859-0F679999	83445	85130	87501	-	87511	28370
Alpha One Gen II (CR)	1991-1995	0D469859-0F679999	83445	85700	87501	25140	87511	28370
Alpha One Gen II	1996-1997	0F680000-0K999999	83445	85130	87501	25140	87511	28370
Alpha One Gen II	1986-1997	0F680000-0K999999	83445	85700	87501	-	87511	28370
Alpha One Gen II (CR)	1996 & Up	0F680000 & Up	83445	85130	87501	-	87511	28370
Alpha One Gen II (CR)	1996 & Up	0F680000 & Up	83445	85700	87501	25150	87511	28370
Alpha One Gen II	1998 & Up	0L100040 & Up	83445	85130	87501	25150	87511	28370
Alpha One Gen II	1998 & Up	0L100040 & Up	83445	85700	87501	-	87511	28370
Bravo I	1988 & Up	0B664190 & Up	83445	85130	87480	-	87490	28372
Bravo II	1988 & Up	0B664190 & Up	83505	-	87480	-	87490	28372
Bravo II	1988 & Up	0B664190 & Up	83505	85510	87480	-	87490	28372
Bravo III	1988 & Up	0B664190 & Up	82425	-	87480	-	87490	28372
Blackhawk	1994-1995	0F186717 & Up	83465	-	87480	N/A	87480	28372
II	1962-1969	1474909-2671321	83445	N.L.A.	N/A	N/A	N/A	N/A
III	1968-1972	2373127-3002613	-	-	N/A	N/A	N/A	N/A
215E/H	1970-1972	2909035-2915034	83505	85510	N/A	N/A	N/A	N/A
TR	1973-1993	3377316 & Up	83505	85510	87580	N/A	N/A	N/A
TRS	1973-1993	3377316 & Up	83445	85130	87580	N/A	N/A	N/A

MerCruiser

GEARCASE GEAR SETS - ALPHA ONE GEN II

No. 11312

COMPLETE GEAR SET (13:21)
OEM: 43-878087A4
(No. 11091 + No. 11013)



For 1991-1995
All ratios except 2.0 / 2.4
S/N 0D469859 thru 0F679999
With No. 21590
Forward Bearing (3.500 O.D.)



Forward gear has retaining ring to stop needle bearing moving rearward

No. 11313

COMPLETE GEAR SET (13:21)
OEM: N/A
(No. 11092 + No. 11013)



For 1996 & Up
All ratios except 2.0 / 2.4
S/N OF 680000 & Up
With No. 21593
Forward Bearing (3.265 O.D.)



Forward gear has retaining ring to stop needle bearing moving rearward

No. 11091

PINON AND FORWARD GEAR SET (13:21)
OEM: N/A
For 1991-1995 S/N 0D469859 thru 0F679999
With No. 21590 Forward Bearing (3.500 O.D.)



No. 11092

PINON AND FORWARD GEAR SET (13:21)
OEM: 43-878087A2
For 1996 & Up S/N 0F680000 & Up
With No. 21593 Forward Bearing (3.265 O.D.)



No. 11060

CLUTCH DOG - ALL
OEM: 52-853594T



No. 11050

SPRING
OEM: 24-30893



No. 21131

CROSS PIN
OEM: 17-30632



MC-1/R/MR/
Alpha One/Alpha One Gen II

No. 11012

THRUST SPACER
OEM: 23-824108



No. 11012

THRUST SPACER
OEM: 23-824108



No. 11013

REVERSE GEAR
OEM: 43-828073A1
With Thrust Spacer



No. 11013

REVERSE GEAR
OEM: 43-828073A1
With Thrust Spacer



MerCruiser

GEARCASE GEAR SETS - MC-1 / R / MR / ALPHA ONE

For MC-1 & R

For MR & Alpha One

No. 11300

COMPLETE GEAR SET
OEM: 43-96084A4
(No. 11100 & No. 11020)

Without Pinion Bearing



No. 11312

COMPLETE GEAR SET (13:21)
OEM: 43-878087A4
(No. 11091 & No. 11013)

With No. 21590 Forward Bearing (3.500 O.D.)



The forward gear has a retaining ring to stop needle bearing moving rearward

No. 11100

PINION AND FORWARD GEAR SET
OEM: 43-96084A7



No. 11091

PINION AND FORWARD GEAR SET (13:21)
OEM: N/A
With No. 21590 Forward Bearing (3.500 O.D.)



No. 11060

CLUTCH DOG - ALL
OEM: 52-853594T



No. 11050

SPRING
OEM: 24-30893



No. 11020

REVERSE GEAR
OEM: 43-92320T



No. 21131

CROSS PIN
OEM: 17-30632



MC-1/R/MR/
Alpha One/Alpha One Gen II

No. 11012

THRUST SPACER
OEM: 23-824108



No. 11013

REVERSE GEAR
OEM: 43-828073A1
With Thrust Spacer



MerCruiser

GEARCASE GEAR SET, CLUTCH & REPAIR KIT APPLICATIONS

Model	Gear Ratio	Year	Serial No. Range	Pinion & Frwd Gear	Reverse Gear	Complete Gear Set	Clutch Dog	Lower Unit Repair Kits
I	2.00	1963	1534570-1536617	-	-	-	-	N/A
I	2.00	1963	1536618-1684187	N.L.A.	N.L.A.	N.L.A.	N.L.A.	N/A
IA & EZ Shift	1.84	1964-1966	1684188-2065186	-	-	-	-	N/A
120 / 140	1.98	1967-1972	2062141-3443920	-	-	-	-	N/A
120 / 140	1.98	1972-1982	3469428-6225576	11100	11020	11300	11060	N/A
470 / 485	1.84	1976-1982	4208730-6225575	11100	11020	11300	11060	N/A
160	1.68	1967-1972	2065190-3443920	-	-	-	-	N/A
165	1.65	1972-1981	3469428 & Up	11100	11020	11300	11060	N/A
888	1.50	1971-1977	3106717 & Up	11100	11020	11300	11060	N/A
225 / 233	1.50 / 1.32	1974-1977	3856268 & Up	11100	11020	11300	11060	N/A
898 / 228	1.65 / 1.50	1977-1982	4782330-6225576	11100	11020	11300	11060	N/A
250 / 260	1.50 / 1.32	1977-1982	4791300-6225576	11100	11020	11300	11060	N/A
R	All	1983	6225577 & Up	11100	11020	11300	11060	25115
MR / Alpha One	All	1984-1990	6225577 & Up	11091	11013	11312	110602	25125
MR / Alpha One (CR)	All	1984-1990	6225577 & Up	-	-	-	-	-
Alpha One SS	All	1986-1989	0A545004 & Up	11091	11013	11312	11060	N/A
Alpha One Gen II	1.98 / 1.84 / 1.65 / 1.50	1991-1995	0D469859-0F679999	11091	11013	11312	11060	25135
Alpha One Gen II	2.40	1991-1995	0D469859-0F679999	-	-	-	-	-
Alpha One Gen II (CR)	All	1991-1995	0D469859-0F679999	-	-	-	-	-
Alpha One Gen II	1.94 / 1.81 / 1.62 / 1.47	1996-1997	0F680000-0K999999	11091	11013	11313	11060	25145
Alpha One Gen II	2.40	1996-1997	0F680000-0K999999	-	-	-	-	-
Alpha One Gen II (CR)	All	1996 & Up	0F680000 & Up	-	-	-	-	-
Alpha One Gen II	2.00 / 1.94 / 1.81 / 1.62 / 1.47	1998 & Up	0L100040 & Up	11091	11013	11313	11060	25155
Alpha One Gen II	2.40	1998 & Up	0L100040 & Up	-	-	-	-	-
Bravo I	All	1988-1995	0B664190 & Up	-	-	-	-	-
Bravo II	1.81 / 2.00 / 2.20	1988 & Up	0B664190 & Up	-	-	-	-	-
Bravo II	1.50 / 1.65	1988 & Up	0B664190 & Up	-	-	-	-	-
Bravo III	1.36 / 1.50	1988 & Up	0B664190 & Up	-	-	-	-	-
Bravo III	1.65	1988 & Up	0B664190 & Up	-	-	-	-	-
Bravo III	1.81 / 2.00 / 2.20	1988 & Up	0B664190 & Up	-	-	-	-	-
Bravo III	2.43	1988 & Up	0B664190 & Up	-	-	-	-	-
Blackhawk	1.36 / 1.50	1994 & Up	0F186717 & Up	-	-	-	-	N/A
Blackhawk	1.65	1994	0F186717-0F392505	-	-	-	-	N/A
Blackhawk	1.65	1994 & Up	0F392506 & Up	-	-	-	-	N/A
Blackhawk	1.81	1994 & Up	0F186717 & Up	-	-	-	-	N/A
TR	2.00	1973-1993	3377316 & Up	-	-	-	-	N/A
TRS	1.33	1973-1993	3377316 & Up	-	-	-	-	N/A
TRS	1.50	1973-1993	3377316 & Up	-	-	-	-	N/A

MerCruiser

GEARCASE BEARINGS

<p>No. 21621 BALL BEARING OEM: 30-31265</p> 	<p>No. 21840 BALL BEARING OEM: 30-63326T</p> 	<p>No. 21620 BALL BEARING OEM: 30-88957T</p> <p>For Reverse Gear</p> 	<p>No. 21590 TAPERED ROLLER BEARING OEM: 31-35928T1</p> <p>1.875" I.D. 3.500" O.D.</p> <p>For Forward Gear Large Bearing</p> 	
<p>No. 21591 TAPERED ROLLER BEARING OEM: 31-828437A2</p> <p>1.750" I.D. 3.500" O.D.</p> <p>For Forward Gear Large Bearing</p> 	<p>No. 21593 TAPERED ROLLER BEARING OEM: 31-828439A2</p> <p>1.875" I.D. 3.265" O.D.</p> <p>For Forward Gear Small Bearing</p> 	<p>No. 21820 TAPERED ROLLER BEARING OEM: 30-30894A1</p> <p>1.750" I.D. 3.500" O.D.</p> <p>For Forward Gear Large Bearing</p> 	<p>No. 21630 TAPERED ROLLER BEARING OEM: 31-38356A1</p> 	
<p>No. 11420 NEEDLE ROLLER BEARING OEM: 31-30895T</p> <p>For Forward Gear</p> 	<p>No. 11410 NEEDLE ROLLER BEARING OEM: 31-30956T</p> <p>For Propshaft Bearing Carrier</p> 	<p>No. 22770 NEEDLE ROLLER BEARING OEM: 31-15844</p> <p>Alpha Counter Rotating For Reverse Gear</p> 	<p>No. 21600 ROLLER BEARING OEM: 31-92366A1</p> <p>For MC-1/R Pinion Gear</p> 	<p>No. 21610 ROLLER BEARING OEM: 31-42647A1</p> <p>For Pinion Gear MR/Alpha One/Alpha One Gen II</p> 
<p>No. 21580 TAPERED ROLLER BEARING OEM: 31-36387A1</p> <p>No. 21584 OEM: 31-33138A1</p> <p>For Drive Shaft MR/Alpha One/Alpha One Gen II</p> 	<p>No. 21570 TAPERED ROLLER BEARING OEM: 31-53079A1</p> <p>For Drive Shaft MC-1/R</p> 	<p>No. 21581 TAPERED ROLLER BEARING OEM: 31-66668A1</p> <p>For Prop Shaft / Drive Shaft Bravo</p> 	<p>No. 21512 TAPERED ROLLER BEARING OEM: 31-86748A1</p> <p>For Drive Shaft Bravo</p> 	<p>No. 21592 TAPERED ROLLER BEARING OEM: 31-86752A1</p> <p>For Forward Gear Bravo</p> 

MerCruiser

GEARCASE BEARING APPLICATIONS

Model	Year	Serial No. Range	Bearing Carrier Bearing	Drive Shaft Bearing Lower	Drive Shaft Bearing Upper	Fwd Gear Inside Roller Bearing	Fwd Gear Outer Bearing	Reverse Gear Bearing
60	1965-1966	1830753-2063740	-	-	-	-	21630	-
80 / 90	1966-1972	2063741-3225967	11410	-	N.L.A.	11420	21820	21621
I	1963	1534570-1536617	11410	-	21840	11420	21820	21621
I	1963	1536618-1563353	11410	-	-	11420	21820	21621
I	1963	1563354-1684187	11410	-	N.L.A.	11420	21820	21621
IA / IB / IC & EZ Shift	1964-1966	1684188-2065186	11410	-	21580	11420	21590	21620
120 / 140	1967-1969	2062141-2791956	11410	-	21580	11420	21590	21620
120 / 140	1970-1977	2791957-4893634	11410	-	21570	11420	21590	21620
120 / 140	1978-1982	4893635-6225576	11410	21600	21570	11420	21590	21620
470	1976-1977	4208730-4893934	11410	-	21570	11420	21590	21620
470 / 485	1978-1982	4893835-6225575	11410	21600	21570	11420	21590	21620
160	1967-1969	2065190-2763441	11410	-	21580	11420	21590	21620
165	1970-1977	2763442-4890459	11410	-	21570	11420	21590	21620
165	1978-1981	4890460 & Up	11410	21600	21570	11420	21590	21620
888	1971-1977	3106717 & Up	11410	-	21570	11420	21590	21620
225 / 233	1974-1977	3856268 & Up	11410	-	21570	11420	21590	21620
898 / 228	1977	4782330-4898729	11410	-	21570	11420	21590	21620
898 / 228	1978-1982	4898730-6225576	11410	21600	21570	11420	21590	21620
250	1977	4791300-4898729	11410	-	21570	11420	21590	21620
260	1978-1982	4898730-6225576	11410	21600	21570	11420	21590	21620
R	1983	6225577 & Up	11410	21600	21570	11420	21590	21620
MR / Alpha One	1984-1990	6225577 & Up	11410	21610	21580	11420	21590	21620
MR / Alpha One (CR)	1984-1990	6225577 & Up	11410	21610	21580	-	-	-
Alpha One SS	1986-1989	0A545004 & Up	11410	21610	21580	11420	21590	21620

MerCruiser

GEARCASE BEARING APPLICATIONS

Model	Year	Serial No. Range	Bearing Carrier Bearing	Drive Shaft Bearing Lower	Drive Shaft Bearing Upper	Fwd Gear Inside Roller Bearing	Fwd Gear Outer Bearing	Reverse Gear Bearing
Alpha One Gen II	1991-1995	0D469859-0F679999	11410	21610	21580	11420	21590	21620
Alpha One Gen II (CR)	1991-1995	0D469859-0F679999	11410	21610	21580	-	-	-
Alpha One Gen II	1996-1997	0F680000-0K999999	11410	21610	21580	11420	21820	21620
Alpha One Gen II	1996-1997	0F680000-0K999999	11410	21610	21580	11420	21591	21620
Alpha One Gen II (CR)	1996-1997	0F680000-0K999999	11410	21610	21580	-	-	22770
Alpha One Gen II (CR)	1996-1997	0F680000-0K999999	11410	21610	21580	-	-	-
Alpha One Gen II	1998 & Up	0L100040 & Up	11410	21610	21584	11420	21820	21620
Alpha One Gen II (CR)	1998 & Up	0L100040 & Up	11410	21610	21584	-	-	22770
Alpha One Gen II (CR)	1998 & Up	0L100040 & Up	11410	21610	21584	-	-	-
Bravo I	1988 & Up	0B664190 & Up	21581	-	21512	N/A	21592	N/A
Bravo I	1988 & Up	0B664190 & Up	21581	-	21581	N/A	21592	N/A
Bravo II	1988 & Up	0B664190 & Up	-	-	21512	N/A	-	N/A
Bravo II	1988 & Up	0B664190 & Up	-	-	21581	N/A	-	N/A
Bravo III	1988 & Up	0B664190 & Up	-	-	21512	N/A	21592	-
Bravo III	1988 & Up	0B664190 & Up	-	-	21581	N/A	21592	-
Blackhawk	1994-1995	0F186717 & Up	-	-	21580	N/A	21592	-
Blackhawk	1994-1995	0F186717 & Up	-	-	-	N/A	21590	-
II	1962-1969	1474909-2671321	N.L.A.	-	N.L.A.	N.L.A.	21820	N/A
III	1968-1972	2373127-3002613	N.L.A.	-	N.L.A.	N.L.A.	N.L.A.	N/A
215E/H	1970-1972	2782203-2915034	-	-	N.L.A.	N/A	-	-
TR	1973-1993	3377316 & Up	-	-	21540	N/A	-	-
TR	1973-1993	3377316 & Up	-	-	-	N/A	-	-
TRS	1973-1993	3377316 & Up	11410	-	-	N/A	21590	21581
TRS	1973-1993	3377316 & Up	11410	-	-	N/A	-	21590

MerCruiser

BEARING CARRIER ASSEMBLY

No. 11405

OEM: 73020A14, 73020A20
818763A4, 818763A10

Kits Contain:

GLM	OEM	ITEM
11080	28-30281	Gasket
11404	N/A	Bearing Carrier
12702	806105Q1	Anode
12832 (2)	10-806290	Screw
21491 (2)	13-69432	Lockwasher
83445	25-896524	O-ring



GLM Design!

Replaces:
No. 11400 & No. 11402



Front View

No. 11380

TAB WASHER
OEM: 14-79447



No. 11381

TAB WASHER KEYED
OEM: 14-18323



No. 21110

COVER NUT
OEM: 52699



No. 21120

COVER NUT
OEM: 8M2011027



BEARING CARRIER APPLICATIONS

Model	Year	Serial No. Range	Bearing Carrier	Cover Nut	Bearing Carrier Tab Washer
60	1965-1966	1830753-2063740	-	-	N.L.A.
80 / 90	1966-1972	2063741-3225967	N.L.A.	21110	-
I	1963	1534570-1684187	-	21110	-
IA / IB / IC & EZ	1964	1684188-1777798	-	21120	-
120 / 140	1967-1969	2062141-2791956	-	21120	-
120 / 140	1970-1982	2791957-6225576	11405	21120	11380
470 / 485	1976-1982	4208730-6225575	11405	21120	11380
160	1967-1969	2065190-2763441	-	21120	-
165	1970-1981	2763442 & Up	11405	21120	11380
898 / 225 / 233	1971-1977	3784375 & Up	11405	21120	11380
898 / 228 / 250 / 260	1977-1982	4782330-6225576	11405	21120	11380
R	1983	6225577 & Up	11405	21120	11381
MR / Alpha One Grcs.	1984-1990	6225577 & Up	11405	21120	11381
MR / Alpha One (CR)	1984-1990	6225577 & Up	-	21120	11381
Alpha One SS	1986-1989	0A545004 & Up	11405	21120	11380
Alpha One Gen II	1991 & Up	0D469859 & Up	11405	21120	11381
Alpha One Gen II (CR)	1991-1995	0D469859-0F679999	-	21120	11381
Alpha One Gen II (CR)	1996 & Up	0F680000 & Up	-	21120	11381
Bravo I	1988 & Up	0B664190 & Up	-	21120	11381
Bravo II	1988 & Up	0B664190 & Up	-	21120	-
Bravo III	1988 & Up	0B664190 & Up	-	-	N/A
Blackhawk	1994-1995	0F186717 & Up	-	-	N/A
III	1968-1972	2373127-3002613	N.L.A.	-	-
215 H	1970	2782203-2909034	N.L.A.	-	-
215 E	1970-1972	2909035-2915034	N.L.A.	-	-
TR	1973-1993	3377316 & Up	-	-	-
TRS	1973-1993	3377316 & Up	-	21120	11380

MerCruiser

PROP SHAFT, DRIVE SHAFT, SHIFT SHAFT

No. 11110

DRIVE SHAFT
OEM: 45-41939F1
For Mercruiser I, except MR/ALPHA



No. 11120

DRIVE SHAFT
OEM: 45-42634
For MR/ALPHA drives w/o preload pins



No. 11140

DRIVE SHAFT
OEM: 45-816919, 45-816472
45-853647, 45-853648
For Alpha One Gen II (1991 & Up)
Fits All Ratio



No. 11150

PROP SHAFT
OEM: 44-824110
For MC-I/R/MR/Alpha One/Gen II (1997 & Before)



No. 11155

PROP SHAFT
OEM: 44-850308
For Alpha One Gen II (1998 & Up)



No. 21030

LOWER SHIFT SHAFT
OEM: 77481-1
For MC-I/R/MR/Alpha



No. 21031

LOWER SHIFT SHAFT
OEM: 815919A1
For Alpha Gen II



PROP SHAFT, DRIVE SHAFT, SHIFT SHAFT APPLICATIONS

Model	Year	Serial No. Range	Lower Gearcase Driveshaft	Prop Shaft	Shift Shaft
IA / IB / IC EZ	1965-1966	1776349-2065186	-	N.L.A.	21030
120 / 140	1967-1969	2062141-2791956	-	N.L.A.	21030
120 / 140	1970-1982	2791957-6225576	11110	11150	21030
470 / 485	1976-1982	4208730-6225575	11110	11150	21030
160	1967-1969	2065190-2763441	-	N.L.A.	21030
165	1970-1981	2763442 & Up	11110	11150	21030
888 / 225 / 233	1971-1977	3106717 & Up	11110	11150	21030
898 / 228 / 250 / 260	1977-1982	4782330-6225576	11110	11150	21030
R	1983	6225577 & Up	11110	11150	21030
MR / Alpha One Grcs.	1984-1990	6225577 & Up	11120	11150	21030
MR / Alpha One (CS)	1984-1990	6225577 & Up	11120	-	21030
Alpha One SS	1986-1989	0A545004 & Up	-	11150	-
Alpha One Gen II	1991-1997	0D469859-0K999999	11140	11150	21031
Alpha One Gen II (CR)	1991-1995	0D469859-0F679999	11140	-	21031
Alpha One Gen II (CR)	1996-1997	0F680000-0K999999	11140	-	21031
Alpha One Gen II	1998 & Up	0L100040 & Up	11140	11155	21031
Alpha One Gen II (CR)	1998 & Up	0L100040 & Up	-	-	21031

MerCruiser

GEARCASE COMPONENTS

No. 21015

SHIFT BUSHING
OEM: 23-815921A21



No. 85850

SLEEVE
OEM: 23-67370



No. 21017

SHIFT BUSHING
OEM: 23-815921A20



No. 21136

E-RING
OEM: 53-29641



No. 21016

BUSHING SERVICE KIT
OEM: N/A



Alpha One Gen II

No. 11040

SHIFT CRANK
OEM: 76865



Alpha One
Alpha One Gen II

No. 11030

SHIFT SPOOL
OEM: 818349T1



Alpha One / Alpha One Gen II

No. 23200

RETAINER
OEM: 824519-1



No. 12341

CARRIER ASSEMBLY
OEM: 807929A1



No. 11191

PINION NUT SET
OEM: 12-92721 + 11-35921



No. 11190

PINION NUT
OEM: 11-35921



No. 32800

WASHER
OEM: 12-92721



Alpha One / Alpha One Gen II

MerCruiser

GEARCASE COMPONENTS

No. 21741

SCREW
OEM: 10-806327



Alpha One Gen II

No. 22430

SCREW
OEM: 10-30206



Alpha One / Alpha One Gen II

No. 21731

DRAINING SCREW SET
OEM: 22-8M0058389



No. 11080

KEY
OEM: 28-30281



Alpha One

No. 21740

TRIM TAB SCREW
OEM: 10-32470



Alpha One

No. 31170

GASKET
OEM: 12-19183-3



For All

No. 12822

SCREW
OEM: 10-76156



No. 21880

INSERT - Port
OEM: 93424-1



No. 21870

INSERT - Starboard
OEM: 93423-1



MC-1 / R / MR / Alpha

No. 21161

NUT
OEM: 11-45812

No. 21180

NUT
OEM: 11-826711-9



No. 21800

WASHER
OEM: 12-8M0042641



No. 30010

GASKET
OEM: 12-31266



No. 21010

SHIFT BUSHING
OEM: 23-30617A2



No. 32790

WASHER
OEM: 12-27880




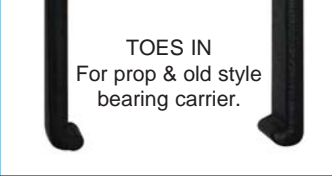
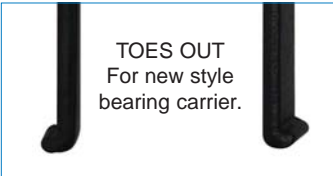

MC1 / R / MR / Alpha One

MerCruiser

PROP HARDWARE

<p>No. 21301 THRUST HUB (BRASS) OEM: 12-835467-1</p> <p>No. 21300 (STAINLESS STEEL) OEM: 13171</p> 	<p>No. 21760 LOCK WASHER OEM: 13-42351-1</p> 	<p>No. 21360 TAB WASHER RECEIVER OEM: 12-31211A3</p> 	<p>No. 21200 TAB WASHER OEM: 14-816629Q</p> 	<p>No. 21230 PROP NUT OEM: 11-827614</p> 																								
<p>No. 21250 PROP NUT & TAB WASHER KIT OEM: 11-52707Q1</p> <p>Kits Contain:</p> <table border="0"> <tr> <td>GLM</td> <td>OEM</td> <td>ITEM</td> </tr> <tr> <td>21200 (2)</td> <td>14-816629Q</td> <td>Tab Washer</td> </tr> <tr> <td>21230</td> <td>11-827614</td> <td>Prop Nut</td> </tr> </table> 	GLM	OEM	ITEM	21200 (2)	14-816629Q	Tab Washer	21230	11-827614	Prop Nut	<p>No. 21305 PROP SERVICE KIT OEM: N/A</p> <p>Kits Contain:</p> <table border="0"> <tr> <td>GLM</td> <td>OEM</td> <td>ITEM</td> </tr> <tr> <td>21200</td> <td>14-816629Q</td> <td>Tab Washer</td> </tr> <tr> <td>21230</td> <td>11-827614</td> <td>Prop Nut</td> </tr> <tr> <td>21301</td> <td>12-835467-1</td> <td>Thrust Washer</td> </tr> <tr> <td>21360</td> <td>12-31211A3</td> <td>Tab Washer Receiver</td> </tr> <tr> <td>21760</td> <td>13-42351-1</td> <td>Lockwasher</td> </tr> </table> 	GLM	OEM	ITEM	21200	14-816629Q	Tab Washer	21230	11-827614	Prop Nut	21301	12-835467-1	Thrust Washer	21360	12-31211A3	Tab Washer Receiver	21760	13-42351-1	Lockwasher
GLM	OEM	ITEM																										
21200 (2)	14-816629Q	Tab Washer																										
21230	11-827614	Prop Nut																										
GLM	OEM	ITEM																										
21200	14-816629Q	Tab Washer																										
21230	11-827614	Prop Nut																										
21301	12-835467-1	Thrust Washer																										
21360	12-31211A3	Tab Washer Receiver																										
21760	13-42351-1	Lockwasher																										

PROP TOOLS

<p>No. 90095 PROP & BEARING CARRIER PULLER OEM: N/A Replaces No. 90090</p>  <p>TOES IN For prop & old style bearing carrier.</p> 	<p>Capacity: 5 Tons (min)</p> <p>TOES OUT For new style bearing carrier.</p> 
<p>For MerCruiser All Style Bearing Carrier and Most Prop.</p> <p>No. 90065 PROP WRENCH KIT - 1-1/16" OEM: 91-821887A1 Color Coded: Blue</p> <p>With Built In Tab Bender</p> 	



Section 4

Seawater Pumps

<i>Seawater Pump Assembly - Belt Driven</i>	70
<i>Seawater Pump Service Kits</i>	70
<i>Seawater Pump Assemblies</i>	71
<i>Complete Seawater Pump Kits - Drive Mounted</i>	72
<i>Upper Seawater Pump Housing Impeller Kit - Drive Mounted</i>	72
<i>Seawater Pump Impeller Service Kits - Drive Mounted</i>	73
<i>Seawater Pump Parts Applications</i>	73
<i>Water Pump & Outdrive Seal Kits</i>	74
<i>Seawater Pump Components - Alpha One Gen II</i>	75
<i>Belt Driven Pump</i>	75
<i>Seawater Pump Components - MC-1 / R / MR / Alpha One</i>	76

MerCruiser

SEAWATER PUMP ASSEMBLY - BELT DRIVEN

No. 12093

OEM: 46-807151A12
46-72774A32

All Brass Seawater Pump
with Stainless Steel Fittings



For engines with
V-belt

No. 12097

OEM: 46-807151A9

All Brass Seawater Pump
with Stainless Steel Fittings



For engines with
Serpentine belt

SEAWATER PUMP SERVICE KITS

No. 12088

OEM: 47-807151A14

Brass Housing



Fits GLM one piece brass body pump
Fits MerCruiser one piece pump

No. 12085

OEM: 47-59362Q7



Fits MerCruiser two piece pump

No. 22213

OEM: 861579



For engines with Serpentine belt

No. 12084

OEM: 47-59362T6



Fits GLM one piece
brass body pump
Fits MerCruiser one piece pump

No. 12083

OEM: 47-59362T5



Fits MerCruiser (1976 & Before)
with one piece brass pump

No. 12082

OEM: 47-59362A4



Fits MerCruiser
two piece pump

No. 89700




OEM: 47-862232A2



Fits MPI Engines
(2000 & Up)

MerCruiser

SEAWATER PUMP ASSEMBLIES

2-Piece Water Pump OEM "Plastic" Design	1-Piece Bronze Water Pump "GLM Design"	1-Piece Bronze Water Pump w/ Fuel Pump
<p>No. 22732 OEM: N/A</p>  <p>V-belt</p>	<p>No. 22734 OEM: N/A</p>  <p>Serpentine V-belt</p>	<p>No. 22736 OEM: N/A</p>  <p>V-belt</p>

GLM No.	Ref. No.	OEM No.	Description	Qty.
22441	1	10-73275	Screw (2-7/8")	2
22442	1	10-52743	Screw (3-3/4")	3
21664	2	12-20084	Washer	5
32740	3	27-805215-1	Gasket	1
12502	4	91916	Wear Plate	1
32730	5	27-94914	Gasket	1
89740	6	47-59362T1	Impeller	1
12826	7	19-59504	Plug	1
12392	8	46-807151A7	Impeller Housing	1
32731	9	-	Gasket	1
12501	10	94576	Wear Plate	1
22451	11	10-807356	Screw (Stainless Steel)	2
22452	11	10-74822	Screw (Stainless Steel)	3
21720	12	12-814806	Washer	5

MerCruiser

COMPLETE SEAWATER PUMP KITS - DRIVE MOUNTED

No. 12414

OEM: 817275Q4



Kit Contains:

GLM	OEM	ITEM	GLM	OEM	ITEM
12500	817276-1	Wear Plate	82110 (2)	25-21836	O-ring
30009	N/A	Gasket	85140	26-45577-1	Seal
31170	12-20260	Gasket	85590	26-816575A2	Face Seal
31240	27-817277-1	Gasket	89630	47-043026T2	Impeller

Alpha One Gen II

No. 12120

OEM: N/A



Kit Contains:

GLM	OEM	ITEM	GLM	OEM	ITEM
12321	46-57234A1	Pump Base	31050	27-42631-1	Gasket
12410	46-96148T1	Pump Housing	31170 (2)	12-19183-3	Gasket
12510	32435-1	Wear Plate	81160	25-30613	O-ring
12820	23-29804T	Guide Tube	82260	25-33145	O-ring
21330	25-30271	Slinger	82270	25-38099	O-ring
31010	27-85608-1	Gasket	85150	26-45577-1	Seal
31020	27-858524	Gasket	89840	47-89984T4	Impeller
31040	27-856704	Gasket			

MR / Alpha One (1984-1990)

No. 12110

OEM: N/A



Kit Contains:

GLM	OEM	ITEM	GLM	OEM	ITEM
12312	46-57234T1	Pump Base	31020	27-858524	Gasket
12410	46-96148T1	Pump Housing	31040	27-856704	Gasket
12510	32435-1	Wear Plate	31170 (2)	12-19183-3	Gasket
12820	23-29804T	Guide Tube	81160	25-30613	O-ring
21330	25-30271	Slinger	85140	26-45577-1	Seal
31010	27-85608-1	Gasket	89840	47-89984T4	Impeller

MC-1 / R (1970-1983)

No. 12130

OEM: N/A

Comes with Flush Screw



Kit Contains:

GLM	OEM	ITEM	GLM	OEM	ITEM
12330	46-48748A1	Pump Base	31020	27-858524	Gasket
12410	46-96148T1	Pump Housing	31040	27-856704	Gasket
12510	32435-1	Wear Plate	31170 (2)	12-19183-3	Gasket
12820	23-29804T	Guide Tube	81160	25-30613	O-ring
21330	25-30271	Slinger	85150	26-45577-1	Seal
31010	27-85608-1	Gasket	89840	47-89984T4	Impeller

MC-1 (1969 & Below)

UPPER SEAWATER PUMP HOUSING IMPELLER KIT - DRIVE MOUNTED

No. 12280

OEM: 46-96148T8

Kit Contains:

GLM	OEM	ITEM	GLM	OEM	ITEM
12410	48-96148A1	Housing	31050	27-42631-1	Gasket
12510	32435	Wear Plate	31170 (2)	12-20260	Gasket
12820	23-29804	Guide Tube	81160	25-30613	O-ring
21330	25-30271	Slinger	81390	25-90011	O-ring
31010	27-85608-1	Gasket	82250	25-30224	O-ring
31020	27-858524	Gasket	82260	25-33145	O-ring
31030	27-32438	Gasket	85140	26-45577-1	Seal
31040	27-856704	Gasket	89840	47-89984T4	Impeller



MC-1 / R / MR / Alpha One

MerCruiser

SEAWATER PUMP IMPELLER SERVICE KITS/DRIVE MOUNTED

No. 12080

OEM: N/A



Kit Contains:

GLM	OEM	ITEM
12341	807929A1	Carrier Assembly
12500	817276-1	Wear plate
30009	27-43033-1	Gasket
31240	27-817277-1	Gasket
89630	47-43026T2	Impeller

Alpha One Gen II

No. 12043

OEM: 47-43026K06



Kit Contains:

GLM	OEM	ITEM	GLM	OEM	ITEM
11071	28-43037	Key	31240	27-817277-1	Gasket
12500	817276-1	Wear plate	85140	26-45577-1	Seal
12824	816597A1	Coupling Assy.	85590	26-816575A2	Seal
30009	27-43033-1	Gasket	89630	47-43026T2	Impeller
31170 (2)	12-19183-3	Gasket			

Alpha One Gen II

No. 12290

OEM: 47-89984T5



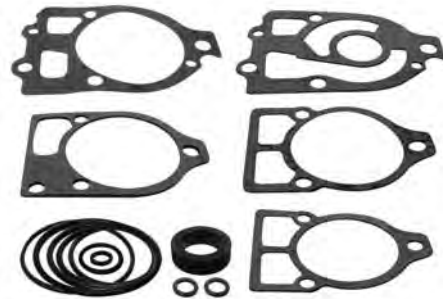
Kit Contains:

GLM	OEM	ITEM	GLM	OEM	ITEM
12510	32435-1	Wear Plate	31170 (2)	12-19183-3	Gasket
12820	23-29804T	Guide Tube	81390	25-90011	O-ring
12830	26-38970	Grommet	81160	25-30613	O-ring
21330	25-30271	Slinger	82250	25-30224	O-ring
31010	27-85608-1	Gasket	82260	25-33145	O-ring
31020	27-858524	Gasket	82270	25-38099	O-ring
31030	27-32438	Gasket	85140	26-45577-1	Seal
31040	27-856704	Gasket	89840	47-89984T4	Impeller
31050	27-42631-1	Gasket			

MC-1 / R / MR / Alpha One

No. 39530

OEM: N/A



Kit Contains:

GLM	OEM	ITEM	GLM	OEM	ITEM
21330	25-30271	Slinger	81390	25-90011	O-ring
31010	27-85608-1	Gasket	81160	25-30613	O-ring
31020	27-858524	Gasket	82240	25-26722	O-ring
31030	27-32438	Gasket	82250	25-30224	O-ring
31040	27-856704	Gasket	82260	25-33145	O-ring
31050	27-42631-1	Gasket	82270	25-38099	O-ring
31170 (2)	12-19183-3	Gasket	85140	26-45577-1	Seal

MC-1 / R / MR / Alpha One

SEAWATER PUMP PARTS APPLICATION GUIDE

Model No.	Serial No.	Rebuilt Kit	Complete Kit	Housing Kit	Service Kit	Pump Base	Impeller
MC-1 w/ Flush Screw	2495186-2763441	-	12130	12280	12290 / 39530	12330 / 12333	89840
MC-1 w/o Flush Screw	2763442-6854392	88010	12110	12280	12290 / 39530	12310 / 12311	89840
MR / Alpha One	6854393-OD469858	88020	12120	12280	12290 / 39530	12320 / 12322	89840
Alpha One Gen II	OD469859 & Up	-	12414	-	12080	12341	89630
Bravo I / II / III	OB664190 & Up	-	-	-	12082-12085	-	89740

MerCruiser

WATER PUMP & OUTDRIVE SEAL KITS

No. 88010

WATER PUMP & SEALS
SERVICE KIT
OEM: N/A

Kit Contains:

GLM	OEM	ITEM
12110	46-57234A3	Complete Water Pump Kit
87500	26-32511A1	Upper Housing Seal Kit
87510	26-33144A2	Lower Housing Seal Kit

Serial No. 2663442-6225576

MC-1 / R
(1970-1983)



No. 88020

WATER PUMP & SEALS
SERVICE KIT
OEM: N/A

Kit Contains:

GLM	OEM	ITEM
12120	46-44292A5	Complete Water Pump Kit
87500	26-32511A1	Upper Housing Seal Kit
87510	26-33144A2	Lower Housing Seal Kit

Serial No. 6225577 & Up

MR / Alpha One
(1984-1990)



MerCruiser

SEAWATER PUMP COMPONENTS - ALPHA ONE GEN II

No. 89630
IMPELLER
OEM: 47-43026T2



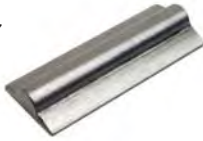
No. 85590
FACE SEAL
OEM: 26-816575A2



No. 31240
GASKET
OEM: 27-817277-1



No. 11071
KEY
OEM: 28-43037



No. 12825
GUIDE TUBE
OEM: 23-816583



No. 12500
FACE PLATE
OEM: 817276-1



No. 12834
SCREW-
GEN II COVER
OEM: 10-816928



No. 12824
COUPLING ASSEMBLY
OEM: 816597A1



No. 30090
GASKET
OEM: 27-43033-1



BELT DRIVEN PUMP

No. 32730
GASKET
OEM: 27-94914



No. 32740
GASKET
OEM: 27-805215-1



No. 32731
GASKET
OEM: N/A



For GLM Bronze Housing

No. 12501
WEAR PLATE
OEM: 94576



No. 12502
WEAR PLATE
OEM: 94916



No. 12504
WEAR PLATE
OEM: 59503



No. 89740
IMPELLER
OEM: 47-59362T1
Comes with No.12826



View of Hub



For All Bravo

No. 12826
PLUG
OEM: 19-59504



No. 85200
SEAL (1/2" O.D.)
OEM: 26-36556



For Bravo Water Passage

No. 89700
IMPELLER
OEM: 47-862232A2
Comes with No.81530

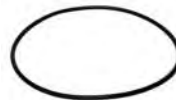


View of Hub



Fits MPI Engines (2000 & Up)

No. 81530
O-RING
OEM: 25-841807



No. 85250
SEAL (5/8" O.D.)
OEM: 26-805344



For Bravo Water Passage

MerCruiser

SEAWATER PUMP COMPONENTS - MC-1 / R / MR / ALPHA ONE

No. 12833

SCREW -
WATER PUMP
COVER
OEM: 10-96411



No. 12810

WATER PUMP CUP
OEM: 48752



No. 31020

GASKET
OEM: 27-858524



No. 12820

GUIDE TUBE
OEM: 23-29804T



No. 12821

SCREW -
WATER PUMP
COVER
OEM: 10-30720



No. 89840

IMPELLER
OEM: 47-89984T4

No. 11070

KEY
OEM: 28-56654



No. 12510

WEAR PLATE
OEM: 32435



No. 12830

GROMMET
OEM: 26-38970



No. 12330

WATER PUMP BASE
OEM: 46-48748A1
With Flush Screw Hole



No. 12310

WATER PUMP BASE
OEM: 46-57234A1



No. 31010

GASKET
OEM: 27-85608-1



No. 12410

WATER PUMP HOUSING
OEM: 46-96148T1



No. 31040

GASKET
OEM: 27-856704



(1969 & Before)

No. 31040

GASKET
OEM: 27-856704



(1970-1983)

No. 31050

GASKET
OEM: 27-42631-1



(1984-1990)

No. 12320

WATER PUMP BASE
AND GASKET KIT
OEM: 46-44292A3



No. 12333

WATER PUMP BASE KIT
OEM: 46-48748T1



(1969 & Before)

No. 12311

WATER PUMP BASE KIT
OEM: 46-57234T1



(1970-1983)

No. 12322

WATER PUMP BASE KIT
OEM: 46-44292A3



(1984-1990)

(1984-1990)

Section 5

Transom Assembly Components Couplers

<i>Gimbal Bearing Flyer.....</i>	<i>78</i>
<i>Bell Housing Breakdown - Alpha One Gen II</i>	<i>79</i>
<i>Bell Housing Breakdown - MC-1 / R / MR / Alpha One</i>	<i>80</i>
<i>Bell Housing Breakdown - Bravo.....</i>	<i>81</i>
<i>Gimbal Hsg. Breakdown - MC-1 / R / MR / Alpha One / Alpha One Gen II</i>	<i>82</i>
<i>Gimbal Hsg. Breakdown - Bravo</i>	<i>83</i>
<i>Transom Plate & Shift Cable Breakdown</i>	<i>84</i>
<i>Transom Service Kits</i>	<i>85</i>
<i>Bell Housing Gasket Sets & O-rings</i>	<i>86</i>
<i>Bellows</i>	<i>87</i>
<i>Transom Assembly Components</i>	<i>88</i>
<i>Transom Components & Bellows Applications</i>	<i>89</i>
<i>Shift Cable Kits</i>	<i>90</i>
<i>Shift Components</i>	<i>91</i>
<i>Engine Couplers</i>	<i>92</i>
<i>Motor Mount Kits & Components</i>	<i>93</i>

MerCruiser

GIMBAL BEARING

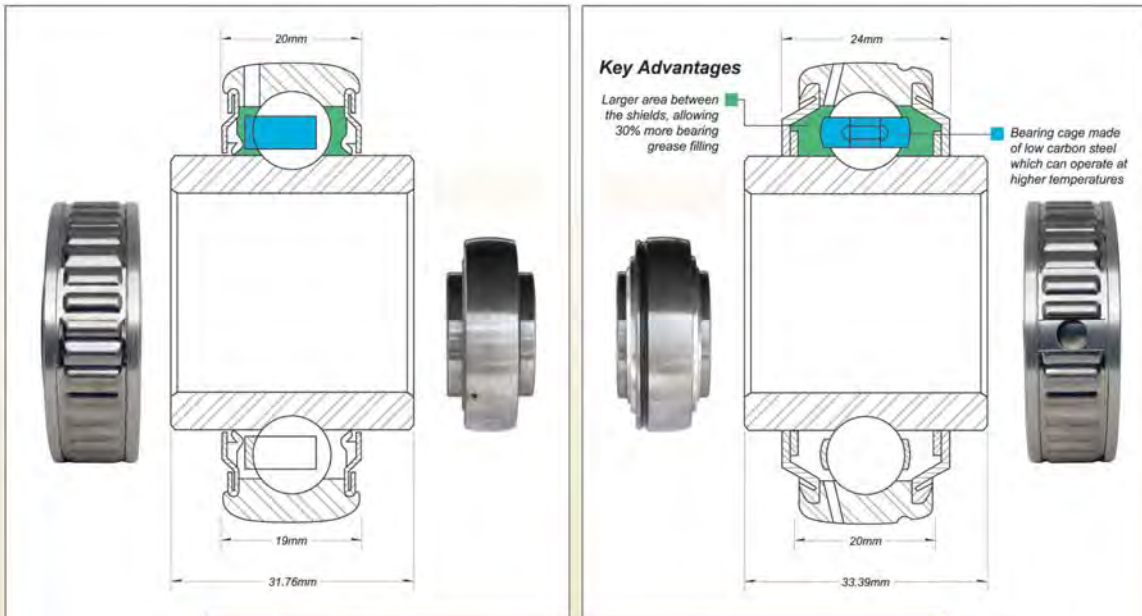
Side-by-Side Comparison

THE "OTHER" BRAND VS.



No. 21905

(OEM:30-862540A3, 30-60794A4)



PRODUCT RELEASE DATE	
2005	1992
QUANTITY SOLD	
N/A	Over 200,000 pieces
PRICE	
N/A	Lowest on the market
BEARING CAGE MATERIAL	
PA66 Fiberglass (Plastic)	Low Carbon Steel
BEARING SHIELD MATERIAL	
Low Carbon Steel	Low Carbon Steel
BEARING SEAL MATERIAL	
Buna N (Nitrile)	Buna N (Nitrile)
BEARING GREASE FILLING	
4.5 grams (approx) of N.L.G.I. #2	5.85 grams (approx) of N.L.G.I. #2
LAB TESTING	
N/A	Passed 17 phases of extensive testing
BEARING HOUSING MANUFACTURER	
N/A	GLM Built in U.S.A.
TOLERANCE RING MANUFACTURER	
U.S.A. Tolerance Ring Co.	U.S.A. Tolerance Ring Co.
BEARING ORIGIN	
N/A	One of the world's largest leading bearing manufacturers with plants located worldwide

Cage made of PA66 fiberglass (plastic)

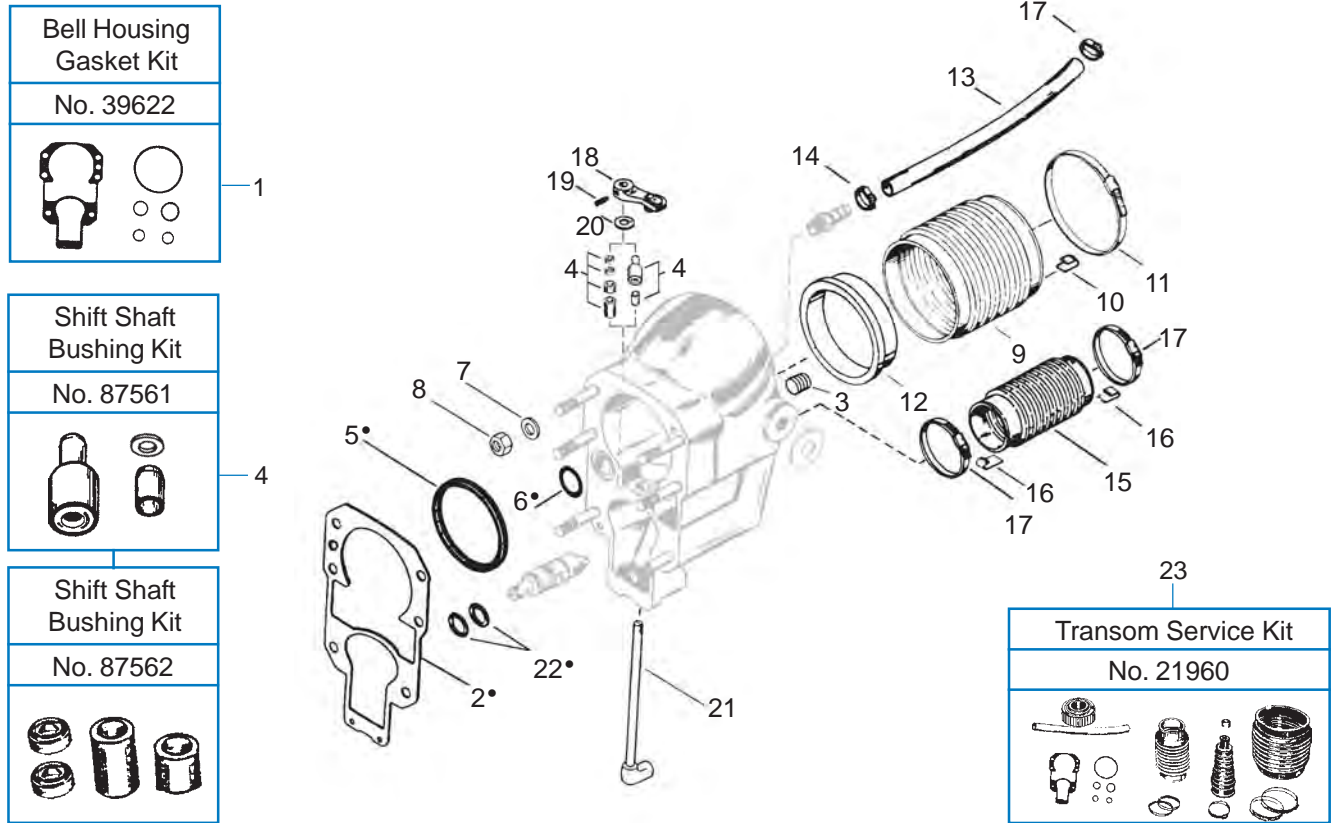
Cage made of low carbon steel

No. 21905



MerCruiser

BELL HOUSING - ALPHA ONE GEN II



GLM No.	Ref No.	OEM No.	Description
39622	1♦	27-94996T2	Bell Housing Gasket Kit
31141	2•	27-94996-2	Gasket
21893	3	22-32802	Pipe Plug
87561	4	23-805041A2	Bushing & Oil Seal Kit (Serial# F094774 & Below)
87562	4	23-806036A1	Bushing & Oil Seal Kit (Serial# F094775 & Up)
31160	5•	27-35982	Gasket, Rubber
82200	6•	25-33504	O-ring
21666	7	12-35935	Washer
21170	8	11-859116	Nut
89180	9♦	816431A1	Universal Joint Bellows Assembly
89440	10	54-86049	Grounding Clip
01100	11	54-815504372	Clamp
89181	12	816607	Sleeve
47110	13♦	32-41725-33	Water Hose
01073	14	54-815504412	Clamp
89100	15♦	18654A1	Exhaust Bellows
89440	16	54-86049	Grounding Clip
01070	17	54-815504348	Clamp
21140	18	45518A2	Lever Assembly
21750	19	10-45590	Screw (1-1/16")
30040	20+	12-39116	Washer
21419	21	816685	Shift Shaft, Upper
80120	22•	25-48171	O-ring
21960	23	30-803099T1	Transom Service Kit
<ul style="list-style-type: none"> ♦ Included in Kit No. 39622 ♦ Included in Kit No. 21960 + Included in Kit No. 87561 			

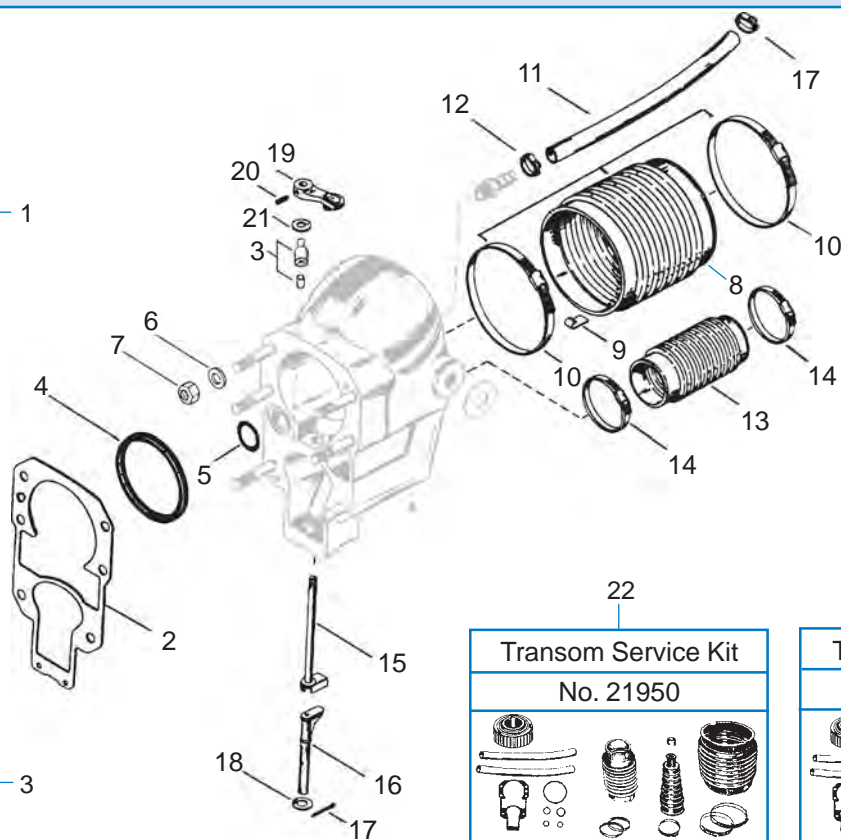
MerCruiser

BELL HOUSING - MC-1 / R / MR / ALPHA ONE

Bell Housing Gasket Kit
No. 39590

Bell Housing Gasket Kit
No. 39622

Shift Shaft Bushing Kit
No. 87561



Transom Service Kit
No. 21950

Transom Service Kit
No. 21951

GLM No.	Ref No.	OEM No.	Description
39590	1	27-64818T4	Bell Housing Gasket Kit (MC-1)
39622	1*	27-94996T2	Bell Housing Gasket Kit (R, MR, Alpha One)
31130	2*	27-94996A1	Gasket (MC-1)
31141	2+	27-94996-2	Gasket (R, MR, Alpha One)
87561	3	23-805041A2	Shift Shaft Bushing Kit
31160	4**	27-35982	Gasket, Rubber
82200	5**	25-33504	O-ring
21666	6	12-35935	Washer
21170	7	11-13439-1	Nut
89050	8*-	60932A4	Bellows Assembly
89440	9	54-86049	Grounding Clip
01100	10	54-815504372	Clamp
47120	11*-	32-32461	Water Hose 5/8" I.D.
47110	11*-	32-41725-33	Water Hose 3/4" I.D.
01073	12	54-43510	Clamp
89100	13*	18654A1	Bellows
89150	13-	78458A1	Exhaust Tube (454 / Magnum / JackShaft Models)
01070	14	54-815504348	Clamp
21420	15	45589A3	Shaft Assembly
21421	16	62104	Shift Shaft
22100	17	18-32665	Cotter Pin
21422	18	12-32666	Washer
21140	19	45518A2	Lever Assembly
21750	20	10-45590	Screw
30040	21*	12-39116	Washer
21950	22	30-803097T1	Transom Service Kit with Exhaust Bellows
21951	23	30-803098T1	Transom Service Kit with Exhaust Tube

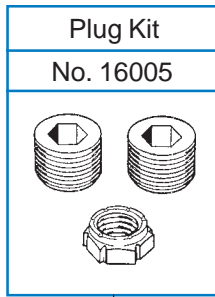
* Included in Kit No. 39590 + Included in Kit No. 39622

* Included in Kit No. 21950 ♦ Included in Kit No. 87561

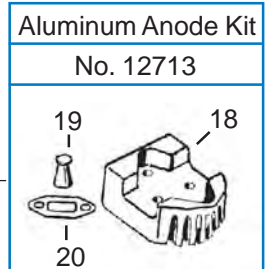
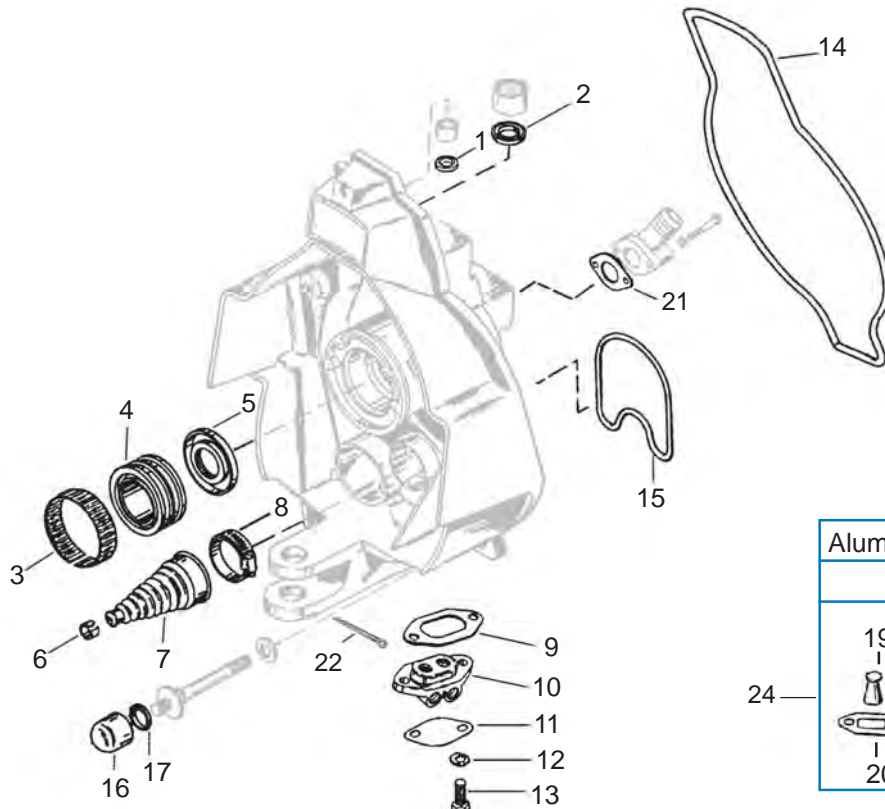
- Included in Kit No. 21951

MerCruiser

GIMBAL HOUSING - MC-1 / R / MR / ALPHA ONE / ALPHA ONE GEN II



23



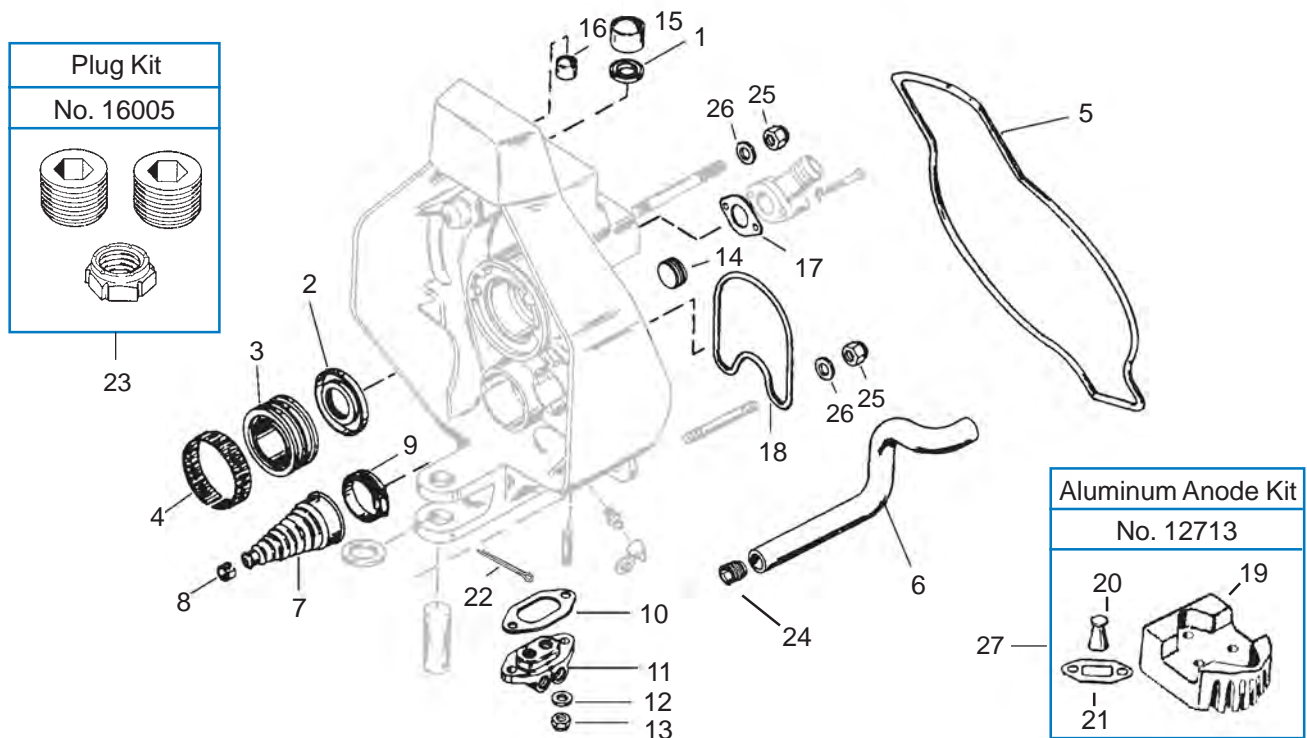
24

GLM No.	Ref No.	OEM No.	Description
85420	1	26-54925	Oil Seal
85440	2	26-32911	Oil Seal
21851	3	61075	Tolerance Ring
21905	4	30-879194A01	Gimbal Bearing
85910	5	26-88416	Oil Seal
21790	6	54-38863	Clamp
89080	7	74639A2	Bellow
21791	8	54-31766	Clamp
32500	9	27-98823-1	Gasket
21970	10	98825A4	Connector
32160	11	27-99506-1	Gasket
05009	12	13-78968	Lockwasher
22440	13	10-28636	Screw
86712	14	65533A1	Transom Seal (MC-1 / R / MR / Alpha One)
86711	14	43713	Transom Seal (Alpha One Gen II)
82460	15	326741	Seal
12700	16	55989Q9	Anode
30355	17	12-56085	Gasket
12713	18*	821631Q1	Anode
85656	19*	12077	Seal
32160	20*	27-99506-1	Gasket
33000	21	27-44108-1	Gasket
22147	22	18-54929	Cotter Pin
16005	23	22-88847A1	Plug Kit
12713	24	821631Q1	Aluminum Anode Kit

* Included in Kit No. 12713

MerCruiser

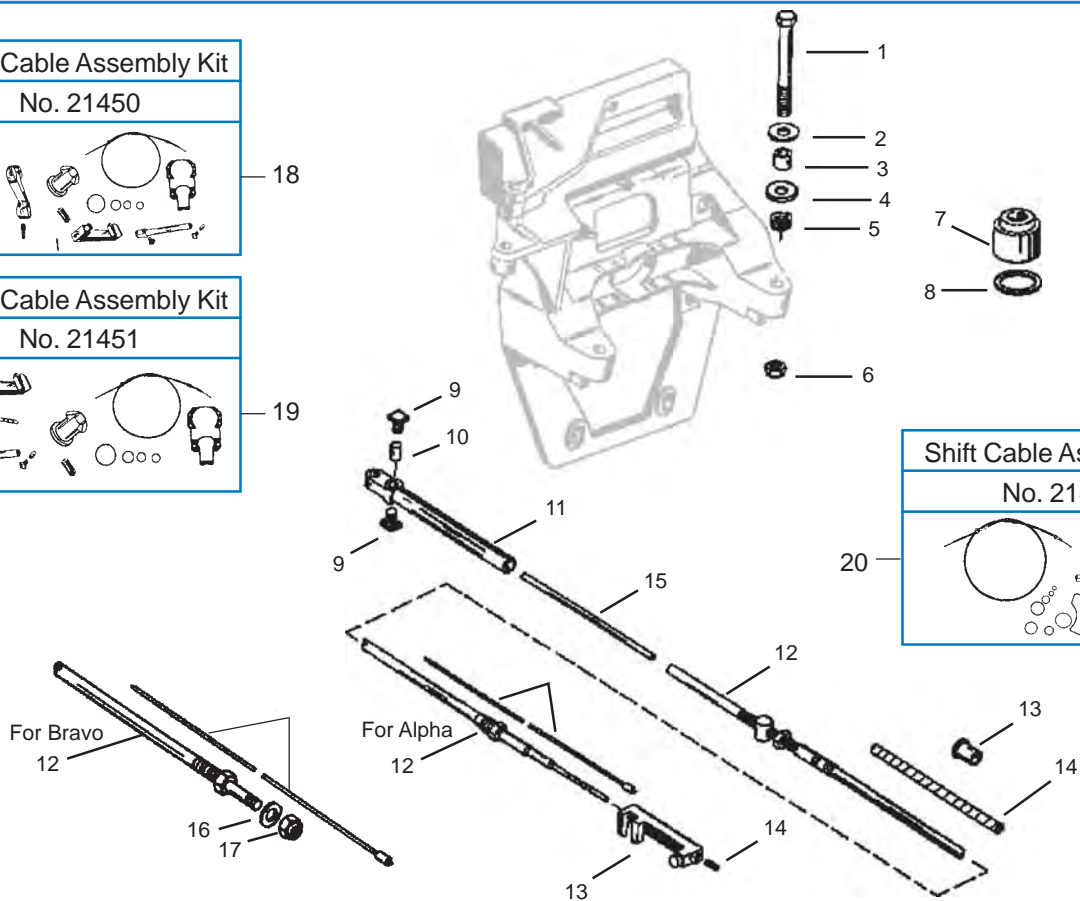
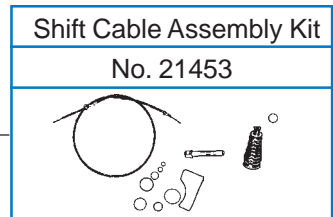
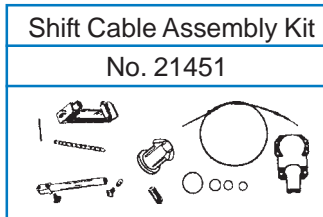
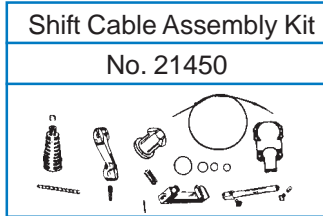
GIMBAL HOUSING - BRAVO



GLM No.	Ref No.	OEM No.	Description
85390	1	26-41607-1	Oil Seal
85910	2	26-88416	Oil Seal
21905	3	30-879194A01	Gimbal Bearing
21851	4	61075	Tolerance Ring
86711	5	43713	Transom Seal
47130	6	32-43437	Water Hose
89080	7	74639A2	Shift Cable Bellow
21790	8	54-38863	Clamp
21791	9	54-815504320	Clamp
32500	10	27-98823-1	Gasket
21970	11	98825A4	Connector
05009	12	13-78968	Lockwasher
21180	13	11-826711-9	Locknut
21896	14	22-42861-1	Plug
21694	15	23-98357-1	Bushing - Lower
21692	16	23-98356	Bushing - Upper
33000	17	27-44108-1	Gasket
86217	18	41802	Seal
12713	19•	821631Q1	Anode
85656	20•	12077	Seal
32160	21•	27-99506-1	Gasket
22147	22	18-54929	Cotter Pin
16005	23	22-88847A1	Plug Kit
47133	24	41674	Insert & Driver
21170	25	11-859116	Locknut
28420	26	12-45176	Washer
12713	27	821631Q1	Aluminum Anode Kit
• Included in Kit No. 12713			

MerCruiser

TRANSOM PLATE & SHIFT CABLE



GLM No.	Ref No.	OEM No.	Description
19310	1	10-97934	Bolt
19320	2	12-35777	Washer
19340	3	23-99299	Spacer
30020	4	12-32834	Fibre Washer
19330	5	13-33734	Lockwasher
19350	6	11-863332	Locknut
21040	7	99297A1	Motor Mount
21050	8	99322	Spacer
21433	9♦♦	10-20518	Set Screw
21432	10♦♦	43436	Anchor
21430	11♦+	43433	Guide
21710	12♦+	41951A1	Cable Assembly (MC1 / R / MR / Alpha One / Alpha One Gen II)
21711	12♦	815471A3	Cable Assembly (All Bravo)
21463	13♦♦	14705	Tube
21462	14♦+	38473	Wrapping
21780	15	32-38377	Tube
32600	16	12-815472	Washer
21162	17	11-49910	Nut
21450	18	865436A03	Shift Cable Assembly Kit w/ Gasket (R / MR / Alpha One / Alpha One Gen II)
21451	19	865436A02	Shift Cable Assembly Kit (R / MR / Alpha One / Alpha One Gen II)
21453	20	815471T1	Shift Cable Assembly Kit (Bravo)
♦ Included in Kit No. 21450			
+ Included in Kit No. 21451			
♦ Included in Kit No. 21453			

MerCruiser

TRANSOM SERVICE KITS

No. 21960

OEM: 30-803099T1



Kit Contains:

GLM	OEM	ITEM
21905	30-60792A4	Gimbal Bearing
39622	27-94996T2	Gasket Kit
47110	32-41725-33	Water Hose 3/4"
89080	74639	Shift Cable Bellow
89100	18654A1	Exhaust Bellow
89180	816431A1	U-Joint Bellow

Alpha One Gen II

No. 21961

OEM: 30-803100T1



Kit Contains:

GLM	OEM	ITEM
21905	30-60792A4	Gimbal Bearing
39640	16755T1	Drive Seal Kit
47130	32-43437	Water Hose
89080	74639	Shift Cable Bellow
89080	74639	Shift Cable Bellow
89100	18654A1	Exhaust Bellow
89140	86840A3	U-Joint Bellow
89150	78458A1	Exhaust Tube

Bravo

No. 21950

OEM: 30-803097T1



Kit Contains:

GLM	OEM	ITEM
21905	30-60792A4	Gimbal Bearing
39622	27-94996T2	Gasket Kit
47110	32-41725-33	Water Hose 3/4"
47120	32-32461	Water Hose 5/8"
89050	60932A4	U-Joint Bellow
89080	74639	Shift Cable Bellow
89100	18654A1	Exhaust Bellow

R / MR / Alpha One

No. 21951

OEM: 30-803098T1



Kit Contains:

GLM	OEM	ITEM
21905	30-60792A4	Gimbal Bearing
39622	27-94996T2	Gasket Kit
47110	32-41725-33	Water Hose 3/4"
47120	32-32461	Water Hose 5/8"
89050	60932A4	U-Joint Bellow
89080	74639	Shift Cable Bellow
89150	78458A1	Exhaust Tube

R / MR / Alpha One

MerCruiser

BELL HOUSING GASKET SETS & O-RINGS

No. 39622

OEM: 27-94996Q2



Alpha One Gen II / R / MR / Alpha One

No. 39640

OEM: 16755Q1



All Bravo & Blackhawk

No. 39590

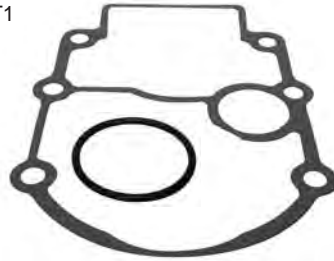
OEM: 27-64818T4



MC-1

No. 39600

OEM: 27-54014T1



E. H. TR & TRS

TRANSOM SEALS

No. 86711

TRANSOM SEAL
OEM: 43713



Alpha One Gen II / Bravo

No. 86712

TRANSOM SEAL
OEM: 65533A1



MC-1 / R / MR / Alpha One

BORG-WARNER TRANSMISSION OVERHAUL KIT

No. 87550

OEM: A4867HA



Kit Contains:

GLM	OEM	ITEM
08010	N/A	Gasket
08020	N/A	Gasket
08030	N/A	Gasket
08040	N/A	Gasket
08050	N/A	Gasket
08060	N/A	Gasket
08070	N/A	Gasket
08080	N/A	Gasket
08090	N/A	Gasket
08100	N/A	Gasket
82100	25-35276	O-ring
82260	25-33145	O-ring
82380	25-70937	O-ring
85710 (2)	N/A	Seal Ring
85720 (4)	N/A	Seal
85730	N/A	Seal
85740	N/A	Oil Seal
85750	N/A	Seal

MerCruiser

BELLOWS

No. 89050

UNIVERSAL JOINT BELLOW
WITH RIDGE
OEM: 60932A4

Comes with Clamps & Clips



Bellow Clip Only
No. 89440

MC-1 / R / MR / Alpha One
(1973-1990)

No. 89040

UNIVERSAL BELLOW
WITHOUT RIDGE
OEM: 36223A2

Comes with Clamps & Clips



MC-1
(1972 & Before)

No. 89140

UNIVERSAL BELLOW
OEM: 86840A3

Comes with Clamps & Sleeve



Bravo

No. 89180

UNIVERSAL JOINT BELLOW
OEM: 816431A1

Comes with Clamps & Sleeve



Alpha One Gen II
(1991 & Up)

No. 89100

EXHAUST BELLOW
OEM: 18654A1

Comes with Clamps & Clips



No. 89150

EXHAUST TUBE
OEM: 78458A1

Comes with Clamp & Clips



No. 89080

SHIFT CABLE BELLOW
OEM: 74639A2

Comes with Clamp



No. 21790

CABLE BELLOW CLAMP
OEM: 54-866507



No. 89440

BELLOW CLIP
OEM: 54-86049



MerCruiser

TRANSOM ASSEMBLY COMPONENTS

No. 47110

WATER HOSE
OEM: 32-41725-33
(3/4" O.D.)



R / MR / Alpha One
Alpha One Gen II

No. 47120

WATER HOSE
OEM: 32-32461
(5/8" O.D.)



MC-1 / R / MR

No. 47130

WATER HOSE
OEM: 32-43437

Comes with No.47133



Bravo

No. 47133

INSERT & DRIVER
OEM: 41674



Bravo

No. 89181

SLEEVE
OEM: 816607



Alpha One Gen II

No. 89141

SLEEVE
OEM: 862209



Bravo

No. 90470

BELLOW SLEEVE INSTALLER
OEM: 91-818162



Alpha One Gen II & Bravo

No. 16005

PLUG KIT
OEM: 22-88847A1



No. 21791 (1-3/4 O.D.)

HOSE CLAMP
OEM: 54-815504320

No. 01070 (3-1/2 O.D.)

OEM: 54-815504348

No. 01056 (4.0 O.D.)

OEM: 54-815504456

No. 01100 (5.0 O.D.)

OEM: 54-815504372



No. 21905

GIMBAL BEARING
OEM: 30-879194A01



MC-1, R, MR, Alpha One,
Alpha One Gen II & Bravo

GLM Built
in
U.S.A.

No. 21851

TOLERANCE RING
OEM: 61075



No. 85910

GIMBAL BEARING SEAL
OEM: 26-88416



MerCruiser

TRANSOM COMPONENT APPLICATIONS

Model	Year	Serial No. Range	Gimbal Bearing	Bell Hsg. Gasket Set	Bell Hsg. O-ring	Bell Hsg. Rubber Seal	Transom Service Kit	Transom Seal
60 / 80 / 90	1965-1966	1830753-2063740	-	-	-	82300	N/A	-
I	1963	1534570-1684187	-	-	82200	-	N/A	-
IA / IB / IC & EZ Shift	1964-1966	1684188-2065186	-	-	82200	31160	N/A	-
120 / 140	1967-1973	2062141-3780849	-	39590	82200	31160	N/A	-
120 / 140	1974-1977	3780850-4893634	21905	39590	82200	31160	N/A	86712
120 / 140	1978-1982	4893635-6225576	21905	39590	82200	31160	N/A	86712
470 / 485	1976-1982	4208730-6225575	21905	39590	82200	31160	N/A	-
160 / 165	1967-1973	2065190-3780849	-	39590	82200	31160	N/A	-
165	1974-1977	3780850-4890459	21905	39590	82200	31160	N/A	86712
165	1978-1981	4890460 & Up	21905	39590	82200	31160	N/A	-
888	1971-1973	3106717 & Up	-	39590	82200	31160	N/A	86712
888	1974-1977	3106717 & Up	21905	39590	82200	31160	N/A	-
225 / 233	1974-1977	3856268 & Up	21905	39590	82200	31160	N/A	86712
898 / 228	1977-1982	4782330-6225576	21905	39590	82200	31160	N/A	86712
250 / 260	1977-1982	4791300-6225576	21905	39590	82200	31160	N/A	86712
R, MR, Alpha One	1983-1990	6225577 & Up	21905	39622	82200	31160	21950	86712
R, MR, Alpha One	1983-1990	6225577 & Up	21905	39622	82200	31160	21951	86712
Alpha One SS	1986-1989	0A545004 & Up	21905	39622	82200	31160	21950	86712
Alpha One SS	1986-1989	0A545004 & Up	21905	39622	82200	31160	21951	86712
Alpha One Gen II	1991-2002	0D469859 & Up	21905	39622	82200	31160	21960	86711
Bravo I / II / III	1988-2002	0B664190 & Up	21905	39640	81270	N/A	21961	86711
Blackhawk	1994-1995	0F186717 & Up	-	39640	81270	N/A	21961	86711
II	1962-1969	1474909-2671321	-	N/A	N/A	N/A	N/A	N/A
III	1968-1972	2373127-3002613	-	-	83445	N/A	N/A	-
215E / H	1970-1972	2782203-2915034	-	39600	N/A	N/A	N/A	-
TR / TRS	1973-1993	3377316 & Up	-	39600	N/A	N/A	-	-

BELLOWS APPLICATIONS

Model	Year	Serial No. Range	Exhaust Bellows / Tube	Shift Cable Bellows	U-Joint Bellows
60 / 80 / 90	1965-1972	1830753-3225967	-	N/A	-
1 / 1A / 1B / 1C & EZ	1963-1966	1534570-2065186	89100	89080	-
120 / 140 / 160 / 165	1967-1972	2062141-3443920	89100	89080	89040
120 / 140 / 160 / 165	1972-1982	3469428-6225576	89100	89080	89050
888	1971-1972	3106717-3472477	89100	89080	89040
888	1973-1977	3472478 & Up	89100	89080	89050
225 / 233	1974-1977	3856268 & Up	89100	89080	89050
898 / 228 / 250 / 260	1977-1982	4782330-6225576	89100	89080	89050
R / MR / Alpha One	1983-1990	6225577 & Up	89100	89080	89050
R / MR / Alpha One	1983-1990	6225577 & Up	89150	89080	89050
Alpha One Gen II	1991 & Up	0D469859 & Up	89100	89080	89180
Bravo I / II / III	1988 & Up	0B664190 & Up	89100	89080	89140
Bravo I / II / III	1988 & Up	0B664190 & Up	89150	89080	89140
Blackhawk	1994-1995	0F186717 & Up	89100	89080	89140
Blackhawk	1994-1995	0F186717 & Up	89150	89080	89140
II	1962-1969	1474909-2671321	N/A	89080	N.L.A.
III	1968-1972	2373127-3002613	N/A	N/A	-
215H	1970	2782203-2909034	-	N/A	89040
215E	1970-1972	2909035-2915034	-	89080	89040
TR/TRS	1973-1993	3377316 & Up	-	N/A	89050
TR/TRS	1973-1993	3377316 & Up	-	N/A	89050

MerCruiser

SHIFT CABLE KITS

No. 21450

SHIFT CABLE ASSEMBLY KIT
OEM: 865436A03

New style cable with large core wire.
Fits newer Mercruisers that install from Aft end of bell housing.



Kit Contains:

GLM	OEM	ITEM	GLM	OEM	ITEM
21080	33981T1	Slide	21464	N/A	S.S. Wire
21090	10-31700	Set Screw	21710	41951A1	Shift Cable
21140	45518A2	Shift Arm	21750	10-45590	Set Screw
21430	43433	Guide	21790	54-38863	Bellow Clip
21432	43436	Anchor	21791	54-85504320	Hose Clamp
21433	10-20518	Set Screw	39622	27-94996A2	Gasket Kit
21462	38473	Wrapping	89080	74639	Bellow
21463	14705	Insert			

R / MR / Alpha One / Alpha One Gen II

No. 21451

SHIFT CABLE ASSEMBLY KIT
OEM: 865436A02

New style cable with large core wire.
Fits newer Mercruisers that install from Aft end of bell housing.



Kit Contains:

GLM	OEM	ITEM	GLM	OEM	ITEM
21080	33981T1	Slide	21462	38473	Wrapping
21090	10-31700	Set Screw	21463	14705	Insert
21430	43433	Guide	21464	N/A	S.S. Wire
21432	43436	Anchor	21710	41951A1	Shift Cable
21433 (2)	10-20518	Set Screw			

R / MR / Alpha One / Alpha One Gen II

No. 21453

SHIFT CABLE ASSEMBLY KIT
OEM:815471T1



Kit Contains:

GLM	OEM	ITEM	GLM	OEM	ITEM
21431	43433	Guide	81180 (2)	25-25439	O-ring
21432	43436	Anchor	81190 (2)	25-29845	O-ring
21433 (2)	10-20518	Set Screw	81270	25-45710 1	O-ring
21463	14705	Insert	81570	25-97387	O-ring
21711	865437A02	Shift Cable	82150	25-35027	O-ring
21790	54-38863	Bellow Clip	86310	16755Q1	Seal
21791	54-85504320	Hose Clamp	89081	N/A	Bellow
80180	25-62705	O-ring			

Bravo

No. 21711

SHIFT CABLE ASSEMBLY
OEM: 815471A6



Kit Contains:

GLM	OEM	ITEM
21162	11-49910	Nut
21462	38473	Wrapping
21712	N/A	Shift Cable
32600	12-815472	Gasket

Bravo

No. 21710

SHIFT CABLE ASSEMBLY
OEM: 41951A1

New style cable w/large core wire.
Fits newer Mercruisers that install from the AFT end of bell housing.



R / MR / Alpha One / Alpha One Gen II

No. 21462

WRAPPING
OEM:38473



No. 21470

CORE WIRE
OEM: N/A
Large diameter core wire.
Fits new style cable.
Without tube.



R / MR / Alpha One / Alpha One Gen II

No. 21463

INSERT
OEM:14705



MerCruiser

SHIFT COMPONENTS

No. 21419
UPPER SHIFT SHAFT
OEM: 816685



Alpha One Gen II

No. 21420
UPPER SHIFT SHAFT
OEM: 45589A3



MC-1 / R / MR / Alpha One

No. 21421
INTERMEDIATE SHIFT SHAFT
OEM: 62104-1



MC-1 / R / MR / Alpha One

No. 21418
UPPER SHIFT SHAFT
OEM: 12711



Bravo

No. 21144
SHIFT LEVER KIT
OEM: 45518T1



MC-1 / R / MR / Alpha One / Alpha One Gen II

No. 87562
SHIFT SHAFT BUSHING
OEM: 23-806036A1



Alpha One Gen II (S/N F094775 & Up)

No. 87561
SHIFT SHAFT BUSHING
OEM: 23-805041A2



No. 87563
SHIFT SHAFT BUSHING
OEM: 23-861209A1



Bravo

No. 21140
UPPER SHIFT SHAFT LEVER
OEM: 45518A3



No. 21080
SHIFT CABLE SLIDE
OEM: 850752-1



Comes with Set Screw No. 21090

No. 21090
SET SCREW
OEM: 10-31700



No. 21750
SET SCREW
OEM: 10-45590



MC-1 / R / MR / Alpha One / Alpha One Gen II

No. 21060
CONTROL BOX LEVER
OEM: 34682



No. 21430
GUIDE SET
OEM: 43433+43436+10-20518



Comes with Anchor & Set Screw
No. 21432 & 21433

No. 21432
ANCHOR
OEM: 43436



No. 21433
SET SCREW
OEM: 10-20518



No. 21070
CONTROL BOX CAM
OEM: 59369



MerCruiser

ENGINE COUPLERS

No. 11500

OEM: 76850A2

This coupler is used on all older Chevy engines with 2 piece rear main seals.



(1985 & Before)

No. 11510

OEM:59826A3

This coupler is used on all Ford engines.



No. 11520

OEM: 14505A2

This coupler is used when a new replacement V6 or V8 Chevy with one piece rear main seal is used to replace an older V6 or V8 with a 2 piece rear main seal.



(1986 & Up)

No. 11530

OEM:18643A7

(w/ Yoke)

Fits MCM GM V6 & V8 (305 & 350 CID) (1983-1993) & 454 MAG Alpha



No. 11532

OEM:18643A5

(w/o Yoke)

Fits MCM 3.0L (1999 & Up) GM V6 & V8 (305 & 350 CID) engines (1993 & Up)



Model	SN# / Yr.	GLM No.	Model	SN# / Yr.	GLM No.
110	1537370-204403	11500	225 & 225 S Ford	3385721 & Up	11510
120	1537370-6229717	11500	228	4765100-6218461	11500
120 (2.5L)	6229718 & Up	11500, 11520	228	6218462 & Up	11500, 11520
140	2508261-6229717	11500	230 (5.0L)	6218462-B525981	11500, 11520
140 (3.0L)	6229718 & Up 1538930	11500, 11520	230 (5.0L)	B525982 & Up	-
3.0L MCM	(1999 & Up)	11532	233 Ford	4173000 & Up	11510
140 (6 CYL.)	1725960	11500	250	4768000-4908849	11500
150	1666495-2048046	11500	260	4908850-6218461	11500
160	2048022-2770031	11500	260 (5.7L)	6218462-B525981	11500, 11520
165 (6 CYL.)	2770032 & Up	11500	260 (5.7L)	B5259812 & Up	-
175 (4.3L)	B5257955 & Up	11530	300 MR	6668677 & Up	11500
185 (229 CD)	6330183 & Up	11500	305 MCM	(1983-1993)	11530
185 (262 CID)	A331455 & Up	11500, 11520	305 MCM	(1999 & Up)	11532
888 Ford (188 HP)	3108723 & Up	11510	320 EFI	A543604 & Up	-
190	1564539 & Up	11500	350 MAG	A635178 & Up	-
898 (198 HP)	4762210 & Up	11500	350 MCM	(1983-1993)	11530
200	6218462 & Up	11500, 11520	350 MCM	(1999 & Up)	11532
205 (262 CID)	A331455-B527954	11500, 11520	454 MAG	A631894 & Up	-
205 (4.3L)	B5257955 & Up	-	454 MAG Alpha	(1983-1993)	11530
225	1539620-2694014	11500			

MerCruiser

MOTOR MOUNT KITS & COMPONENTS

No. 21810

MOTOR MOUNT BOLT KIT
OEM: 10-97934A1



Kit Contains:

GLM	OEM	ITEM
19310	10-97934	Bolt
19320	12-35777	Washer
19330	13-33734	Lockwasher
19340	23-99299	Spacer
19350	11-863332	Nut
30020	12-32834	Fibre Washer

No. 21811

REAR MOTOR MOUNT
SERVICE KIT
OEM: N/A



Kit Contains:

GLM	OEM	ITEM
19310	10-97934	Bolt
19320	12-35777	Washer
19330	13-33734	Lockwasher
19340	23-99299	Spacer
19350	11-863332	Nut
21040R	99297A1	Motor Mount
21050	23-99322	Spacer
30020	12-32834	Fibre Washer

No. 19310

BOLT
OEM: 10-97934



No. 19320

WASHER
OEM: 12-35777



No. 19340

SPACER
OEM: 23-99299



No. 19330

LOCKWASHER
OEM: 13-33734



No. 30020

FIBRE WASHER
OEM: 12-32834



No. 19350

LOCK NUT
OEM: 11-863332



No. 21040

REAR MOTOR MOUNT KIT
OEM: 99297A1



Kit Contains:

GLM	OEM	ITEM
21040 (2)	99297A1	Motor Mount
21050 (2)	23-99322	Spacer



Section 6

Power Trim

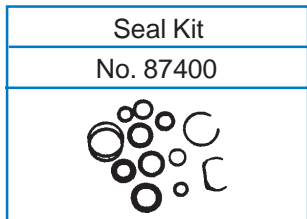
<i>Power Trim Cylinder Breakdown - Alpha One Gen II</i>	<i>96</i>
<i>Power Trim Cylinder Breakdown - R / MR / Alpha / Bravo</i>	<i>97</i>
<i>Power Trim Cylinder Breakdown - MC-1</i>	<i>98</i>
<i>Power Trim Cylinders - Complete</i>	<i>99</i>
<i>Power Trim Cylinder Components - (1983 & Up)</i>	<i>100</i>
<i>Power Trim Cylinder Components - MC-1 (1970-1980)</i>	<i>101</i>
<i>Power Trim Cylinders Application Guide</i>	<i>102</i>
<i>Trailer Clips</i>	<i>102</i>
<i>Trim Cyl. & Hydraulic Hoses Breakdown - Alpha One Gen II</i>	<i>103</i>
<i>Trim Cyl. & Hydraulic Hoses Breakdown - R / MR / Alpha One..</i>	<i>104</i>
<i>Trim Cyl. & Hydraulic Hoses Breakdown - Bravo</i>	<i>105</i>
<i>Trim Cyl. & Hydraulic Hoses Breakdown - MC-1 (1970-1980) ...</i>	<i>106</i>
<i>Trim Cylinder & Hydraulic Hose Components</i>	<i>107</i>
<i>Power Trim Ram Bushings, Pins & Kits - Alpha One Gen II</i>	<i>108</i>
<i>Power Trim Ram Bushings, Pins & Kits - R / MR / Alpha One</i>	<i>109</i>
<i>Power Trim Ram Bushings, Pins & Kits - Bravo</i>	<i>110</i>
<i>Power Trim Ram Bushings, Pins & Kits - MC-1 (1970-1982)</i>	<i>111</i>
<i>Power Trim Ram Bushings, Pins & Kits Application Guide</i>	<i>112</i>

MerCruiser

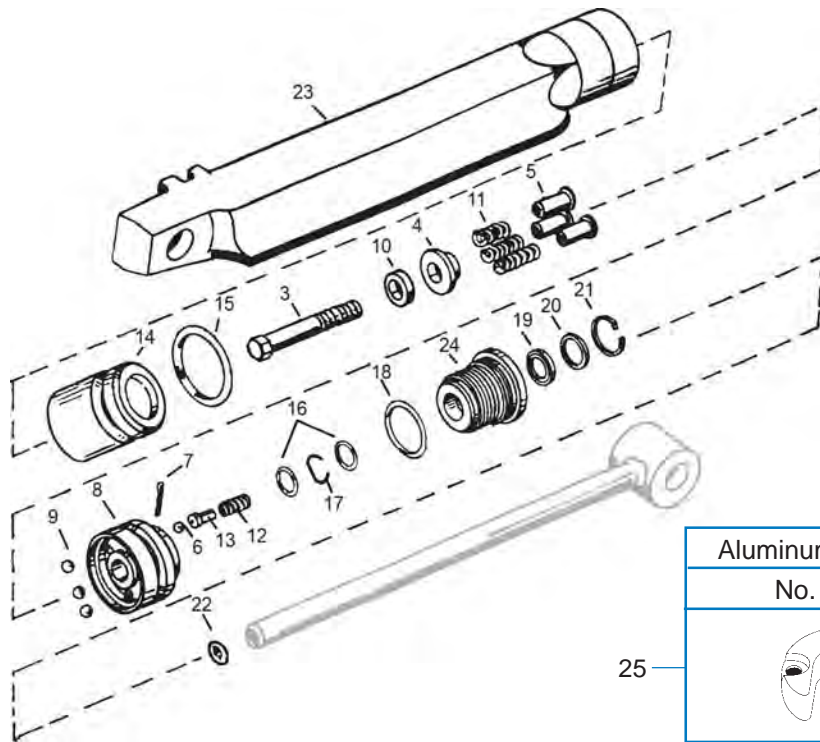
POWER TRIM CYLINDER - ALPHA ONE GEN II



1



2



Aluminum Anode Kit

No. 12703

25



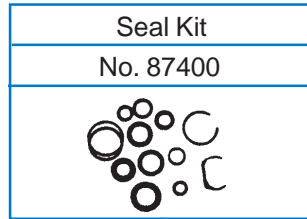
GLM No.	Ref No.	OEM No.	Description
26580	1	87399A3	Overhaul Kit
87400	2	25-87400A2	Seal Kit
-	3*	N.S.S.	Screw
-	4*	N.S.S.	Spring Seat
-	5*	N.S.S.	Valve Seat
-	6*	N.S.S.	Steel Ball
-	7*	N.S.S.	Spring Pin
-	8*	N.S.S.	Shock Piston
-	9*	N.S.S.	Steel Ball
-	10*	N.S.S.	Spacer
-	11*	N.S.S.	Compression Spring
-	12*	N.S.S.	Spring
-	13*	N.S.S.	Eyelet
-	14*	N.S.S.	Floating Piston
-	15*	N.S.S.	O-ring
-	16*	N.S.S.	O-ring
-	17*	N.S.S.	Continuity Ring
-	18*	N.S.S.	O-ring
-	19*	N.S.S.	Rod Scraper
-	20*	N.S.S.	Washer
-	21*	N.S.S.	Retainer Ring
-	22*	N.S.S.	O-ring
26521	23	815954T	Cylinder Shell (Starboard)
26531	23	815935T	Cylinder Shell (Port)
11610	24	806191T	End Cap (1.89 O.D.)
12703	25	806189Q1	Aluminum Anode Kit
<ul style="list-style-type: none"> * Included in Kit No. 26580 ♦ Included in Kit No. 87400 			

MerCruiser

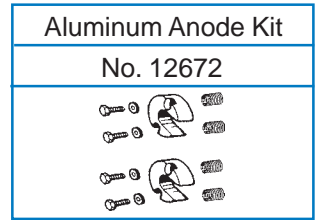
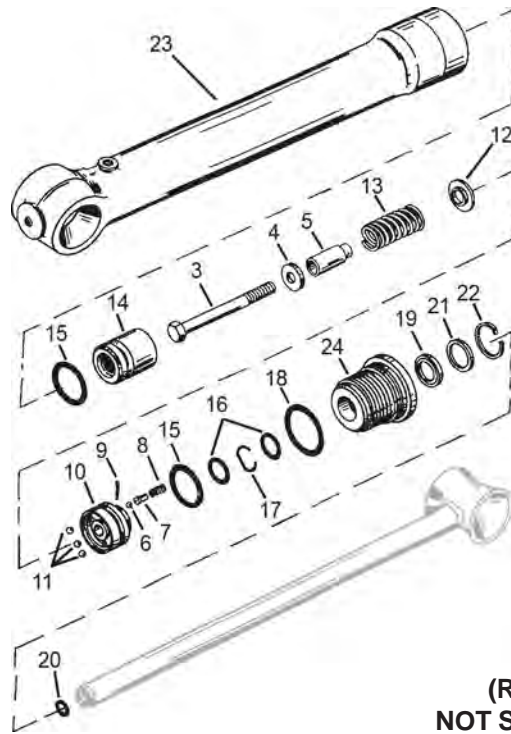
POWER TRIM CYLINDER - R / MR / ALPHA ONE / BRAVO



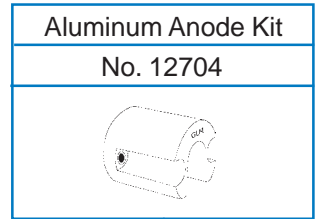
1



2



25



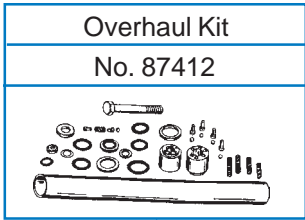
26

(Ref No. 1 thru 20
NOT SOLD SEPARATELY)

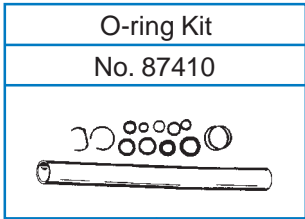
GLM No.	Ref No.	OEM No.	Description
26380	1	87399A2	Overhaul Kit
87400	2	25-87400A2	Seal Kit
26381	3*	N.S.S.	Screw
26382	4*	N.S.S.	Washer
26383	5*	N.S.S.	Guide
26384	6*	N.S.S.	Ball (7/64" Dia.)
26385	7*	N.S.S.	Eyelet
26386	8*	N.S.S.	Spring
26387	9*	N.S.S.	Pin
26388	10*	N.S.S.	Shock Piston
26389	11*	N.S.S.	Ball (1/4" Dia.)
26391	12*	N.S.S.	Pusher
26392	13*	N.S.S.	Spring
26393	14	N.S.S.	Floating Piston
82189	15	N.S.S.	O-ring
81169	16*	N.S.S.	O-ring
08110	17*	N.S.S.	Continuity Ring
82239	18*	N.S.S.	O-ring
08742	19*	N.S.S.	Rod Scraper
80139	20*	N.S.S.	O-ring
07400	21*	N.S.S.	Washer
08743	22*	N.S.S.	Retaining Ring
26401	23*	98704T	Cylinder Shell (Starboard) R / MR / Alpha One
26411	23	98703T	Cylinder Shell (Port) R / MR / Alpha One
26501	23	14034	Cylinder Shell (Starboard) R / MR / Alpha One
26511	23	14035	Cylinder Shell (Port) R / MR / Alpha One
26402	23	98704T	Cylinder Shell (Starboard) Bravo
26412	23	98703T	Cylinder Shell (Port) Bravo
11610	24	806191T	End Cap (1.89 O.D)
11620	24	88035	End Cap (2.08 O.D)
12672	25	N/A	Aluminum Anode Kit - Alpha
12704	26	806190Q1	Aluminum Anode Kit - Bravo
<ul style="list-style-type: none"> Included in Kit No. 26380 Included in Kit No. 87400 			

MerCruiser

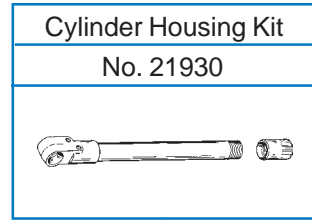
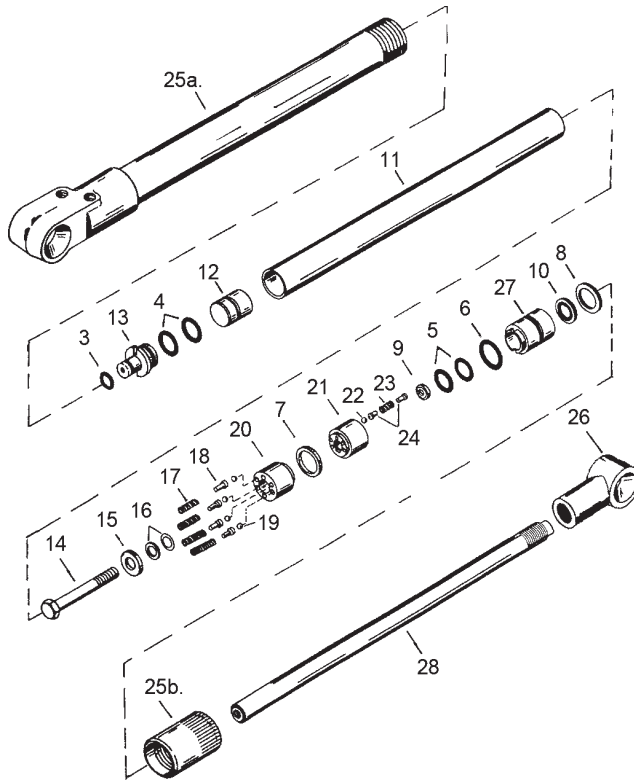
POWER TRIM CYLINDER - MC-1 (1970-1980)



1



2



25

GLM No.	Ref No.	OEM No.	Description
87412	1	45522A3	Overhaul Kit
87410	2	25-60342A2	O-ring Kit
81109	3♦♦	-	O-ring
82109	4♦♦	-	O-ring
81169	5♦♦	-	O-ring
82129	6♦♦	-	O-ring
41170	7♦♦	-	Quad Ring
07400	8♦♦	-	Washer
21677	9♦♦	-	Sealing Washer
41172	10♦♦	-	Rod Scraper
87411	11♦♦	-	Inner Tube
02191	12	-	Floating Piston
02192	13	-	Tube Guide
22354	14•	-	Bolt
21668	15•	-	Plain Washer
02195	16•	-	Shim Washer
02196	17•	-	Springs
02197	18•	-	Guide
26384	19•	-	Steel Ball
02199	20•	-	Shock Piston (Impact)
02190	21•	-	Shock Piston (Return)
26384	22•	-	Steel Ball
26386	23•	-	Spring
02187	24•	-	Guide
21930	25	77442A1	Cylinder Housing Kit
-	25a.+	-	Cylinder Housing
-	25b.+	-	End Cap
21981	26	45522T	Pivot End
21940	27	45726	Bearing
21984	28	-	Rod
♦ Included in Kit No. 87412			
♦♦ Included in Kit No. 87410			
+ Included in Kit No. 21930			

MerCruiser

POWER TRIM CYLINDERS

No. 26530
PORT CYLINDER
OEM: 815935A7



Alpha One Gen II

No. 26520
STARBOARD CYLINDER
OEM: 815954A7



Alpha One Gen II

No. 26410
PORT CYLINDER
OEM: 98703A3

Trim Cylinder
Tube Length 15-9/16"



R / MR / Alpha One

No. 26400
STARBOARD CYLINDER
OEM: 98704A3

Trim Cylinder
Tube Length 15-9/16"



R / MR / Alpha One

No. 26510
PORT CYLINDER
OEM: 14035A3

Trim Cylinder
Tube Length 16-3/16"



R / MR / Alpha One

No. 26500
STARBOARD CYLINDER
OEM: 14034A3

Trim Cylinder
Tube Length 16-3/16"



R / MR / Alpha One

No. 26470
PORT CYLINDER
OEM: 98703A26



Bravo

No. 26460
STARBOARD CYLINDER
OEM: 98704A26



Bravo

No. 21980
OEM: 45706A14



MC-1 (1967-1982)

MerCruiser

POWER TRIM CYLINDER COMPONENTS - (1983 & UP)

No. 26521

STARBOARD
CYLINDER SHELLS
OEM: 815954T



Alpha One Gen II

No. 26531

PORT
CYLINDER SHELLS
OEM: 815935T

No. 26401

STARBOARD
CYLINDER SHELLS
OEM: 98704T



R / MR / Alpha One
(1983 & Up)

No. 26411

PORT
CYLINDER SHELLS
OEM: 98703T

No. 26501

STARBOARD
CYLINDER SHELLS
OEM: 14034

No. 26511

PORT
CYLINDER SHELLS
OEM: 14035

No. 26402

STARBOARD
CYLINDER SHELLS
OEM: 98704T



Bravo

No. 26412

PORT
CYLINDER SHELLS
OEM: 98703T

No. 11610

P.T. CYLINDER END CAP
OEM: 806191T

1.890"

Black
Paint



Alpha One Gen II
(1991 & Up)

No. 11620

P.T. CYLINDER END CAP
OEM: 88035

2.080"



Alpha One / Bravo
(1983 & Up)

No. 21981

PIVOT END
OEM: 45522T



R / MR / Alpha One / Bravo
(1983 & Up)

No. 26580

PT CYLINDER OVERHAUL KIT
OEM: 87399A3



Kit Contains:

GLM	OEM	ITEM
22491 (3)	160084	Detent Ball
26377	N/A	Screw
26378	N/A	Spacer
26379 (3)	N/A	Spring
26384	N/A	Ball - Chrome
26385	N/A	Eyelet
26386	N/A	Spring
26387	N/A	Spring Pin
26394	N/A	Floating Piston
26396	N/A	Spring Seat
26397 (3)	N/A	Valve Seat
26398	N/A	Shock Piston

Alpha One Gen II

No. 26380

P.T. CYLINDER OVERHAUL KIT
OEM: 87399A2



Kit Contains:

GLM	OEM	ITEM
22491 (3)	160084	Detent Ball
26381	-	Screw
26382	-	Washer
26383	-	Guide
26384	N/A	Ball - Chrome
26385	N/A	Eyelet
26386	N/A	Spring
26387	N/A	Spring Pin
26388	N/A	Shock Piston
26391	N/A	Pusher
26392	N/A	Spring
26393	N/A	Floating Piston

For All (1983 & Up)
EXCEPT Alpha One Gen II

No. 87400

P.T. SEAL KIT
OEM: 25-87400A2



Kit Contains:

GLM	OEM	ITEM
07400	N/A	Stainless Steel Washer
08110	N/A	Copper Spring Wire
08742	N/A	Spring Cutter
08743	N/A	Retaining Ring
41171	N/A	Quad Ring
80139	N/A	O-ring
81169 (2)	N/A	O-ring
82189 (2)	N/A	O-ring
82239 (2)	N/A	O-ring

R / MR / Alpha One
Alpha One Gen II / Bravo

MerCruiser

POWER TRIM CYLINDER COMPONENTS - MC-1 (1970-1980)

No. 21990

POWER TRIM CYLINDER
SERVICE KIT
OEM: N/A

Kit Contains:

GLM	OEM	ITEM
21930	77442A1	P.T. Housing
21940	45726	Bearing
87410	25-60342A2	O-ring Kit



MC-1
(1970-1980)

No. 21930

POWER TRIM CYLINDER
HOUSING KIT
OEM: 77442A1



MC-1
(1970-1980)

No. 87410

O-RING KIT
OEM: 25-60342A2



MC-1
(1970-1980)

No. 87412

P.T. OVERHAUL KIT
OEM: 45522A3



MC-1
(1970-1980)

No. 87400

P.T. SEAL KIT
OEM: 25-87400A2



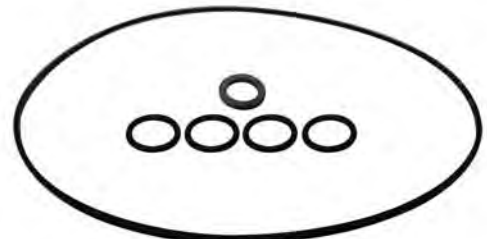
Kit Contains:

GLM	OEM	ITEM	GLM	OEM	ITEM
07400	N/A	Stainless Steel Washer	80139	N/A	O-ring
08110	N/A	Copper Spring Wire	81169 (2)	N/A	O-ring
08742	N/A	Spring Cutter	82189 (2)	N/A	O-ring
08743	N/A	Retaining Ring	82239 (2)	N/A	O-ring
41171	N/A	Quad Ring			

R / MR / Alpha One / Alpha One Gen II / Bravo

No. 87413

TRIM PUMP O-RING KIT
OEM: N/A



Kit Contains:

GLM	OEM	ITEM
31170	12-19183-3	Gasket
80120 (4)	25-48171	O-ring
80554	N/A	Square Ring

For Square Pump

MerCruiser

POWER TRIM CYLINDER APPLICATION GUIDE

Model	Year	Serial No. Range	Trim Cylinder O-ring Kit	Trim Cylinder Port	Trim Cylinder Stbd.	Trim Cylinder Outer Hsg. Port	Trim Cylinder Outer Hsg. Stbd.
120 / 140	1970-1982	6225576	87410	21980	21980	21930	21930
470 / 485	1976-1982	4208730-6225575	87410	21980	21980	21930	21930
165	1970-1981	2763442-4890459	87410	21980	21980	21930	21930
888 / 225 / 233	1971-1977	3106717 & Up	87410	21980	21980	21930	21930
898 / 228 / 250 / 260	1977-1982	4782330-6225576	87410	21980	21980	21930	21930
R / MR / Alpha One	1983-1990	6225577 & Up	87400	26410	26400	26411	26401
R / MR / Alpha One	1983-1990	6225577 & Up	87400	26510	26500	26511	26501
Alpha One Gen II	1991 & Up	0D469859 & Up	87400	26530	26520	26531	26521
Bravo	1988-1995	0B664190-0F345867	87400	26470	26460	26411	26401

TRAILER CLIPS

No. 90070

TRAILER CLIPS
OEM: 817019Q2



MerCruiser

TRIM CYLINDER & HYDRAULIC HOSE COMPONENTS

No. 21970

JUNCTION BLOCK
OEM: 98825A4

Kit Contains:

GLM	OEM	ITEM
05009 (2)	13-78968	Lockwasher
21971	N/A	Trim Connector Body & Plate
22440 (2)	10-28668	Screw
32160	27-99506-1	Gasket
32500	27-98823-1	Gasket



No. 31470

GASKET
OEM: 27-47644-1



For Hydraulic Connector

No. 32500

GASKET
OEM: 27-98823-1



For Hydraulic Connector

No. 32160

GASKET
OEM: 27-99506-1



For Connector Cover

No. 26220

TRIM HOSE ASSEMBLY
OEM: 32-58432A2



Kit Contains:

GLM	OEM	ITEM
06210	N/A	Rubber Hose
06220	N/A	Trim Hose
26230 (2)	22-49718	Nut

Pump to Rev. Lock Valve
(1967-1982)

No. 26230

NUT
OEM: 22-49718



Pump to Rev. Lock Valve
(1967-1982)

MerCruiser

POWER TRIM RAM BUSHINGS, PINS & KITS - ALPHA ONE GEN II

No. 21425

POWER TRIM RAM BUSHING KIT

OEM: 56-864641A24



Kit Contains:

GLM	OEM	ITEM
21424	17-815953	Pin
21672 (2)	12-815952	Washer
21771 (2)	53-815949	E-ring
26350 (4)	23-815950-1	Bushing
26490 (2)	19-815951	Cap

No. 26360

POWER TRIM RAM BUSHING KIT

WITHOUT PIN

OEM: N/A



Kit Contains:

GLM	OEM	ITEM
21672 (2)	12-815952	Washer
21771 (2)	53-815949	E-ring
26350 (4)	23-815950-1	Bushing
26490 (2)	19-815951	Cap

No. 21424

ANCHOR PIN

OEM: 17-815953A01



No. 26350

BUSHING

OEM: 23-815950-1



No. 21672

WASHER

OEM: 12-815952



No. 26490

CAP

OEM: 19-815951



No. 21771

E-RING

OEM: 53-815949



MerCruiser

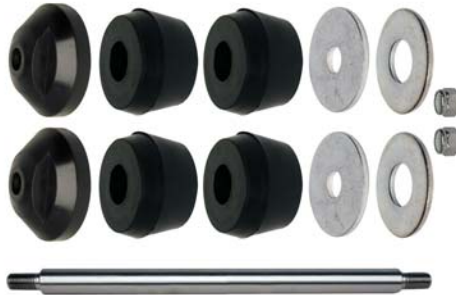
POWER TRIM RAM BUSHING, PINS & KITS - R / MR / ALPHA ONE (1983-1990)

No. 21380

POWER TRIM RAM BUSHING KIT
OEM: 17-14872A1

Kit Contains:

GLM	OEM	ITEM
21400	17-14872A1	Pin (Rear)
21170 (2)	11-859116	Locknut
21672 (2)	12-815952	Washer
21660 (2)	12-85058	Washer
21670 (2)	12-44163	Washer
26330 (4)	23-99291T	Bushing
26480 (2)	19-14842	Cap



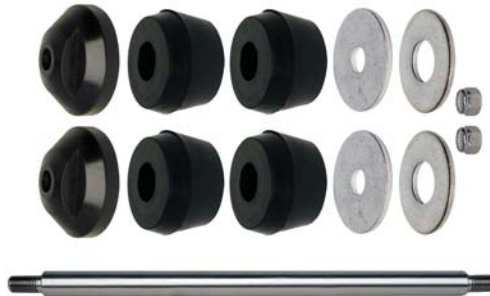
For rear anchor pin on late Mercruisers with large rubber bushings.

No. 21370

POWER TRIM RAM BUSHING KIT
OEM: 17-14873A1

Kit Contains:

GLM	OEM	ITEM
21410	17-14873A1	Pin (Front)
21170 (2)	11-859116	Locknut
21660 (2)	12-85058	Washer
21670 (2)	12-44163	Washer
26330 (4)	23-99291T	Bushing
26480 (2)	19-14842	Cap



For front anchor pin on late Mercruisers with large rubber bushings.

No. 21660

STAINLESS STEEL
WASHER
OEM: 12-85058

Inner



No. 21670

STAINLESS STEEL
WASHER
OEM: 12-44163

Outter



No. 26330

POWER TRIM RAM
BUSHING (LARGE)
OEM: 23-99291T



No. 21170

STAINLESS STEEL
LOCKNUTS (7/16 - 20)
OEM: 11-859116



No. 26320

POWER TRIM
RAM BUSHING
OEM: 23-90203



Merc II TR & TRS

MerCruiser

POWER TRIM RAM BUSHINGS, PINS & KITS - BRAVO

No. 21480

REAR ANCHOR PIN
OEM: 17-44166

7/16 - 20 Threads
9" Length

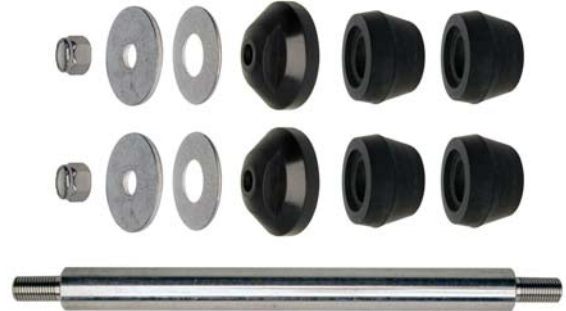


No. 21910

POWER TRIM RAM BUSHING KIT
OEM: 17-44166T1

Kit Contains:

GLM	OEM	ITEM
21170 (2)	11-859116	Locknut
21480	17-44166	Pin (Rear)
21671 (2)	12-44164	Washer
21670 (2)	12-44163	Washer
26340 (4)	23-807073	Bushing
26480 (2)	19-14842	Cap



For Rear

No. 21481

FRONT ANCHOR PIN
OEM: 17-44167A1

7/16 - 20 Threads
12" Length

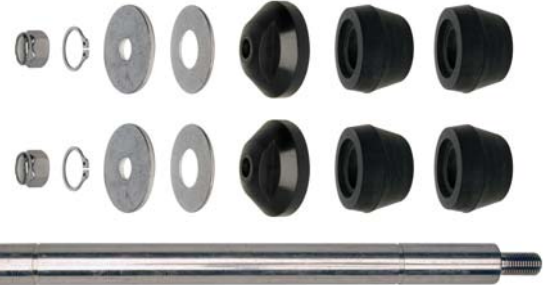


No. 21920

POWER TRIM RAM BUSHING KIT
OEM: N/A

Kit Contains:

GLM	OEM	ITEM
21170 (2)	11-859116	Locknut
21481	17-44167A1	Pin (Front)
21671 (2)	12-44164	Washer
21670 (2)	12-44163	Washer
21770 (2)	53-805272	Retaining Ring
26340 (4)	23-807073	Bushing
26480 (2)	19-14842	Cap



For Front

No. 21671

STAINLESS STEEL WASHER
OEM: 12-44164

Inner



No. 21670

STAINLESS STEEL WASHER
OEM: 12-44163

Outer



No. 26340

P.T. RAM BUSHING
OEM: 23-807073



No. 21770

RETAINING RING
OEM: 53-805272



No. 21170

STAINLESS STEEL
LOCKNUT - 7/16 - 20
OEM: 11-859116



No. 26480

CAP
OEM: 19-14842



MerCruiser

POWER TRIM RAM BUSHING PINS & KITS - MC-1 (1970-1982)

No. 21100

REAR ANCHOR PIN
OEM: 17-45738

3/8 - 24 Threads
7-1/2" Long



For power trim rams.
Fits older Mercruisers with small bushings.

No. 21390

POWER TRIM RAM BUSHING KIT
OEM: N/A



Kit Contains:

GLM	OEM	ITEM
21100	17-45738	Pin (Rear)
21160 (2)	11-13437-1	Locknut
21640 (2)	12-45737	Washer
21650 (2)	12-46765	Washer
26310 (4)	23-89574	Bushings

For Model 120-260 Rear Anchor Pin on
early Mercruisers w/ small rubber bushings.

No. 21130

FRONT ANCHOR PIN
OEM: 17-45735

3/8 - 24 Threads
10-11/32" Long



For power trim rams. Fits older
Mercruisers with small bushings.

No. 21310

POWER TRIM RAM BUSHING KIT
OEM: N/A



Kit Contains:

GLM	OEM	ITEM
21130	17-45735	Pin (Front)
21160 (2)	11-13437-1	Locknut
21640 (2)	12-45737	Washer
21650 (2)	12-46765	Washer
21982 (2)	24-46312	Springs
26310 (4)	23-89574	Bushings

For Model 120-160 Front Anchor Pin
on early Mercruisers w/ small rubber bushings.

No. 21640

STAINLESS STEEL
WASHER
OEM: 12-45737

Inner



No. 21650

STAINLESS STEEL
WASHER
OEM: 12-46765

Outer



No. 26310

POWER TRIM
RAM BUSHING
OEM: 23-89574



No. 21160

STAINLESS STEEL
LOCKNUT - 3/8 - 24
OEM: 11-13437-1, 11-34932



Section 7

Anodes

Aluminum Anodes & Anode Kits 114-115

MerCruiser

ALUMINUM ANODES & ANODE KITS

No. 12711

OEM: 821629Q1



Alpha One Gen II

No. 12712

OEM: 821630Q1



All Bravo

No. 12670

OEM: 31640Q4



R / MR / Alpha One Trim Tab

No. 12710

OEM: 76214Q5



Mounts in Place of Trim Tab
Alpha One Gen II & All Bravo

No. 12702

OEM: 806105Q1



Mounts on Propshaft Carrier
Alpha One Gen II

No. 12703

OEM: 806189Q1



Mounts on Trim Cylinder
Alpha One Gen II

No. 12756

OEM: 806188A1



Mounts on Propshaft Carrier
Bravo

No. 12734

OEM: 76214-4



Mounts in Place of Trim Tab
Bravo III (2003 & Up)

No. 12704

OEM: 806190Q1



Mounts on Trim Cylinder
Bravo & Blackhawk

No. 12700

OEM: 55989Q9



Mounts on Transom

No. 12713

OEM: 821631Q1



Mounts on Transom

No. 12750

OEM: 34762A1



Anodic Plate

No. 12724

ANODE KIT

OEM: 888758Q01



Bravo I

No. 12726

ANODE KIT

OEM: 888761Q01



Bravo II (1988 & Up) & Bravo III (1995-2002)

No. 12891

ANODE KIT

OEM: 888761Q02



Bravo III (2003 & Up)

No. 12754

ANODE KIT

OEM: 888756Q02



MR / Alpha One (1984-1990)

MerCruiser

ALUMINUM ANODES & ANODE KITS

No. 12722

ANODE KIT
OEM: 888756Q01



Alpha One Gen II

No. 12672

OEM: N/A



Mounts on Trim Cylinder
MR / Alpha One (1984-1990)

GLM
DESIGN

No. 12740

OEM: 34127T2



Long Length Trim Tab
Zinc or Aluminum

No. 12727

OEM: 809658A1



Shaft Size: 3/4
Thread Size: 1/2 NC 13

No. 12728

OEM: 809658



For Kit No. 12727
ø 1-1/4" x 1-1/2" L

No. 12718

OEM: 809664A1



Shaft Size: 1-1/8
Thread Size: 3/4 NF 16

No. 12758

OEM: 809666T



Kits No. 12708 / 12729
ø 2-5/16" x 3" L

No. 12706

OEM: 809660A1



Shaft Size: 7/8
Thread Size: 5/8 NC 11

No. 12705

OEM: 809660



For Kit No. 12706
ø 1-5/8" x 2" L

No. 12708

OEM: 809666A1



Shaft Size: 1-1/4
Thread Size: 7/8 NC 9

No. 12765

OEM: 865182A01



For Kit No. 12891
ø 2-1/8" x 2-3/8" L

No. 12717

OEM: 809662A1



Shaft Size: 1
Thread Size: 3/4 NC 10

No. 12707

OEM: 809662T



Kits No. 12717 / 12718
ø 2" x 2-5/8" L

No. 12729

OEM: 809668A1



Shaft Size: 1-1/4
Thread Size: 7/8 NF 14



Section 8

Tools

<i>Service Tools</i>	<i>118-120</i>
<i>Prop Wrench Kits & Prop Wrenches</i>	<i>121</i>

MerCruiser

SERVICE TOOLS

No. 90100

BEARING RETAINER WRENCH
OEM: 91-17256



Description: Installs & removes drive shaft bearing retainer on MC-1 / R / MR / Alpha One Alpha One Gen II, Blackhawk, & Bravo

No. 90170

DRIVE GEAR SHIMMING TOOL
OEM: 91-60523



Description: Measures upper drive gear clearance on MC-1 / R / MR / Alpha One / Alpha One Gen II

No. 90180

DRIVE GEAR SHIMMING TOOL
OEM: 91-60526T



Description: Measures upper drive gear clearance on MC-1 / R / MR / Alpha One / Alpha One Gen II

No. 90110

SHIFT CABLE TOOL
OEM: 91-12037



Description: Installs & removes shift cables on MC-1 / R / MR / Alpha One / Alpha One Gen II

No. 90050

ENGINE ALIGNMENT TOOL
OEM: 91-805475A1



Description:
Aligns engine & drive unit during installation

No. 90200

HINGE PIN TOOL
OEM: 91-78310



Description: Removes & installs hinge pins on Mercruiser drive units

No. 90360

BELLOWS EXPANDER TOOL
OEM: 91-45497A1



GLM DESIGN

Scissor handle with vinyl grip & opens with screw lock

Description: Installs exhaust bellows on MC-1 / R / MR / Alpha One / Alpha One Gen II, Bravo, & Blackhawk drive units

No. 90470

BELLOW SLEEVE INSTALLER
OEM: 91-818162



Description: Install sleeves on exhaust bellows on Bravo & Alpha One Gen II

MerCruiser

SERVICE TOOLS

No. 90210

PINION NUT ADAPTOR KIT
OEM: 91-61067A04
Comes with No. 90220
Drive Shaft Adaptor



Description: Holds pinion nut when removing pinion gear & drive shaft on MC-1 / R / MR / Alpha One / Alpha One Gen II

No. 90160

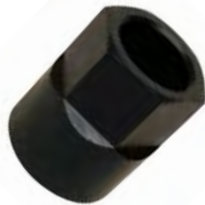
PINION GEAR SHIMMING TOOL
OEM: 91-56048001



Description: Measures pinion height of MC-1 / R / MR / Alpha One / Alpha One Gen II drive units

No. 90220

DRIVE SHAFT ADAPTER
OEM: 91-56775T



Description: Provides a wrench surface to turn the drive shaft on MC-1 / R / MR / Alpha One / Alpha One Gen II drive units

No. 90230

PROP SHAFT ADAPTOR /
DRIVE SHAFT ADAPTOR
OEM: 91-61077T



Use as a
Drive Shaft Adaptor
for Bravo, Blackhawk
& TRS

Description: Provides a wrench surface to turn the propeller shaft on MC-1 / R / MR / Alpha One / Alpha One Gen II Bravo & TRS drive units.

No. 90190

BEARING CARRIER
RETAINER WRENCH
OEM: 91-61069T



Description: Removes & installs bearing carrier retainer nuts on MC-1 / R / MR / Alpha One / Alpha One Gen II Bravo I & TRS drive units

No. 90490

BEARING CARRIER RETAINER WRENCH
OEM: 91-17257 + 90-805374-1



Description: Removes & installs bearing carrier retainer nuts on Bravo II & Bravo III drive units

No. 90240

DRIVE SHAFT BEARING
RETAINER WRENCH
OEM: 91-43506T



Description: Removes & installs threaded bearing retainer on MR / Alpha One / Alpha One Gen II sterndrives

No. 90140

SHIFT SHAFT BUSHING TOOL
OEM: 91-31107T



Description: Removes & installs the shift shaft bushing in the gear case of MC-1 / R / MR / Alpha One drive units

MerCruiser

SERVICE TOOLS

No. 90295

PINION BEARING
REMOVAL & INSTALLATION
TOOL ASSEMBLY
OEM: N/A

Kit Contains:

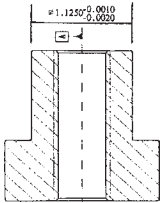
GLM	OEM	ITEM
90260	91-38628T	Pinion Bearing Installation Tool
90270	91-36569T	Driver Head
90280	91-31229	Puller Rod
90290	N/A	Spacer



Installs & removes pinion bearing on
MC-1 / R / MR / Alpha One / Alpha One Gen II drive units.

No. 90260

PINION BEARING INSTALLATION TOOL
OEM: 91-38628T



GLM's new tool more precisely fits the pinion bearing (must remove paper cone) to avoid crooked seating of the bearing that causes gears to break or make noise.

No. 90270

DRIVER HEAD
OEM: 91-36569T



Removes pinion bearing on
MC-1 / R / MR / Alpha One / Alpha One Gen II

No. 90280

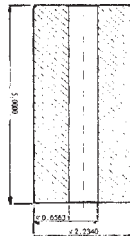
PULLER ROD
OEM: 91-31229



Used with No. 90260 & 90270
Installs & removes pinion bearings.

No. 90290

SPACER
OEM: N/A



Fits No. 90280
Installs pinion bearings.

No. 90150

UNIVERSAL PULLER PLATE
OEM: 91-37241



Pulls gears & bearings.

No. 90095

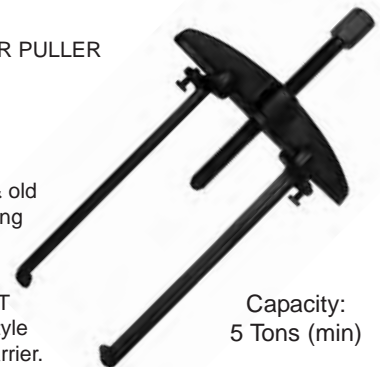
PROP & BEARING CARRIER PULLER
OEM: N/A
Replaces No. 90090



TOES IN
For prop & old
style bearing
carrier.



TOES OUT
For new style
bearing carrier.



Capacity:
5 Tons (min)

For MerCruiser All Style Bearing Carrier and Most Prop.

MerCruiser

PROP WRENCH KITS & PROP WRENCHES

No. 90065
PROP WRENCH KIT - 1-1/16"
OEM: 91-8218871



1-1/16"

Color Coded:
Blue



Kit Contains:

GLM	OEM	ITEM
21200 (2)	14-816629Q	Tab Washer
21230	11-52707Q1	Prop Nut
90061	91-859046M4	Prop Wrench



With Built In
Tab Bender

For Mercury / Mariner / Force V4 & V6,
All MerCruiser & Honda BF75-BF130

No. 90066
PROP WRENCH KIT - 15/16"
OEM: 91-856639A1



15/16"

Color Coded:
Red



Kit Contains:

GLM	OEM	ITEM
21220 (2)	14-76281	Tab Washer
21240	11-69578Q01	Prop Nut
90062	91-859046M3	Prop Wrench



For Mercury / Mariner / Force Outboard 30-65 HP,
70 HP 3-Cyl. (1989 & Before), 15-25 HP 4-stroke

No. 90061
PROP WRENCH
OEM: 91-859046M4



With Built In
Tab Bender



1-1/16"

Color Coded:
Blue

No. 90062
PROP WRENCH
OEM: 91-859046M3



15/16"

Color Coded:
Red

No. 90063
PROP WRENCH
OEM: 91-859046M2



13/16"

Color Coded:
Yellow

No. 90064
PROP WRENCH
OEM: 91-859046M1



9/16"

Color Coded:
Purple



Section 9

Recirculating Water Pumps

Recirculating Water Pumps 124
Water Pump Gaskets 124

MerCruiser

RECIRCULATING WATER PUMPS

BRAND NEW!
**GLM Recirculating
 Water Pumps**
Features include...

- Machined Brass Impeller
- Bi-Directional & Balanced
- Stainless Steel Seal Cup & Spring
- Stainless Steel Backing Plate
- Epoxy Painted Pump Housing
- Stainless Banded Ceramic Seal Seat

No. 15100
 OEM: 884727



153 CID-2.5 LITRE
 181 CID-3.0 LITRE
 250 CID-4.0 LITRE

Chevy
 Inline 4 & 6-Cyl.

No. 15201
 OEM: 850399-1

NEW STYLE

Fits Both Metal & Composite
 Timing Chain Cover



229 CID-3.8 LITRE
 262 CID-4.3 LITRE
 305 CID-5.0 LITRE
 350 CID-5.7 LITRE

Chevy
 V6 & V8 Small Block

No. 15301
 OEM: 850454-1

NEW STYLE

Fits Both Tin & Aluminum
 Timing Chain Cover

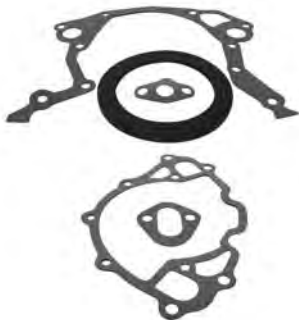


409 CID-6.6 LITRE
 427 CID-6.9 LITRE
 454 CID-7.4 LITRE
 502 CID-8.2 LITRE

Chevy
 V8 Big Block

WATER PUMP GASKETS

No. 39750
 OEM: 27-56108A1



302 & 351 CID engines:
 215 (inboard), 233,
 255 HP 888 (188 HP)

No. 31350
 OEM: 27-33956



For No. 15100
 4 / 6-Cyl. Inline Chevy

No. 30231
 OEM: 27-803192A1



For No. 15201
 V6 305/350 Chevy

No. 32690
 OEM: 27-803192A2



For No. 15301
 454-502 Chevy

No. 39760
 OEM: 27-68714A7



MerCruiser 224 CID
 4-Cylinder engines:
 165, 170, 180, 190,
 470, 488 & 485 HP

No. 31380
 OEM: 27-34897



For No. 15201, V6 305/350 Chevy

No. 31900
 OEM: 27-56880



For No. 15400
 Ford 302/351

No. 32480
 OEM: 27-88046



MCM/MIE
 470

No. 31770
 OEM: 27-49110



For No. 15301, 454/502 Chevy

Section 10

Thermostats Thermostat Gaskets Thermostat Housings

<i>Thermostat Housing Kits</i>	126
<i>Thermostat Housings</i>	127
<i>Thermostat Housing Components</i>	128
<i>Thermostats</i>	129
<i>Thermostat Kits</i>	129
<i>Thermostat Gaskets</i>	130
<i>Thermostat Application Guide</i>	131-134

MerCruiser

THERMOSTAT HOUSING KITS

No. 13231

OEM: 87290A23

Replaces:
No. 16413A3 &
No.16413A9



V6 & V8 305/350 CID Chevy Engines

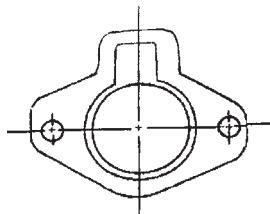
No. 13221

OEM: 90736A24

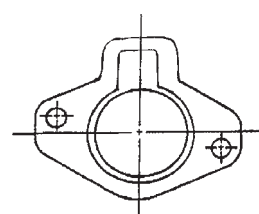
Replaces:
No. 16413A3 &
No. 16413A9



V8 454/502 CID Chevy Engines



ATTENTION:
Intake manifold bolt
holes at 90° from the
crankshaft centerline



ATTENTION:
Intake manifold bolt
holes at 80° from the
crankshaft centerline

GLM No.	OEM No.	Description	Qty.	GLM No.	OEM No.	Description	Qty.
13230	87290A4	Thermostat Housing Assembly	1	13520	90736A18	Thermostat Housing Assembly	1
13236	22-98477A2	T-Valve Assy. (Included in 13230)	1	13236	22-98477A2	T-Valve Assy. (Included in 13230)	1
13220	47441A1	Cover	1	13710	47442A1	Cover	1
13237	12552	Lifting Eye	1	13237	12552	Lifting Eye	1
31460	27-47510	Gasket	1	31460	27-47510	Gasket	1
13250	23-47508	Thermostat Sleeve	1	13250	23-47508	Thermostat Sleeve	1
31631	27-41812-2	Thermostat Cover Gasket	1	31631	27-41812-2	Thermostat Cover Gasket	1
31560	27-53045-1	Gasket	1	31560	27-53045-1	Gasket	1
22376	10-14164	Screw	2	22376	10-14164	Screw	2
21675	12-20553	Washer	2	21675	12-20553	Washer	2

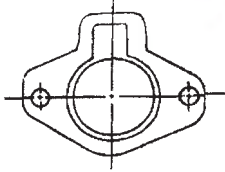
MerCruiser

THERMOSTAT HOUSING

No. 13230

OEM: 87290A4

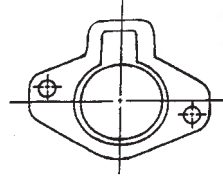
Includes No. 13236



V6 305 / 350 Chevy Engines

No. 13520

OEM: 90736A18



454 / 502 Chevy Engines

No. 13530

OEM: 78984A1



For exhaust systems with rear mounted risers

MC-1 with 305 / 350 Chevy Engines (1977-1982)

No. 13540

OEM: 861188A1



For closed cooling models

No. 13550

OEM: 55131A5



For closed cooling models

THERMOSTAT COVERS

No. 13220

OEM: 47441A1



V6 305/350 Chevy Engines

No. 13710

OEM: 47442A1



454/502 Chevy Engines

No. 13700

OEM: 17494A1



MerCruiser

THERMOSTAT HOUSING COMPONENTS

No. 13236

TEE VALVE ASSEMBLY WITH BALLS
OEM: 22-98477A2



Discard balls for belt driven
seawater pump cooling systems

No. 13232

CHECK BALL KIT
OEM: 30-98475T1



R / MR / Alpha One
(1983-1990)

No. 13237

LIFTING EYE FOR THERMOSTAT HOUSING
OEM: 12552



No. 21163

LOCK NUT
OEM: 11-29488



No. 13250

THERMOSTAT SLEEVE
OEM: 23-47508T



No. 13235

CHECK BALL SPRING
OEM: 24-75533



No. 21675

WASHER - THERMOSTAT HOUSING
OEM: 12-20553



No. 13233

CHECK BALL
OEM: 30-98475



No. 22376

SCREW - THERMOSTAT HOUSING
OEM: 10-14164



No. 13234

CHECK BALL SCREW
OEM: 10-17989



R / MR / Alpha One
(1983-1990)

MerCruiser

THERMOSTATS AND KITS

140° Thermostats

No. 13020

OEM: 59078

140°



4 & 6-Cyl. Inline Chevy Engines

No. 13030

OEM: 807252T1

140°



V6 & V8 Chevy Engine & Ford V8 Engines

No. 13370

OEM: 59078Q3



Kit Contains:

GLM	OEM	ITEM
13020	59078	Thermostat
31430	24-47590-1	Gasket

4 & 6-Cyl. Inline Chevy Engines

No. 13380

OEM: 807252Q3



Kit Contains:

GLM	OEM	ITEM
13030	807252T1	Thermostat
31460	27-47510	Gasket
31510	27-48818-1	Gasket
31560	27-53045-1	Gasket
31620	27-60208	Gasket

V8 Ford Engines

No. 13390

OEM: 807252Q4



Kit Contains:

GLM	OEM	ITEM
13030	807252T1	Thermostat
31460	27-47510	Gasket
31560	27-53045-1	Gasket
31630	27-41812	Gasket
31670	27-33179-2	Gasket
82250	25-30224	O-ring

V6 & V8 Chevy Engines

160° Thermostats

No. 13100

OEM: 807252T2

160°



Chevy V6 & V8 Engines

No. 13040

OEM: 99155T2

160°



MerCruiser Built (Non-Chevy) 4-Cyl. Engines (except 1976-1982 470)

No. 13101

OEM: 807252Q5



Kit Contains:

GLM	OEM	ITEM
13100	807252T2	Thermostat
31460	27-47510	Gasket
31510	27-48818-1	Gasket
31560	27-53045-1	Gasket
31670	27-33179-2	Gasket
32700	27-806871	Gasket

Chevy V6 & V8 Engines
Late Models with 160° Thermostats

No. 13420

OEM: 99155T2



Kit Contains:

GLM	OEM	ITEM
13040	99155A1	Thermostat
32100	27-89656	Gasket

MerCruiser Built 4-Cyl.
Engines (except 1976-1982 470)

No. 13421

OEM: 99155T1



Kit Contains:

GLM	OEM	ITEM
13040	99155A1	Thermostat
85860	25-807134-1	Gasket

Chevy V6 & V8 Engines
with Closed Cooling (1998 & Up)

MerCruiser

THERMOSTAT GASKETS

<p>No. 31630 THERMOSTAT BYPASS GASKET - CLOSED OEM: 27-41812</p> 	<p>No. 31631 THERMOSTAT BYPASS GASKET - RESTRICTED OEM: 27-41812-2</p> 	<p>No. 31510 THERMOSTAT BYPASS GASKET - OPEN OEM: 27-48818-1</p> 	<p>No. 31560 THERMOSTAT HOUSING TO INTAKE MANIFOLD GASKET OEM: 27-53045-1</p>  <p>(with Brass Rivets)</p>
<p>No. 82250 O-RING OEM: 25-30224</p>  <p>Fits Under Thermostat</p>	<p>No. 32700 GASKET OEM: 27-806871</p>  <p>Fits Under Thermostat</p>	<p>No. 31460 GASKET OEM: 27-47510</p>  <p>Fits Under Thermostat</p>	<p>No. 35060 THERMOSTAT HOUSING TO INTAKE MANIFOLD GASKET OEM: 27-8M2021920</p> 
<p>No. 31340 THERMOSTAT HOUSING TO CYLINDER HEAD OEM: 27-814680</p>  <p>Inline 4 & 6-Cyl. Chevy</p>	<p>No. 31430 THERMOSTAT BYPASS GASKET OEM: 27-47590-1</p>  <p>Inline 4 & 6-Cyl. Chevy</p>	<p>No. 31840 OEM: 27-74830</p>  <p>MerCruiser 470 (1976-1982)</p>	<p>No. 32100 OEM: 27-89656-1</p>  <p>MerCruiser Built Engines</p>
<p>No. 31620 THERMOSTAT BYPASS GASKET OEM: 27-60208</p>  <p>Ford 302 / 351</p>	<p>No. 30500 THERMOSTAT HOUSING TO INTAKE MANIFOLD GASKET OEM: 27-54505</p>  <p>Ford 302 / 351</p>	<p>No. 35070 THERMOSTAT HOUSING TO INTAKE MANIFOLD GASKET OEM: 27-54506</p>  <p>Ford 302 / 351</p>	<p>No. 31670 THERMOSTAT HOUSING TOP COVER GASKET OEM: 27-33179-2</p> 

MerCruiser

THERMOSTAT, HOUSING, COVER, KIT & GASKET APPLICATION

Model	Year	Serial No. Range	Thermostat Housing	Thermostat Cover	Thermostat & Gasket Kit	Thermostat	Gasket Reg'd
60	1965-1968	187079-2049044	N.L.A.	N.L.A.	N/A	13030	-
80	1966-1969	2049045-2851423	N.L.A.	N.L.A.	N/A	13030	-
90	1970-1972	2851424-3226957	N.L.A.	N.L.A.	N/A	13080	31430
110 GM	1963-1966	1537370-2044033	N.L.A.	N.L.A.	N/A	13030	-
120 GM	1964-1972	1666601-3377340	N.L.A.	N.L.A.	N/A	13030	-
120 GM	1964-1967	1725593-2046624	N.L.A.	N.L.A.	N/A	13030	-
120 GM	1964-1967	2046625-2324346	N.L.A.	N.L.A.	N/A	13030	-
120 GM	1964-1967	2324347-3377340	-	-	13370	13020	31430
120 / 2.5L GM	1972-1989	3377341-0C853255	-	-	13370	13020	31430
140 / 3.0L GM	1968-1989	2508261-0C856558	-	-	13370	13020	31430
3.0L / LX GM	1990-1998	0C856559 & Up	-	N/A	13101	13100	35060
3.0L / LX GM	1990-1998	0C856559 & Up	-	-	13370	13020	31430
165 / 170 / 3.7L Merc	1985-1989	6916779 & Up	N/A	-	13420	13040	32100
180 / 190 / 3.7LX Merc MCM	1985-1989	6916779 & Up	N/A	-	13420	13040	32100
470 Merc MCM / M IE	1976-1982	4208730-6218036	-	N/A	-	-	31840
470 Merc MCM / M IE	1983-1984	6218037-6916778	N/A	-	13420	13040	32100
485 Merc	1980-1982	5685394-6218036	N/A	-	-	-	32100
485 Merc	1983-1984	6170297-6916778	N/A	-	13420	13040	32100
140 GM (6-Cyl.)	1963 & Up	1538930-1725960	N.L.A.	N.L.A.	N/A	13030	-
150 GM	1964-1966	1666495-2048046	N.L.A.	N.L.A.	N/A	13030	-
160 GM	1967-1969	2048022-2770031	N.L.A.	N.L.A.	N/A	13030	-
160 GM	1967 & Up	2048022-2233574	N.L.A.	N.L.A.	N/A	13030	-
160 GM	1968-1969	2326096-2770031	-	-	N/A	13080	31430
165 GM	1970-1981	2770032-5813433	-	-	13370	13020	31430
200 GM (6-Cyl.)	1969 & Up	2453769-2712072	-	-	N/A	13080	31430
185 GM (229)	1983-1984	6330183-6919655	-	13710	13390	13030	31630 / 31460 / 31560
175 / 4.3L GM	1987-1993	0B527955-0F000877	13230	13220	13390	13030	31630 / 31460 / 31560
175 / 4.3L GM	1987-1993	0B527955-0F000877	13231	13700	13390	13030	82250 / 31670 / 31560
185 GM (262)	1985-1987	0A331455-0B527954	13230	13220	13390	13030	31630 / 31460 / 31560
205 GM	1985-1987	0A331455-0B527954	13230	13220	13390	13030	31630 / 31460 / 31560
205 / 4.3LX GM	1987-1993	0B527955-0F000877	13230	13220	13390	13030	82250 / 31670 / 31560
205 / 4.3LX GM	1987-1993	0B527955-0F000877	13231	13700	13390	13030	31560 / 32700
262 MAG Alpha	1996-1997	0F803800 - 0K999999	-	N/A	13101	13100	31560 / 32700
262 MAG Bravo	1996-1997	0F803800 - 0K999999	-	N/A	13101	13100	82250 / 31670 / 31560
4.3L / LX GM	1993-1995	0F000878-0F601126	13231	13700	13390	13030	31560 / 32700
4.3L / LX GM	1993-1995	0F000878-0F601126	-	N/A	13101	13100	31560 / 32700
4.3L / LX / LXH Alpha	1996-1997	0F601127-0K999999	-	N/A	13101	13100	31560 / 32700
4.3L / LX / LXH Bravo	1996-1997	0F601127-0K999999	-	N/A	13101	13100	31560 / 32700
4.3L / LH / EFI Alpha	1998 & Up	0L010044 & Up	-	N/A	13101	13100	31560 / 32700
4.3L / LH / EFI Bravo	1998 & Up	0L010044 & Up	-	N/A	13101	13100	31560 / 32700
4.3L / LH / EFI	1998 & Up	0L010044 & Up	13540	-	-	-	-
190 GM	1963-1964	1564539-1730903	N.L.A.	N.L.A.	N/A	13030	N.L.A.
898 / 198 GM MCM / M IE	1977-1982	4762210-6218461	13530	13220	13380	13030	31510 / 31560
898 / 200 GM	1983-1986	6218462-0B525981	13230	13220	13390	13030	31630 / 31460 / 31560
200 / 5.0L	1987-1995	0B525982-0F600999	13230	13220	13390	13030	31630 / 31460 / 31560
200 / 5.0L	1987-1995	0B525982-0F600999	13231	13700	13390	13030	82250 / 31670 / 31560
200 / 5.0L	1987-1995	0B525982-0F600999	-	N/A	13101	13100	31560 / 32700

MerCruiser

THERMOSTAT, HOUSING, COVER, KIT & GASKET APPLICATION

Model	Year	Serial No. Range	Thermostat Housing	Thermostat Cover	Thermostat & Gasket Kit	Thermostat	Gasket Reg'd
5.0L / EFI Alpha	1998 & Up	0L012052 & Up	-	N/A	13101	13100	31560 / 32700
5.0L / EFI Bravo	1998 & Up	0L012052 & Up	-	N/A	13101	13100	31560 / 32700
5.0L / EFI	1998 & Up	0L012052 & Up	-	-	-	-	-
888 Ford MCM / M IE	1971-1977	3108723-4887829	13540	-	13380	13030	31620
215 Ford MCM / M IE	1970 & Up	2781153-3040410	N.L.A.	N.L.A.	N/A	13030	30500
215 Ford MCM / M IE	1971-1972	3040411-3385720	-	-	13380	13030	31620
225 GM	1963-1967	1539620-2399197	N.L.A.	N.L.A.	N/A	13030	N.L.A.
225 GM	1967-1969	2399198-2694014	N.L.A.	13220	N/A	13030	31670 / 31460 / 31510
225 Ford MCM / M IE	1973-1974	3385721-4176999	-	-	13380	13030	31620
228 GM MCM / M IE	1977-1982	4765100-6218461	13530	13220	13380	13030	31510 / 31560
228 GM	1982-1984	6218462-0B525981	13230	13220	13390	13030	31630 / 31460 / 31560
230 M IE	1981-1986	5907058-0B5225505	13230	13220	13390	13030	31630 / 31460 / 31560
230 M IE	1981-1986	5907058-0B5225505	13550	13220	13380	13030	31460 / 31510 / 31560
230 / 5.0L M IE	1987-1988	0B522506-0B788151	13550	13220	13380	13030	31460 / 31510 / 31560
230 / 5.0L M IE	1987-1988	0B522506-0B788151	13231	13700	13390	13030	82250 / 31670 / 31560
230 / 5.0L M IE	1987-1988	0B522506-0B788151	13230	13220	13390	13030	31630 / 31460 / 31560
230 GM	1985-1986	6218462-0B525981	13230	13220	13390	13030	31630 / 31460 / 31560
230 / 5.0LX GM	1987-1995	0B525982-0F600999	13230	13220	13390	13030	31630 / 31460 / 31560
230 / 5.0LX GM	1987-1995	0B525982-0F600999	13231	13700	13390	13030	82250 / 31670 / 31560
230 / 5.0LX GM	1987-1995	0B525982-0F600999	-	N/A	13101	13100	31560 / 32700
233 Ford M IE	1975-1977	4173000-4902304	-	-	13380	13030	31620
250 GM MCM / M IE	1968-1969	2314301-2639854	N.L.A.	13220	13380	13030	31460 / 31510 / 31560
250 GM	1977 & Up	4768000-4902304	13530	13220	13380	13030	31510 / 31560
255 Ford MCM / M IE	1973-1974	3258728-4178299	-	-	13380	13030	31620
255 GM MCM / M IE	1975-1980	4175500-5907057	13530	13220	13380	13030	31510 / 31560
260 M IE	1981-1986	5907058-0B522505	13550	13220	13380	13030	31460 / 31510 / 31560
260 M IE	1981-1986	5907058-0B522505	13230	13220	13390	13100	31630 / 31460 / 31560
260 / 5.7L M IE	1987-1993	0B522506-0F024999	13550	13220	13380	13030	31460 / 31510 / 31560
260 / 5.7L M IE	1987-1993	0B522506-0F024999	13230	13220	13390	13030	31460 / 31560
260 / 5.7L M IE	1987-1993	0B522506-0F024999	13231	13700	13390	13030	82250 / 31670 / 31560
260 GM	1978-1982	4908850-6218461	13530	13220	13380	13100	31510 / 31560
260 GM	1982-1986	6218462-0B525981	13230	13220	13390	13030	31630 / 31460 / 31560
260 / 5.7L GM	1987-1995	0B525982-0F600999	13230	13220	13390	13030	31630 / 31460 / 31560
260 / 5.7L GM	1987-1995	0B525982-0F600999	13231	13700	13390	13030	82250 / 31670 / 31560
260 / 5.7L GM	1987-1995	0B525982-0F600999	13231	13700	13390	13100	82250 / 31670 / 31560
260 / 5.7L GM	1987-1995	0B525982-0F600999	-	N/A	13101	13100	31560 / 32700
5.7 GM Alpha	1995-1997	0F225560-0K999999	-	N/A	13101	13100	31560 / 32700
5.7 GM Bravo	1995-1997	0F225560-0K999999	-	N/A	13101	13100	31560 / 32700
5.7L / EFI GM Alpha	1998 & Up	0L010037 & Up	-	N/A	13101	13100	31560 / 32700
5.7L / EFI GM Bravo	1998 & Up	0L010037 & Up	13540	N/A	13101	13100	31560 / 32700
5.7L / EFI GM	1998 & Up	0L010037 & Up	13540	-	-	-	-
5.7L Ski	1985-1995	0A338533-0F775199	13230	13220	13390	13030	31630 / 31460 / 31560
5.7L Ski	1987-1995	0B514627-0F775199	13231	13700	13390	13030	82250 / 31670 / 31560
5.7L Ski	1987-1998	0B514627 & Up	-	N/A	13101	13100	31560 / 32700
5.7L M IE	1994-1995	0F025000-0F622099	13231	13700	13390	13030	82250 / 31670 / 31560
5.7L M IE	1994-1995	0F025000-0F622099	13550	N/A	13101	13100	31510 / 31560
5.7L M IE	1996-1997	0F622100-0K999999	-	N/A	13101	13100	31560 / 32700

MerCruiser

THERMOSTAT, HOUSING, COVER, KIT & GASKET APPLICATION

Model	Year	Serial No. Range	Thermostat Housing	Thermostat Cover	Thermostat & Gasket Kit	Thermostat	Gasket Reg'd
5.7L M IE	1996-1997	0F622100-0K999999	13550	N/A	13101	13100	31510 / 31500
5.7L M IE	1998 & Up	0L002003 & Up	-	N/A	13101	13100	31560 / 32700
5.7L M IE	1998 & Up	0L002003 & Up	13540	-	-	-	-
350 MAG	1986-1995	0A635178-0F600999	13230	13220	13390	13030	31630 / 31460 / 31560
350 MAG	1987-1995	0B525982-0F600999	13231	13700	13390	13030	82250 / 31670 / 31560
350 MAG	1987-1997	0B525982-0F600999	-	N/A	13101	13100	31560 / 32700
350 MAG Ski	1991-1996	0D505450-0K040399	13231	13700	13390	13030	82250 / 31670 / 31560
350 MAG Ski	1991-1997	0D505450-0K999999	-	N/A	13101	13100	31560 / 32700
350 MAG EFI Ski	1994-1997	0D505450-0K999999	-	N/A	13101	13100	31560 / 32700
350 MAG MPI Ski	1995-1998	0F350583 & Up	-	N/A	13101	13100	31560 / 32700
Scorpion Ski	1996-1998	0F800000 & Up	-	N/A	13101	13100	31560 / 32700
350 MAG MPI / M IE	1998 & Up	0L010019 & Up	13540	-	-	-	-
350 MAG MPI / M IE	1998 & Up	0L010019 & Up	-	N/A	13101	13100	31560 / 32700
270 GM MCM / M IE	1969-1972	2851074-3385720	N.L.A.	13220	13380	13030	31460 / 31510 / 31560
280 GM	1975-1976	4176250-4770199	13530	13220	13380	13030	31510 / 31560
300 GM	1985-1986	6668677-0B430367	13230	13220	13390	13030	31630 / 31460 / 31560
320 GM	1987-1989	0A543604-0C622418	-	13220	13380	13030	31460 / 31510 / 31560
325 GM MCM / M IE	1969-1972	2278747-3780449	N.L.A.	13710	13380	13030	31460 / 31510 / 31560
330 GM MCM / M IE	1977-1987	4623115-0B816540	13550	13710	13380	13030	31460 / 31510 / 31560
330 GM MCM / M IE	1977-1987	4623115-0B816540	-	13710	13390	13030	31630 / 31460 / 31560
340 / 7.4L M IE	1981-1992	5889914-0D715493	13550	13710	13380	13030	31460 / 31510 / 31560
340 / 7.4L M IE	1981-1992	5889914-0D715493	13520	13710	13390	13030	31630 / 31460 / 31560
340 / 7.4L M IE	1981-1992	5889914-0D715493	13231	13700	13390	13030	31630 / 31460 / 31560
7.4L GM	1988-1991	0B771113-0D603117	13520	13710	13390	13030	31630 / 31460 / 31560
7.4L GM	1988-1991	0B771113-0D603117	13231	13700	13390	13030	82250 / 31670 / 31560
7.4L GM	1992-1996	0D603118-0F351999	13231	13700	13390	13030	82250 / 31670 / 31560
7.4 / LX GM	1996-1997	0F352000-0K999999	-	N/A	13101	13100	31560 / 32700
7.4 M P I / T B I	1995-1998	0F563052 & Up	-	N/A	13101	13100	31560 / 32700
7.4 M P I / T B I	1995-1998	0F563052 & Up	13540	-	-	-	-
7.4L M IE	1989-1994	0C391564-0D715493	13231	13700	13390	13030	82250 / 31670 / 31560
7.4L M IE	1989-1994	0C391564-0D715493	13550	13710	13101	13100	31460 / 31510 / 31560
7.4 L M IE	1989-1994	0D715494-0F349999	13231	13700	13390	13030	82250 / 31670 / 31560
7.4 L M IE	1989-1994	0C391564-0F349999	13550	13710	13380	13030	31460 / 31510 / 31560
7.4 L M IE	1994-1996	0F350000-0F820141	-	N/A	13101	13100	31560 / 32700
7.4 L M IE	1994-1996	0D715494-0F820141	13550	13710	13380	13030	31460 / 31510 / 31560
7.4 L M IE	1996-1997	0F820142-0K999999	-	N/A	13101	13100	31560 / 32700
7.4 L M IE	1996-1997	0F820142-0K999999	13550	13710	13101	13100	31510 / 31560
454 Horizon M IE	1998 & Up	0L002200 & Up	-	N/A	-	-	-
454 Horizon M IE	1998 & Up	0L002200 & Up	13540	-	-	-	-
350 M IE	1974-1976	3780450-4623109	N.L.A.	N.L.A.	13380	13030	31510-31560
370 GM	1978-1985	4179554-6721527	N.L.A.	13710	13380	13030	31460 / 31510 / 31560
370 GM	1985-1987	6721528-0B714586	13520	13710	13390	13030	31630 / 31460 / 31560
390 GM MCM / M IE	1969-1970	27881129-3042731	N.L.A.	N.L.A.	13380	13030	31460 / 31510 / 31560
400 GM	1980-1986	4179554-0B457644	N.L.A.	13710	13380	13030	31460 / 31510 / 31560
420 GM	1987-1989	0A398941-0B622418	-	13700	13380	13030	31460 / 31510 / 31560
425 GM	1990-1993	0A398941-0D937011	13520	13710	N/A	13030	31631 / 31460 / 31560
440 GM	1983-1986	4179554-0B485220	N.L.A.	13710	13380	13030	31460 / 31510 / 31560

Section 11

Exhaust Bellows Exhaust Gaskets Exhaust Flapper Valves

<i>Exhaust Bellows</i>	136
<i>Exhaust Flapper Valves</i>	136
<i>Exhaust Manifold Gasket Kits</i>	137
<i>Exhaust Manifold Gaskets</i>	138
<i>Exhaust Elbow Mounting Gaskets</i>	139
<i>End Cap Gaskets</i>	139
<i>Exhaust Manifold Application Guide</i>	140-142

MerCruiser

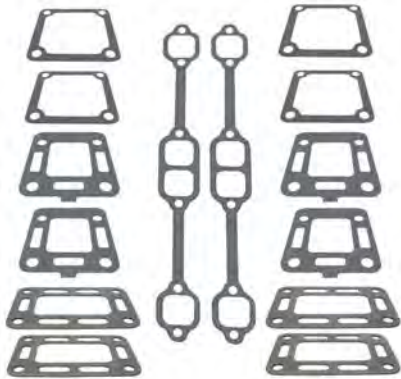
EXHAUST FLAPPER VALVES			WATER SHUTTER	
<p>No. 89240 3 INCH OEM: 34765A1 (with Clamps)</p>  <p>3 Inch</p>	<p>No. 89250 4 INCH OEM: 12644A1 (with Clamps)</p>  <p>4 Inch</p>	<p>No. 89260 5 & 6 INCH OEM: N/A (with Clamps)</p>  <p>5 & 6 Inch</p>	<p>No. 89160 3 INCH OEM: 99370A2</p>  <p>3 Inch</p>	<p>No. 89175 4 INCH OEM: 807166A1</p>  <p>4 Inch</p>
EXHAUST BELLOWS				
<p>No. 89090 LOWER - 3 INCH OEM: 32-90949T</p>  <p>3" Elbow to 3" Y-Pipe</p>	<p>No. 89130 LOWER - 4 INCH OEM: 32-14358T</p>  <p>4" Elbow to 4" Y-Pipe</p>	<p>No. 89070 UPPER - 3 INCH OEM: 70981A3</p>  <p>3" Center Mounted Riser to 4" Elbow Rear Mounted Riser to 4" Y-Pipe V8 (1971-1982), V6 & V8</p>	<p>No. 89120 UPPER - 4 INCH OEM: 32-44348T</p>  <p>4" Center Mounted Riser to 4" Elbow V6 & V8</p>	
<p>No. 89060 EXHAUST ELBOW BELLOW OEM: 53114A1</p>  <p>4 & 6-Cyl. Inline Engines</p>	<p>No. 89100 EXHAUST ELBOW BELLOW OEM: 18654A1 (w/ Clamps & Clips)</p>  <p>Transom Plate to Bell Housing</p>	<p>No. 89150 EXHAUST TUBE OEM: 78458A1 (w/ Clamp & Clips)</p>  <p>Transom Plate to Bell Housing</p>	<p>SUS 316 Hose Clamps</p> <p>No. 01056 OEM: 54-815504456 For Bellow 89090, 89060, 89070</p> <p>No. 01070 OEM: 54-815504348 For Bellow 89100, 89150, 89060 (Small side)</p> <p>No. 01100 OEM: 54-815504372 For Bellow 89120, 89130, 89070 (Large side)</p> 	

MerCruiser

EXHAUST MANIFOLD GASKET KITS

No. 39280

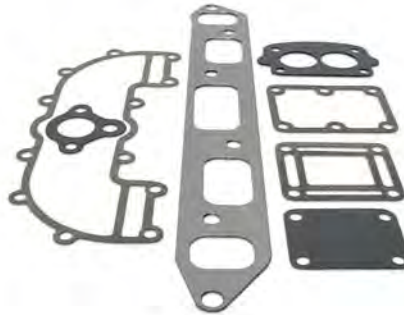
OEM: 27-33395A2



Chevy V8 305/327/350
(1968-1982)

No. 39290

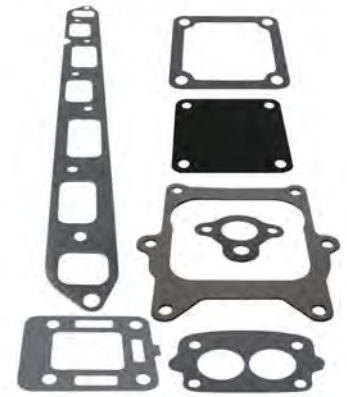
OEM: 27-35898A-4



Chevy 4-Cyl. 153 (2.5L) CID 120HP
(1966-1982)

No. 39270

OEM: 27-46401A1



Chevy 6-Cyl. 250 (4.1L) CID 165HP
(1970-1981)

No. 39120

OEM: 27-46820A1



Chevy V8454 (7.4L) CID
(1968-1982)

No. 39300

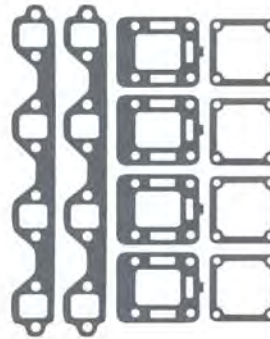
OEM: 27-53354A1



Chevy 4-Cyl. 181 (3.0L) CID
140HP (1968-1982)

No. 39310

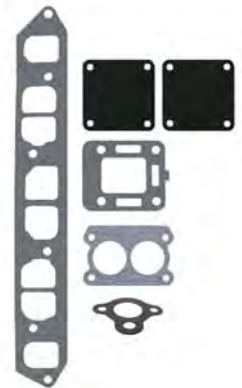
OEM: 27-54566A1



V8 Ford 302/351
(1970-1977)

No. 39320

OEM: 27-99777A1



Chevy 4-Cyl. 153/181 (2.5/3.0)
CID 120/140HP
(1983-1995) non LX

No. 39870

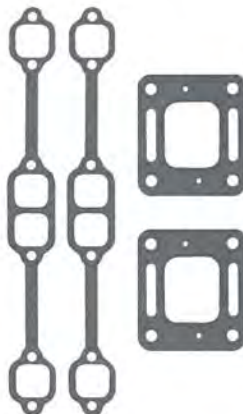
OEM: N/A



Chevy V6 229 & 262 CID (3.8L & 4.3L)
(1983-2001)

No. 39880

OEM: N/A



Chevy V8 305 & 350 CID (5.0L & 5.7L)
(1983-2001)

No. 39890

OEM: N/A



Chevy V8 454 & 502 CID (7.4L & 8.2L)
(1983 & Up)

MerCruiser

EXHAUST MANIFOLD GASKETS

No. 31550

OEM: 27-52546



Chevy 4-Cyl.
153CI / 2.5L / 120HP

No. 33570

OEM: 27-96429



Chevy 4-Cyl. 153/181
(2.5/3.0L) CID (1983-1995) nonLX

No. 31570

OEM: 27-53354



Chevy 4-Cyl. 181 (3.0L) CID
(1968-1982)

No. 33580

OEM: 27-815528



Chevy 4-Cyl.

No. 31710

OEM: 27-68715



4-Cyl. 224 (3.7L) CID
MerCruiser Built

No. 31440

OEM: 27-46401



Chevy Inline 6-Cyl.
250CI/165hp

No. 32170

OEM: 27-99757



Chevy V6

No. 33790

OEM: 27-73866



Ford 302/351

No. 31100

OEM: 27-33395



Chevy 305/350

No. 31101

OEM: BARR STYLE
CHV-47-0000



Chevy 305/350

No. 33760











OEM: 27-46820








Chevy 454/502

MerCruiser

EXHAUST ELBOW MOUNTING GASKETS

<p>No. 32080 OEM: 27-860232 CENTER RISER - OPEN GASKET</p> 	<p>No. 30240 OEM: 27-860233 CENTER RISER - RESTRICTED GASKET</p> 	<p>No. 30220 OEM: 27-860231 CENTER RISER - CLOSED COOLING</p> 
<p>No. 32630 OEM: 27-92720 REAR RISER - CLOSED COOLING</p>  <p>(1968-1982)</p>	<p>No. 31520 OEM: 27-99777-2 REAR RISER - OPEN GASKET</p>  <p>4/6-Cyl. (except 120hp) (1968-82), All V8 (1978-82)</p>	<p>No. 31410 OEM: 27-39915</p>  <p>120 (1966-1982)</p>
<p>No. 31480 OEM: 27-48042 WITH TRS DRIVE</p>  <p>Chevy 305/327/350 (1968-1977) Chevy 454 V8 (1968-1982)</p>	<p>No. 32460 STEEL GASKET OEM: 27-856705</p>  <p>MerCruiser Built 4-Cyl. Engines w/ Aluminum Exhaust Manifolds</p>	<p>No. 32370 PAPER GASKET OEM: 27-89657</p>  <p>MerCruiser Built 4-Cyl. Engines w/ Aluminum Exhaust Manifolds</p>
<p>No. 32470 OEM: 27-18272</p>  <p>MerCruiser Built 4-Cyl. Engines w/ Cast Iron Exhaust Manifolds (except 1976-1982 470)</p>		

END CAP GASKETS

<p>No. 30190 FRONT GASKET OEM: 27-39917</p>  <p>153CI/120HP (1966-1982) Used w/ end caps w/ water hose connections</p>	<p>No. 31420 REAR GASKET OEM: 27-39923</p>  <p>153CI/120HP (1966-1982)</p>	<p>No. 30910 REAR GASKET OEM: 27-73812</p>  <p>153CI/120HP (1966-1982) Used w/ end caps w/o water hose connections</p>
<p>No. 31490 REAR / FRONT GASKET OEM: 27-48043-1</p>  <p>Used w/ end caps w/ water hose connections</p>	<p>No. 30920 REAR / FRONT GASKET OEM: 27-807218</p>  <p>Used w/ end caps w/ water hose connections</p>	

MerCruiser

EXHAUST MANIFOLD, ELBOW & GASKET APPLICATION

Model	Year	Serial No. Range	End Cap Front	End Cap Rear	Exhaust Elbow	Exhaust Manifold Port	Exhaust Manifold Stbd	Gasket End Cap Front	Gasket End Cap Rear	Gasket Exhaust Manifold	Gasket Exhaust Elbow
110 L4	1963-1966	1537370-2044033	N.L.A.	N.L.A.	N.L.A.	N.L.A.	N/A	N.L.A.	N.L.A.	31550	N.L.A.
120 L4	1966-1982	2046625-6229717	N.L.A.	N.L.A.	-	-	N/A	30190	31420	31550	31410
120 / 2.5L L4	1983-1989	6229718-0C853255	51010	51020	51130	51210	N/A	31490	30920	33570	31520
140 L4	1968-1982	2508261-6229717	51010	51030	51120	-	N/A	31490	31490	31570	31520
140 / 3.0L L4	1982-1995	6229718-0F603999	51010	51020	51130	51210	N/A	31490	30920	33570	31520
3.0LX L4	1990-1995	0C856559-0F426999	N/A	N/A	-	-	N/A	N/A	N/A	33580	31520
3.0L / LX L4	1995 & Up	0F427000 & Up	51030	51020	-	-	N/A	30920	30920	33580	31520
165 / 170 / 3.7L CI L4	1985-1989	6916779-0C762299	N/A	N/A	-	-	N/A	N/A	N/A	31710	32470
165 / 170 / 3.7L Aluminum L4	1985-1989	6916779-0C762299	N/A	N/A	-	-	N/A	N/A	N/A	31710	32460
180 / 190 / 3.7LX CI L4	1985-1989	6916779-0C762299	N/A	N/A	-	-	N/A	N/A	N/A	31710	32470
180 / 190 / 3.7LX Aluminum L4	1985-1989	6916779-0C762299	N/A	N/A	-	-	N/A	N/A	N/A	31710	32460
470 MCM L4	1976-1977	4208730-4625579	N.L.A.	N.L.A.	51120	-	N/A	31490	31490	31710	31520
470 MCM / MIE L4	1977-1982	4625580-6218036	N.L.A.	N.L.A.	51130	-	N/A	31490	31490	31710	31520
470 MCM Aluminum L4	1983-1984	6218037-6916778	N/A	N/A	-	-	N/A	N/A	N/A	31710	32460
485 L4	1980-1982	5685394-6218036	N/A	N/A	-	-	N/A	N/A	N/A	31710	32370
488 Aluminum L4	1983-1984	6170297-6916778	N/A	N/A	-	-	N/A	N/A	N/A	31710	32460
140 L6	1963	1538930-1725960	N/A	N/A	N.L.A.	N/A	N/A	N/A	N/A	31440	N.L.A.
150 L6	1964-1966	1666495-2048046	N/A	N/A	N.L.A.	N/A	N/A	N/A	N/A	31440	N.L.A.
160 L6	1967-1969	2048022-2770031	N/A	N/A	N.L.A.	N.L.A.	N/A	N/A	N/A	31440	N.L.A.
165 L6	1970-1981	2770032-5813433	51010	51030	51120	-	N/A	31490	30920	31440	31520
200 L6	1969	2453769-2712072	N.L.A.	51030	51120	-	N/A	31490	31490	31440	31520
175 / 185 / 4.3L V6	1985-1992	0A331455-0D714106	N/A	N/A	51110	51220	51220	N/A	N/A	32170	30240
175 / 185 / 4.3L V6	1985-1992	0A331455-0D714106	N/A	N/A	51140	51220	51220	N/A	N/A	32170	30240
185 (4 BBL) V6	1983-1984	6330183-6919655	N/A	N/A	51110	51220	51220	N/A	N/A	32170	30240
205 / 4.3LX V6	1985-1991	0A331455-0D714369	N/A	N/A	51110	51220	51220	N/A	N/A	32170	30240
205 / 4.3LX V6	1985-1991	0A331455-0D714369	N/A	N/A	51140	51220	51220	N/A	N/A	32170	30240
262 MAG / 4.3L EFI V6	1996 & Up	0F803800 & Up	N/A	N/A	51140	51220	51220	N/A	N/A	32170	30240
262 MAG / 4.3L EFI V6	1996 & Up	0F803800 & Up	N/A	N/A	N/A	-	-	N/A	N/A	32170	N/A
4.3L / LX V6	1992-1996	0D714107-0F802999	N/A	N/A	51140	51220	51220	N/A	N/A	32170	30240
4.3L / LH / LX / LXH V6	1996 & Up	0F803800 & Up	N/A	N/A	51140	51220	51220	N/A	N/A	32170	30240
4.3L / LH / LX / LXH V6	1996 & Up	0F803800 & Up	N/A	N/A	N/A	-	-	N/A	N/A	32170	N/A
190 V8	1963-1964	1564539-1730903	N.L.A.	N.L.A.	N.L.A.	N.L.A.	N.L.A.	-	-	31100	-
198 MIE V8	1977 & Up	4762210-6218461	51010	51010	-	-	-	31490	31490	31100	31520
898 MCM V8	1977-1982	4762210-6218461	51010	51010	51120	-	-	31490	31490	31100	31520
898 / 200 / 5.0L V8	1983-1995	6218462-0F600999	N/A	N/A	51110	51230	51230	N/A	N/A	31100	30240
898 / 200 / 5.0L V8	1983-1995	6218462-0F600999	N/A	N/A	51140	51230	51230	N/A	N/A	31100	30240
5.0L / EFI (2 bbl) V8	1998 & Up	0L015751 & Up	N/A	N/A	51140	51230	51230	N/A	N/A	31100	30240
215 MCM (FORD) V8	1970	2781153-3040410	51010	51030	51120	-	-	31490	31490	33790	31520
215 MCM (FORD) V8	1971-1972	3040411-3563181	51010	51010	51120	-	-	31490	31490	33790	31520
215 MIE (FORD) V8	1970	2781153-3040410	51010	51030	-	-	-	31490	31490	33790	31520
215 MIE (FORD) V8	1971-1972	3040411-3563181	51010	51010	-	-	-	31490	31490	33790	31520
225 MCM (FORD) V8	1973-1974	3385721-4166999	51010	51010	51120	-	-	31490	31490	33790	31520
225 MCM (FORD) V8	1973-1974	3385721-4166999	51010	51010	-	-	-	31490	31490	33790	31520
888 (FORD) V8	1971-1977	3108723-4887829	51010	51010	51120	-	-	31490	31490	33790	31520
225 MCM / MIE (GM) V8	1963-1968	1539620-2399397	N.L.A.	N.L.A.	N.L.A.	N.L.A.	N.L.A.	-	-	31100	-
225 MCM / MIE (GM) V8	1968-1969	2399398-2694014	51010	51030	-	-	-	31490	31490	31100	31480
228 V8	1977	4765100-4888929	51010	51010	-	-	-	31490	31490	31100	31520
228 V8	1978-1982	4765100-4888929	51010	51010	51120	-	-	31490	31490	31100	31520



MerCruiser

EXHAUST MANIFOLD, ELBOW & GASKET APPLICATION

Model	Year	Serial No. Range	End Cap Front	End Cap Rear	Exhaust Elbow	Exhaust Manifold Port	Exhaust Manifold Stbd	Gasket End Cap Front	Gasket End Cap Rear	Gasket Exhaust Manifold	Gasket Exhaust Elbow
228 TR V8	1977	4765100-4888929	51010	51010	-	-	-	31490	31490	31100	31480
228 TR V8	1977-1978	4888930-5170008	51010	51010	51120	-	-	31490	31490	31100	31520
228 MIE V8	1977	4765100-4888929	51010	51010	-	-	-	31490	31490	31100	31520
228 MIE V8	1977-1980	4888930-5907057	51010	51010	-	-	-	31490	31490	31100	31520
228 / 230 / 5.0LX V8	1983-1995	6218462-0F600999	N/A	N/A	51110	51230	51230	N/A	N/A	31100	30240
228 / 230 / 5.0LX V8	1983-1995	6218462-0F600999	N/A	N/A	51140	51230	51230	N/A	N/A	31100	30240
230 / 5.0L MIE V8	1981-1987	5907058-0B788151	N/A	N/A	-	51230	51230	N/A	N/A	31100	30240
230 / 5.0L MIE V8	1981-1987	5907058-0B788151	N/A	N/A	51110	51230	51230	N/A	N/A	31100	30240
230 / 5.0L MIE V8	1981-1987	5907058-0B788151	N/A	N/A	51140	51230	51230	N/A	N/A	31100	30240
233 MCM (FORD) V8	1975-1977	4173000-4902304	51010	51010	51120	-	-	31490	31490	33790	31520
233 MIE (FORD) V8	1975-1977	4173000-4902304	51010	51010	-	-	-	31490	31490	33790	31520
233 MIE (FORD) V8	1975-1977	4173000-4902304	51030	51010	-	-	-	31490	31490	33790	31520
250 MCM / MIE (327) V8	1968-1969	2314301-2639854	51010	51030	-	-	-	31490	31490	31100	31480
250 (350) V8	1977	4768000-4908849	51010	51010	51120	-	-	31490	31490	31100	31520
255 MCM / MIE (FORD) V8	1973-1974	3258728-4175499	51010	51010	51120	-	-	31490	31490	33790	31520
255 MIE (FORD) V8	1973-1974	3258728-4175499	51010	51010	-	-	-	31490	31490	33790	31520
255 MIE (FORD) V8	1973-1974	3258728-4175499	51030	51010	-	-	-	31490	31490	33790	31520
255 MCM (GM) V8	1975-1976	4175500-4499060	51010	51030	-	-	-	31490	31490	31100	31480
255 MCM (GM) V8	1976	4499061-4767999	51010	51010	51120	-	-	31490	31490	31100	31520
255 MIE (GM) V8	1975-1976	4175500-4499060	51010	51030	-	-	-	31490	31490	31100	31480
255 MIE (GM) V8	1976-1980	4499061-5907057	51010	51010	-	-	-	31490	31490	31100	31520
260 / 5.7L MIE V8	1981-1993	5907058-0F024999	N/A	N/A	-	51230	51230	N/A	N/A	31100	30240
260 / 5.7L MIE V8	1981-1993	5907058-0F024999	N/A	N/A	51110	51230	51230	N/A	N/A	31100	30240
260 / 5.7L MIE V8	1981-1993	5907058-0F024999	N/A	N/A	51140	51230	51230	N/A	N/A	31100	30240
260 V8	1978-1982	4908850-6218461	51010	51010	51120	-	-	31490	31490	31100	31520
260 / 5.7L / LX V8	1983-1997	6218462-0K999999	N/A	N/A	51110	51230	51230	N/A	N/A	31100	30240
260 / 5.7L / LX V8	1983-1997	6218462-0K999999	N/A	N/A	51140	51230	51230	N/A	N/A	31100	30240
5.7L CARB & EFI V8	1998 & Up	0L010037 & Up	N/A	N/A	51140	51230	51230	N/A	N/A	31100	30240
5.7L / LX EFI V8	1995 & Up	0F225560 & Up	N/A	N/A	51140	51230	51230	N/A	N/A	31100	30240
5.7LX Bravo EFI V8	1996-1997	0F800300-0K999999	N/A	N/A	51140	51230	51230	N/A	N/A	31100	30240
5.7L SKI V8	1985-1997	0A338533-0K999999	N/A	N/A	51110	51230	51230	N/A	N/A	31100	30240
5.7L SKI V8	1985-1997	0A338533-0K999999	N/A	N/A	51140	51230	51230	N/A	N/A	31100	30240
5.7L SKI V8	1998 & Up	0L002005 & Up	N/A	N/A	51140	51230	51230	N/A	N/A	31100	30240
5.7L MIE V8	1994-1997	0F025000-0K999999	N/A	N/A	51140	51230	51230	N/A	N/A	31100	30240
5.7L MIE V8	1998 & Up	0L002003 & Up	N/A	N/A	51140	51230	51230	N/A	N/A	31100	30240
5.7L EFI MIE V8	1997	0K040300-0K999999	N/A	N/A	51140	-	-	N/A	N/A	31100	30240
350 MAG Alpha V8	1986-1997	0A635178-0K999999	N/A	N/A	51140	51230	51230	N/A	N/A	31100	30240
350 MAG Alpha EFI V8	1996-1997	0F800300-0K999999	N/A	N/A	51140	51230	51230	N/A	N/A	31100	30240
350 MAG Bravo MPI V8	1995-1996	0F415189-0K001500	N/A	N/A	51140	51230	51230	N/A	N/A	31100	30240
350 MAG Bravo MPI V8	1997	0K001501-0K999999	N/A	N/A	51140	51230	51230	N/A	N/A	31100	30240
350 MAG Bravo MPI V8	1998 & Up	0L010019 & Up	N/A	N/A	51140	51230	51230	N/A	N/A	31100	30240
350 MAG SKI V8	1991-1997	0D505450-0K999999	N/A	N/A	51140	51230	51230	N/A	N/A	31100	30240
350 MAG EFI SKI V8	1994-1996	0F215561-0F820706	N/A	N/A	51140	51230	51230	N/A	N/A	31100	30240
350 MAG EFI SKI V8	1996-1997	0F820707-0K999999	N/A	N/A	51140	51230	51230	N/A	N/A	31100	30240
350 MAG MPI SKI V8	1995 & Up	0F350583 & Up	N/A	N/A	51140	51230	51230	N/A	N/A	31100	30240
350 MAG MPI MIE V8	1998 & Up	0L002008 & Up	N/A	N/A	51140	51230	51230	N/A	N/A	31100	30240
Black Scorpion SKI V8	1996 & Up	0F800000 & Up	N/A	N/A	51140	51230	51230	N/A	N/A	31100	30240
270 MCM V8	1969-1972	2851074-3385720	51010	51030	-	-	-	31490	31490	31100	31480

MerCruiser

EXHAUST MANIFOLD, ELBOW & GASKET APPLICATION

Model	Year	Serial No. Range	End Cap Front	End Cap Rear	Exhaust Elbow	Exhaust Manifold Port	Exhaust Manifold Stbd	Gasket End Cap Front	Gasket End Cap Rear	Gasket Exhaust Manifold	Gasket Exhaust Elbow
270 MIE V8	1969-1972	2851074-3385720	51010	51030	-	-	-	31490	31490	31100	31480
280TRS V8	1975-1976	4176250-4770199	51010	51030	51120	-	-	31490	31490	31100	31480
300 V8	1985-1986	6668677-0B430367	N/A	N/A	N.L.A.	51230	51230	N/A	N/A	31100	32080
320 EFI V8	1987-1989	0A543604-0C622418	N/A	N/A	51140	51230	51230	N/A	N/A	31100	30240
325 MCM / MIE V8	1968	2278747-23113964	N.L.A.	N.L.A.	N.L.A.	N.L.A.	N.L.A.	N.L.A.	N.L.A.	33760	-
325 MCM / MIE V8	1968-1974	2313965-3780449	51010	51030	-	-	-	31490	31490	33760	31480
325 MIE V8	1968-1974	2313965-3780449	51010	51030	-	-	-	31490	31490	33760	31480
330 MCM V8	1977-1981	4623115-6083144	51010	51010	-	-	-	31490	31490	33760	31480
330 V8	1982-1987	6083145-0B816540	N/A	N/A	51110	51240	51240	N/A	N/A	22760	30240
330 V8	1982-1987	6083145-0B816540	N/A	N/A	51140	51240	51240	N/A	N/A	33760	30240
330 MIE V8	1977-1981	4623115-6083144	51010	51010	-	-	-	31490	31490	33760	31480
340 / 7.4L MIE w/ BW V8	1981-1992	5889914-0D715493	N/A	N/A	-	51240	51240	N/A	N/A	33760	30240
340 / 7.4L MIE w/ BW V8	1981-1992	5889914-0D715493	N/A	N/A	51110	51240	51240	N/A	N/A	33760	30240
340 / 7.4L MIE w/ BW V8	1981-1992	5889914-0D715493	N/A	N/A	51140	51240	51240	N/A	N/A	33760	30240
350 MIE V8	1974-1975	3780450-4501640	51010	51030	-	-	-	31490	31490	33760	31480
350 MIE V8	1976	4501641-4623109	51010	51010	-	-	-	31490	31490	33760	31480
7.4L / LX CARB & EFI V8	1988 & Up	0B771113 & Up	N/A	N/A	51140	51240	51240	N/A	N/A	33760	30240
7.4L MIE CARB & EFI V8	1989 & Up	0C391564 & Up	N/A	N/A	51140	51240	51240	N/A	N/A	33760	30240
454 MAG CARB & EFI V8	1986 & Up	0A631894 & Up	N/A	N/A	51140	512409	51240	N/A	N/A	33760	30240
454 MAG SKI V8	1995-1997	0F215800-0K999999	N/A	N/A	51140	51240	51240	N/A	N/A	33760	30240
454 MAG MPI MIE V8	1998 & Up	0L002200 & Up	N/A	N/A	51140	51240	51240	N/A	N/A	33760	30240
370 TRS V8	1978-1985	4179554-6721527	51010	51030	-	-	-	31490	31490	33760	31480
370 TRS V8	1985-1987	6721528-0B714586	N/A	N/A	51140	51240	51240	N/A	N/A	33760	32080
390 MCM / MIE V8	1969-1970	2781129-3042731	51030	51030	-	-	-	31490	31490	33760	31480
400 TRS V8	1980-1986	4179554-0B457644	51010	51030	-	-	-	31490	31490	33760	31480
420 V8	1987-1989	0A398941-0B622418	N/A	N/A	N.L.A.	-	-	N/A	N/A	33760	32020
425 V8	1990-1992	0A398941-0D937011	N/A	N/A	-	-	-	N/A	N/A	33760	32020
440 TRS V8	1983-1986	4179554-0B485220	N/A	N/A	N.L.A.	N.L.A.	N.L.A.	N/A	N/A	-	32020
450 V8	1995-1996	0F347277	N/A	N/A	-	-	-	N/A	N/A	33760	32020
450 V8	1995-1996	0F347100-0F347277	N/A	N/A	-	-	-	N/A	N/A	33760	32020
450 V8	1995-1996	0F347100-0F347277	N/A	N/A	-	-	-	N/A	N/A	33760	32020
460 TRS V8	1983-1986	4179554-6181046	N/A	N/A	N.L.A.	N.L.A.	N.L.A.	N/A	N/A	-	32020
465 V8	1990-1994	0C849992-0F213244	N/A	N/A	-	-	-	N/A	N/A	33760	32020
465 V8	1990-1994	0C849992-0F213244	N/A	N/A	-	-	-	N/A	N/A	33760	32020
465 V8	1990-1994	0C849992-0F213244	N/A	N/A	-	-	-	N/A	N/A	33760	32020
500 V8	1994-1997	0F213293 & Up	N/A	N/A	-	-	-	N/A	N/A	33760	32020
500 V8	1994-1997	0F213293 & Up	N/A	N/A	-	-	-	N/A	N/A	33760	32020
500 V8	1994-1997	0F213293 & Up	N/A	N/A	-	-	-	N/A	N/A	33760	32020
500 Bulldog w/ Bravo V8	1990-1996	0C577254 & Up	N/A	N/A	-	-	-	N/A	N/A	33760	32020
500 Bulldog w/ Bravo V8	1990-1996	0C577254 & Up	N/A	N/A	-	-	-	N/A	N/A	33760	32020
500 Bulldog w/ Bravo V8	1990-1996	0C577254 & Up	N/A	N/A	-	-	-	N/A	N/A	33760	32020
500 Bulldog w/ SSM V8	1990-1996	0C577254 & Up	N/A	N/A	-	-	-	N/A	N/A	33760	32020
500 Bulldog w/ SSM V8	1990-1996	0C577254 & Up	N/A	N/A	N.L.A.	-	-	N/A	N/A	33760	32020
500 Bulldog w/ SSM V8	1990-1996	0C577254 & Up	N/A	N/A	-	-	-	N/A	N/A	33760	32020
502 MAG CARB & EFI V8	1990-1996	0C878221 & Up	N/A	N/A	51140	51240	51240	N/A	N/A	33760	30240
525 SC w/ Bravo V8	1991-1996	0D456000-0F877734	N/A	N/A	-	-	-	N/A	N/A	33760	32020
525 SC w/ SSM V8	1991-1996	0D456000-0F877734	N/A	N/A	-	-	-	N/A	N/A	33760	32020
525 SC w/ SSM V8	1991-1996	0D456000-0F877734	N/A	N/A	N.L.A.	-	-	N/A	N/A	33760	32020
525 SC w/ SSM V8	1991-1996	0D456000-0F877734	N/A	N/A	-	-	-	N/A	N/A	33760	32020
525 SC V8	1997	0K000012 & Up	N/A	N/A	N/A	-	-	N/A	N/A	-	N/A
600 SC V8	1991-1996	0D456489-0F877642	N/A	N/A	-	-	-	N/A	N/A	33760	32020
600 SC V8	1991-1996	0D456489-0F877642	N/A	N/A	N/A	-	-	N/A	N/A	33760	32020
600 SC V8	1997	0K000227 & Up	N/A	N/A	N/A	-	-	N/A	N/A	-	N/A
800 SC V8	1993-1996	0D763836 & Up	N/A	N/A	N.L.A.	-	-	N/A	N/A	-	-
8.2L MIE CARBV & EFI V8	1990 & Up	0C878221 & Up	N/A	N/A	51140	51240	51240	N/A	N/A	33760	30240



Section 12

Fuel Filters Carburetor Parts Fuel Pumps

<i>Water/Fuel Separators</i>	<i>144-145</i>
<i>Water/Fuel Separator Kits</i>	<i>146</i>
<i>Fuel Filters</i>	<i>147</i>
<i>Fuel Filter Kits</i>	<i>147</i>
<i>Carburetor Kits</i>	<i>148</i>
<i>Carburetor Mounting Gaskets</i>	<i>149</i>
<i>Carburetor Needle and Seats</i>	<i>150</i>
<i>Carburetor Floats</i>	<i>150</i>
<i>Carburetor Parts Application Guide</i>	<i>151-154</i>
<i>Vapor Separator Tank O-Ring Kit & Applications</i>	<i>155</i>
<i>Fuel Pump Gaskets</i>	<i>155</i>

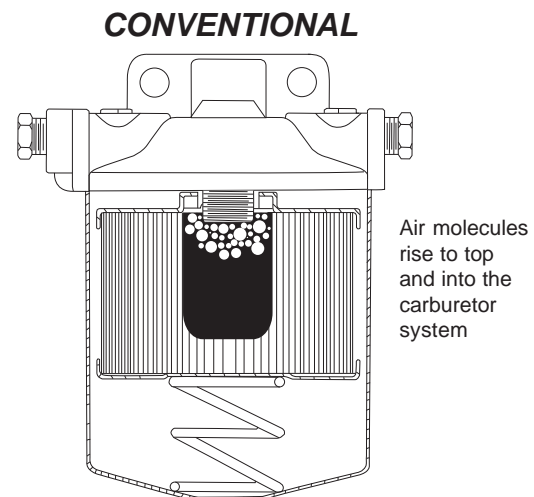
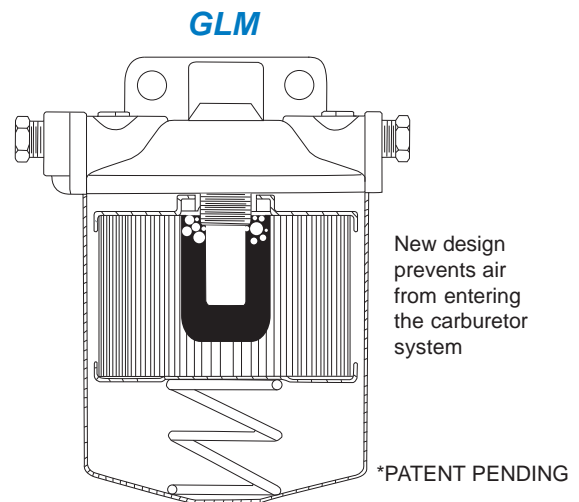
MerCruiser

ELIMINATE FUEL STARVATION WITH THE NEW GLM LOW-PICKUP WATER/FUEL SEPARATOR MOUNTING BRACKET

Engine compartment temperatures can soar on hot summer days creating high gasoline temperatures. High temps and agitation caused by rough seas can aerate the gasoline in the water/fuel separator filter turning it into foam. A fuel pump can't pull aerated gasoline from the water/fuel separator and pump it to the carburetor or fuel rail efficiently. The engine will show signs of gasoline starvation (lean) at high speeds, a situation very similar to vapor lock.

Because this aerated gasoline rises to the top of the water/fuel separator filter, GLM has introduced a water/fuel filter separator mounting bracket with a fuel pickup extending deeper into the filter. Through extensive research and testing the GLM engineers have found the optimum location for the fuel pickup. The deeper location is low enough to be free of aerated gasoline but high enough to be free of the water in the bottom of the separator.

The deeper fuel pickup is only found on the new GLM water/fuel separator mounting bracket kits. It might solve some of those mysterious fuel delivery problems your engine may be experiencing!



***For trouble free boating always remember to replace your water/fuel separator filter after every 50 hours of engine operation!**

MerCruiser

HOW TO CHOOSE THE CORRECT WATER/FUEL SEPARATOR

Water/Fuel Separators are categorized by their capacity to filter different sized dirt particles. Rated in Microns, (each micron is one millionth of an inch in diameter) marine filters will normally be available with elements capable of filtering 2 micron particles, 10 micron particles, or 28 micron particles. A marine filter capable of filtering 2 micron particles will clean the fuel more efficiently than a 28 micron filter but will be more restrictive to fuel flow. The 2 micron filter will also become dirty sooner and will need replacement more often.

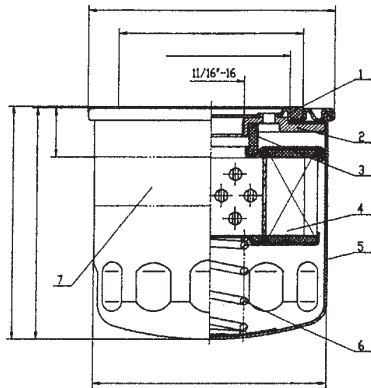
Fuel flow is rated in Gallons Per Hour (GPH). A typical 350/5.7L inboard engine will require 27 GPH at 4,800 rpm, a 454/7.4L inboard engine will require 37 GPH at 4,800 rpm. Selecting a fuel/water separator filter should be based on the amount of fuel the engine requires in GPH at wide open throttle.

A 2 micron fuel filter is generally too restrictive for the average four stroke inboard engine and may separate the

oil from the fuel in two stroke outboard engines. For this reason GLM sells only the 10 and 28 micron fuel filters.

The 28 micron filter is the most common size fuel filter in the marine industry and is the standard replacement filter for all two stroke and four stroke marine engines. The GLM 28 micron filter exceeds all engine manufacturers' specifications for particle filtering, water separating and fuel flow.

The GLM 10 micron filter will provide exceptional filtering and only moderate fuel pressure loss. When used with sufficient sized fuel lines it will flow enough fuel for inboard engines up to 550 horsepower. It will **not** separate the oil from the gasoline on a two stroke outboard equipped boat. Because a 10 micron filter clogs faster than a 28 micron filter GLM recommends it only for boaters who are vigilant in replacing the water/fuel separator filter at regular intervals.



GLM Fuel Filter Features

- * 28 or 10 micron filter paper shaped into 70 pleats total 327 sq. in. filtration. The largest filtering capability in the aftermarket. (4)
- * BWG #11 heavy duty spring (6).
- * Gasoline resistant rubber seals (1) (3).
- * Oxidizing treatment inside powder coated outside for corrosion protection (5).
- * Minimum 196N.m. torque strength between adapt plate and canister (2).
- * Will not separate 2 cycle oil from gasoline!

SUS316 Stainless Steel Brackets		Translucent Red Stainless Steel Brackets		Die Cast Aluminum Brackets	
No. 25010 w/ 2 brass plugs 2 extension tubes   ø 1/4" NPTF Ports (2 inputs & 2 outputs)	No. 25030 w/ 2 brass plugs 2 extension tubes   ø 3/8" NPTF Ports (2 inputs & 2 outputs)	No. 25011 w/ 2 brass plugs 2 extension tubes   ø 1/4" NPTF Ports (2 inputs & 2 outputs)	No. 25031 w/ 2 brass plugs 2 extension tubes   ø 3/8" NPTF Ports (2 inputs & 2 outputs)	No. 25000 w/ 2 brass plugs 2 extension tubes   ø 1/4" NPTF Ports (2 inputs & 2 outputs)	No. 25020 w/ 2 brass plugs 2 extension tubes   ø 3/8" NPTF Ports (2 inputs & 2 outputs)
No. 24942 WATER SEPARATOR FUEL FILTER OEM: N/A  10 micron Height 4-7/16"		No. 24940 WATER SEPARATOR FUEL FILTER OEM: 35-60494-1  28 micron Height 4-7/16"		No. 24941 WATER SEPARATOR FUEL FILTER OEM: 35-802893Q  28 micron Height 3-3/4"	

MerCruiser

WATER SEPARATING FUEL FILTER KITS

With Stainless Steel Bracket

No. 24956

(24940+25010)
OEM: N/A

28 Micron

ø 1/4" NPTF Ports
Flow: 50 GPH
with 2 brass plugs & 2 extension tubes



No. 24958

(24940+25030)
OEM: N/A

28 Micron

ø 3/8" NPTF Ports
Flow: 75 GPH
with 2 brass plugs & 2 extension tubes



No. 24957

(24942+25010)
OEM: N/A

10 Micron

ø 1/4" NPTF Ports
Flow: 50 GPH
with 2 brass plugs & 2 extension tubes



No. 24959

(24942+25030)
OEM: N/A

10 Micron

ø 3/8" NPTF Ports
Flow: 75 GPH
with 2 brass plugs & 2 extension tubes



With NEW! Translucent Red Stainless Steel Bracket

No. 24960

(24940+25011)
OEM: N/A

28 Micron

ø 1/4" NPTF Ports
Flow: 50 GPH
with 2 brass plugs & 2 extension tubes



No. 24962

(24940+25031)
OEM: N/A

28 Micron

ø 3/8" NPTF Ports
Flow: 75 GPH
with 2 brass plugs & 2 extension tubes



With Die Cast Aluminum Bracket

No. 24950

(24940+25000)
OEM: N/A

28 Micron

ø 1/4" NPTF Ports
Flow: 50 GPH
with 2 brass plugs & 2 extension tubes



No. 24953

(24940+25020)
OEM: N/A

28 Micron

ø 3/8" NPTF Ports
Flow: 75 GPH
with 2 brass plugs & 2 extension tubes



No. 24952

(24942+25000)
OEM: N/A

10 Micron

ø 1/4" NPTF Ports
Flow: 50 GPH
with 2 brass plugs & 2 extension tubes



No. 24954

(24942+25020)
OEM: N/A

10 Micron

ø 3/8" NPTF Ports
Flow: 75 GPH
with 2 brass plugs & 2 extension tubes



MerCruiser

FUEL FILTERS & KITS

Carburetor Fuel Filters

No. 24840

CARBURETOR FUEL FILTER
OEM: Merc 35-53336Q



No. 24841

CARBURETOR FUEL FILTER
WITH GASKETS
OEM: Merc 1397-8767Q



No. 24810

CARBURETOR FUEL FILTER
OEM: Merc 93568



Holley 4-Barrel

No. 24980

CARBURETOR FUEL FILTER
OEM: Merc 1397-2150



Fuel Pump Filter Kits

No. 24850

FUEL PUMP FILTER KIT
OEM: Merc 35-803897K1



No. 24880

FUEL PUMP FILTER KIT
OEM: Merc 35-803897Q1



FOUR BARREL CARBURETOR KITS

No. 76150

OEM: 823426A1

Fits All Engines with a
Quadrajets Marine Carburetor



Rochester
Quadrajets 4-barrel

No. 76140

OEM: 809064

No. 76170

OEM: 809065



Weber
4-Barrel for V8

No. 76096

OEM: 1396-5238

Fits 351 Ford (1970-1974)

No. 76110

OEM: 13220

Fits Most Mercruiser HP Engines



Holley
4-Barrel

MerCruiser

ONE & TWO BARREL CARBURETOR KITS

No. 76068

OEM: 823427A1

Fits 153CI/2.5L/120HP with Rochester Carburetor (1972 & Up)

Fits 181CI/3.0L/140HP with Rochester Carburetor (1968 & Up)

All Chevy Inline 6-Cyl. Engines with Rochester Carburetor



Rochester
2-Barrel

No. 76083

OEM: 1397-6367A1

Fits 224/3.7L with Rochester 2-Barrel Carburetor (1976-1989)



Rochester
2-Barrel

No. 76106

OEM: 1397-8760

For V8 Fits 302 Ford with Rochester 2-Barrel Carburetor (1970-1977)

No. 76107

OEM: 1397-5831

For V8 Fits 305 Chevy with Rochester 2-Barrel Carburetor (1978 & Up)



Rochester
2-Barrel

No. 76081

OEM: 1396-4656

For V8 Fits 302 Ford with Holley 2-Barrel Carburetor (1970-1977)



Holley
2-Barrel

No. 76085

OEM: 3302-804845

Early MerCarb Fits (1983-1986) with #1 Design Accelerator Pump

No. 76086

OEM: 3320-804844

Late MerCarb Fits (1985-present) with #2 Design Accelerator Pump



MerCarb
2-Barrel

No. 76082

OEM: 1398-3089

Fits 80 HP Renault (1966-1969)



Carter
1-Barrel

MerCruiser

CARBURETOR MOUNTING GASKETS

2-Barrel / 5.7 & 7.4L MPI

No. 30580

OEM: 27-60715



Holley

No. 31660

OEM: 27-64692



Rochester

No. 32140

OEM: 27-70142



Holley

No. 32180

OEM: 27-807982



Roch. & MerCarb

No. 30363

OEM: 27-805396



5.7L & 7.4L MPI

4-Barrel

No. 30362

OEM: 27-12732



Holley

No. 30361

OEM: 27-41609



Holley

No. 32130

OEM: 27-65577



Holley

No. 31540

OEM: 27-48399



Rochester

No. 30380

OEM: 27-52457-2



Roch. & Weber

No. 30510

OEM: 27-58764



Rochester

MerCruiser

INLET NEEDLE & SEATS

No. 40740

OEM: 3302-804689



MerCarb Late with Spring

No. 40750

OEM: 3302-9407



MerCarb Early Solid

No. 40760

OEM: 1397-8548



Quadrajets

No. 40770

OEM: 811534



Weber V8 Engines

No. 40780

OEM: 823727



Weber V6 Engines

CARBURETOR FLOATS

No. 77210

OEM: 1397-2610



Rochester
1-Barrel

No. 77200

OEM: 1397-2060



Rochester
2-Barrel

No. 77230

OEM: 1397-5837,
3302-9031



Roch. & MerCarb
2-Barrel

No. 77220

OEM: 1397-3327,
8546 / 8959



Quadrajets
4-Barrel

No. 77240

OEM: 811536T



Weber
4-Barrel

MerCruiser

CARBURETOR REPAIR KITS & FLOATS APPLICATION

Model	Year	Serial No. Range	Original Carb No.	MFG No. Code / Model	Carb. Repair Kit	Base Gasket	Float No.	Needle & Seat
60 L4	1965-1968	1887079-2049044	1342-2565	MD135A	-	N.L.A.	N.L.A.	N.L.A.
60 L4	1965-1968	1887079-2049044	1342-2565	MD134A	-	N.L.A.	N.L.A.	N.L.A.
80 L4	1966-1969	2049045-2851423	1346-2770	RBS4394S C 1/RBS	76082	N.L.A.	N.L.A.	N.L.A.
90 L4	1970-1971	2851424-3225967	1351-4263A1	7040082 R 2/2G C	76068	31660	77200	NSS
90 L4	1972	3225868-3226957	1351-4263A2	7041369 R 2/2G C	76068	31660	77200	NSS
110 L4	1963-1966	1537370-2044033	1336-2076	7036543 R 2/2G C	N.L.A.	31660	77200	NSS
120 L4	1964-1968	1666601-2520424	1336-2076	7036543 R 2/2G C	N.L.A.	31660	77200	NSS
120 L4	1969-1972	2520425-3377340	1336-3594A1	7036543 R 2/2G C	N.L.A.	31660	77200	NSS
120 L4	1972-1973	3377341-3770649	1351-4263A3	7041369 R 2/2G C	76068	31660	77200	NSS
120 L4	1974-1975	3770650-4469865	1351-5202A1	7043182 R 2/2G C	76068	31660	77200	NSS
120 L4	1976-1978	4469866-5192048	1351-6065A2	7044182 R 2/2G C	76068	31660	77200	NSS
120 L4	1979-1982	5192049-6229717	1351-7354A1	17059054 R 2/2G C	76068	31660	77200	NSS
120/2.5L L4	1983-1989	6229718-0C853255	1351-8480A2	17081060 R 2/2G C	76068	31660	-	NSS
120/2.5L L4	1983-1989	6229718-0C853255	1389-8490A2	M 2/MERCARB	76086	32180	77230	40750
120/2.5L L4	1983-1989	6229718-0C853255	1389-9350A2	M 2/MERCARB	76086	32180	77230	40750
120/2.5L L4	1983-1989	6229718-0C853255	1389-9562A1	M 2/MERCARB	76086	32180	77230	40750
140 L4	1968-1969	2508261-2816416	1351-3635A1	7036646 R/2G C	76068	31660	77200	NSS
140 L4	1970	2816417-2911439	1351-4032A1	7040080 R/2G C	76068	31660	77200	NSS
140 L4	1970-1973	2911440-3771644	1351-4293A1	7040084 R/2G C	76068	31660	77200	NSS
140 L4	1974-1978	3771645-5157668	1351-5203A1	7043184 R/2G C	76068	31660	77200	NSS
140 L4	1979-1982	5157669-6229717	1351-7355A1	17059052 R/2G C	76068	31660	77200	NSS
140/3.0L L4	1983-1989	6229718-0C856556	1351-8480A2	17081060 R/2G C	76068	31660	-	NSS
140/3.0L L4	1983-1989	6229718-0C856556	1389-8490A2	M 2/MERCARB	76086	32180	77230	40750
140/3.0L L4	1983-1989	6229718-0C856556	1389-9350A2	M 2/MERCARB	76086	32180	77230	40750
140/3.0L L4	1983-1989	6229718-0C856556	1389-9562A1	M 2/MERCARB	76086	32180	77230	40750
3.0L L4	1990	0C856559-0D447414	1389-815396A2	M 2/MERCARB	76086	32180	77230	40740
3.0L L4	1991-1993	0D447415-0D836075	1389-9562A1	M 2/MERCARB	76086	32180	77230	40740
3.0L L4	1993-1995	0D836076-0F603999	1389-815396A2	M 2/MERCARB	76086	32180	77230	40740
3.0LX L4	1990 & Up	0C856559 & Up	1389-815397A2	M 2/MERCARB	76086	32180	77230	40740
165/170/3.7L (4-Cyl.) L4	1987-1989	6916779 & Up	1389-9564A1	M 2/MERCARB	76086	32180	77230	40750
470 L4	1976-1984	4208730-6916778	1376-5990A1	17057132 R/2G C	76068	31660	77230	NSS
470 L4	1983-1984	6218037-6916778	1389-8489A5	M 2/MERCARB	76086	32180	77230	40740
485 L4	1980-1982	5685394-6218036	1376-5990A1	17057132 R 2/G C	76068	31660	77230	NSS
180/190/3.7LX (4-Cyl.) L4	1985-1989	6916779 & Up	1347-9142A2	17083522 R 2/2ME	76150	30380	77220	40760
488 L4	1983-1984	6170297-6916778	1347-8460A3	17081299 R 4/4ME	76150	30380	77220	-
140 (6-Cyl.) L6	1963	1538930-1725960	1338-2161	7025638 R 1/B C	-	N.L.A.	77210	NSS
140 (6-Cyl.) L6	1963	1538930-1725960	1338-2166	7025662 R 1/B	-	N.L.A.	77210	NSS
150 L6	1964-1966	1666495-1823489	1338-2428	7024180 R 1/B C	-	N.L.A.	77210	NSS
150 L6	1964-1966	1666495-1823489	1338-2431	7024181 R 1/B	-	N.L.A.	77210	NSS
150 L6	1964-1966	1823490-1830151	1338-2608	7025183 R 1/B C	-	N.L.A.	77210	NSS
150 L6	1964-1966	1823490-1830151	1338-2609	7025184 R 1/B	-	N.L.A.	77210	NSS
150 L6	1964-1966	1830152-2048046	1338-2633	7025188 R 2/2G C	76068	31660	77200	NSS
160 L6	1967-1968	2048022-2492035	1338-2991	7026088 R 2/2G C	76068	31660	77200	NSS
160 L6	1969	2492036-2770031	1351-3635A1	7036646 R 2/2G C	76068	31660	77200	NSS
165 (6-Cyl.) L6	1970-1972	2770032-3354791	1351-4282A1	7040083 R 2/2G C	76068	31660	77200	NSS
165 (6-Cyl.) L6	1972-1973	3354702-3774864	1351-4871A1	7042183 R 2/2G C	76068	31660	77200	NSS
165 (6-Cyl.) L6	1974-1978	3774865-5178958	1351-5204A1	7043183 R 2/2G C	76068	31660	77200	NSS
165 (6-Cyl.) L6	1979-1981	5178959-5813433	1351-7356A1	17059050 R 2/2G C	76068	31660	77200	NSS

MerCruiser

CARBURETOR REPAIR KITS & FLOATS APPLICATION

Model	Year	Serial No. Range	Original Carb No.	MFG No. Code / Model	Carb. Repair Kit	Base Gasket	Float No.	Needle & Seat
200 (6-Cyl.) L6	1969	2453769-2494935	1347-3237A2	7037082 R 4/4M V	76150	30380	77200	N.L.A.
200 (6-Cyl.) L6	1969	2494936-2712072	1347-3237A4	7037082 R 4/4M V	76150	30380	77200	N.L.A.
185 (229 CID) V6	1993-1994	6330183-6919655	3300-8886A2	17083515 R 4/4M E	76150	30380	77200	40760
175/185/4.3L (262 CID) V6	1985-1987	0A221455-0B527954	3304-9353A2	M 2/MERCARB	76085	32180	77230	40750
175/185/4.3L (262 CID) V6	1985-1992	0A221455-0D714106	3304-9565A1	M 2/MERCARB	76086	32180	77230	40750
175/185/4.3L (262 CID) V6	1992-1993	0D714107-0F000877	3304-9565A7	M 2/MERCARB	76086	32180	77230	40750
175/185/4.3L (262 CID) V6	1993-1995	0F000878-0F601126	3310-806080A2	M 2/MERCARB	76086	32180	77230	40740
175/185/4.3L (262 CID) V6	1996 & Up	0F601127 & Up	3310-807764A1	M 2/MERCARB	76086	32180	77230	40740
205/4.3LX V6	1985-1991	0A331455-0D714369	3304-9354A2	17084516 R 2/2G C	76150	30380	77220	40760
4.3LX V6	1992-1996	0D714370-0F802999	3310-818660A1	-	76086	30380	77240	40780
4.3LXH/LH V6	1996 & Up	0F303114 & Up	3310-807826A1	WEBER	-	30380	77240	40780
190 V8	1963-1964	1564539-1730903	1339-2249	7026358 R 2/2G C	76098	N.L.A.	N.L.A.	NSS
198 MIE / 898 MCM V8	1977	4762210-6218461	1376-6491A1	17057139 R 2/2G C	76106	32180	77230	NSS
198 MIE / 898 MCM V8	1977-1982	4762210-6218461	1376-6491A1	17057139 R 2/2G C	76106	32180	77230	NSS
898/200 V8	1983-1986	6218462-0B525981	1376-8295A 3	17080350 R 2/2G C	76106	32180	77230	NSS
898/200 V8	1983-1986	6218462-0B525981	1389-8488A2	M 2/MERCARB	76086	32180	77230	40750
898/200 V8	1983-1986	6218462-0B525981	1389-0563A1	M 2/MERCARB	76086	32180	77230	40750
200/5.0L V8	1987-1995	0B525982-0F600999	1389-9670A2	M 2/MERCARB	76086	32180	77230	40740
5.0L (Gen+) V8	1988 & Up	0L0157751 & Up	3310-861448A1	M 2/MERCARB	76086	32180	77230	40740
215 MCM/MIE (Ford) V8	1970-1972	2781153-3385720	1356-4066	C9FF9510E H4/4160	76096	32130	N.L.A.	N.L.A.
225 MCM/MIE (Ford) V8	1973-1974	3385721-4166999	1356-5155	D2JL9510C H4/4160	76096	32130	N.L.A.	N.L.A.
888 V8	1971-1977	3108723-4887829	1356-4642	D1JJ95108 H2/2300	76081	30580	77230	N.L.A.
888 V8	1971-1977	3108723-4887829	1376-5659A1	7044185 R2/2G C	76106	32180	N.L.A.	NSS
225 MCM/MIE (GM) V8	1963-1969	1539620-2694014	1337-2103	7025564 R4/4G C	76084	N.L.A.	N.L.A.	NSS
225 MCM/MIE (GM) V8	1963-1969	1539620-2694014	1337-2604	7025756 R4/4G C	76084	N.L.A.	77220	NSS
225 MCM/MIE (GM) V8	1963-1969	1539620-2694014	1347-3353	7037082 R4/4M V	76150	31540	77220	NSS
225 MCM/MIE (GM) V8	1963-1969	1539620-2694014	1347-3237A3	7037082 R4/4M V	76150	31540	77220	NSS
228 V8	1977-1978	4765100-5069430	1347-6427A1	17057282 R4/4M V	76150	30380	77220	NSS
228 TR & MIE V8	1977-1978	4765100-5069430	1347-6438A1	17057283 R4/4M V	76150	30380	77220	NSS
228 V8	1978-1981	5069431-6021783	1347-7361A1	17059292 R4/4M V	76150	30380	77220	NSS
228 V8	1982	6021784-6218461	1347-9296A4	17080565 R4/4M V	76150	30380	77220	40760
228/230/5.0LX V8	1983-1995	6218462-0F600999	1347-9661A3	17080565 R4/4M V	76150	30380	77220	40760
228 MIE V8	1978-1982	5069431-6040745	1347-7364A1	17059291 R4/4M V	76150	30380	77220	NSS
230 MIE V8	1982-1987	6040746-0B788151	1347-8290A1	17080564 R4/4M V	76150	30380	77220	40760
233 MCM & MIE V8	1975-1977	4173000-4465029	1376-5744A1	7044187 R2/2G C	76106	32180	77230	NSS
233 MCM & MIE V8	1975-1977	4465030-4902304	1376-6152A2	17056197 R2/2G C	76106	32180	77230	NSS
250 (350 CID) V8	1977	4768000-4908849	1347-3353	7037082 R4/4M V	76150	31540	77220	NSS
250 (350 CID) V8	1977	4768000-4908849	1347-3237A3	7037082 R4/4M V	76150	31540	77220	NSS
255 MCM/MIE (Ford) V8	1973-1974	3258728-4175499	1356-5169	D 2JL9510E H4/4160	76096	32130	N.L.A.	N.L.A.
255 MIE (GM) V8	1975-1978	4175500-4924564	1347-5732A1	7044291 R4/4M V	76150	30380	77220	NSS
255 MIE (GM) V8	1978	4924565-5195908	1347-7062A1	17057295 R4/4M V	76150	30380	77220	NSS
255 MIE (GM) V8	1979-1980	5195909-5907057	1347-7365A1	17059289 R4/4M V	76150	30380	77220	NSS
260 MIE V8	1980-1986	5907058-0B522505	1347-8289A1	17080562 R4/4M V	76150	30380	77220	40760
260 MIE/5.7 MIE V8	1987-1993	0B522506-0F024999	1347-9662A4	17080561 R4/4M V	76150	30380	77220	40760
5.7 MIE V8	1994	0F025000-0F349299	3310-806761A1	9665S WEBER	76140	30380	77240	40770
5.7 MIE V8	1994	0F025000-0F349299	3310-806761A2	9665S WEBER	76140	30380	77240	40770
5.7 MIE V8	1995	0F349300-0F622099	3310-806761A3	9665S WEBER	76140	30380	77240	40770
5.7 MIE V8	1996-1997	0F622100-0K999999	3310-807262A2	4781S WEBER	76140	30380	77240	40770

MerCruiser

CARBURETOR REPAIR KITS & FLOATS APPLICATION

Model	Year	Serial No. Range	Original Carb No.	MFG No. Code / Model	Carb. Repair Kit	Base Gasket	Float No.	Needle & Seat
5.7 MIE (2BBL) V8	1998 & Up	0L002003 & Up	3310-861245A1	M2/MERCARB	76086	32180	77230	40740
255 V8	1975-1976	4175500-4767999	1347-5732A1	7044291 R4/4M V	76150	30380	77220	NSS
260 V8	1978	4908850-5060805	1347-6492A1	17057298 R4/4M V	76150	30380	77220	NSS
260 V8	1978-1982	5060806-6024393	1347-7362A1	17059288 R4/4M V	76150	30380	77220	NSS
260 V8	1982-1986	6024393-0B525981	1347-8282A4	17080561 R4/4M V	76150	30380	77220	40760
260/5.7L Alpha V8	1987-1993	0B525982-0F000454	1347-9662A4	17080561 R4/4M V	76150	30380	77220	40760
5.7 Alpha V8	1993-1994	0F000455-0F273497	3310-806761A1	9665S WEBER	76150	30380	77240	40770
5.7L Alpha V8	1994-1995	0F273498-0F600999	3310-806761A3	9665S WEBER	76140	30380	77240	40770
5.7 (2 BBL) V8	1996-1997	0F601000-0K999999	3310-807312A1	M 2/MERCARB	76086	32180	77230	40740
5.7 (Gen+) (2 BBL) V8	1998 & Up	0L010037 & Up	3310-861245A1	M 2/MERCARB	76086	32180	77230	40740
5.7LX (4 BBL) V8	1996-1997	0F601000-0K999999	3310-807262A2	9781S WEBER	76140	30380	77240	40770
5.7L Bravo (w/o HR Intake) V8	1987-1991	0B525982-0D617327	1347-9662A4	17080561 R4/4M V	76150	30380	77220	40760
5.7L Bravo (w/ HR Intake) V8	1987-1991	0B525982-0D617327	1347-8289A1	17080561 R4/4M V	76150	30380	77220	40760
5.7L Bravo V8	1992-1995	0D617328-0F600999	3310-806970A1	9770SA WEBER	76170	30380	77240	40770
350 Magnum Alpha V8	1986-1991	0A635178-0D617327	1347-8289A1	17080562 R4/4M V	76150	30380	77220	40760
350 Magnum Alpha V8	1992-1995	0D617328-0F600999	3310-806970A1	9770SA WEBER	76170	30380	77240	40770
350 Magnum Alpha V8	1996-1997	0F601000-0K999999	3310-807262A2	9781S WEBER	76140	30380	77240	40770
5.7 SKI V8	1985-1993	0A338533-0F025099	1347-9415T	17095013 R4/4M V	76150	30380	77220	40760
5.7 SKI V8	1993-1995	0F025100-0F449999	3310-806761A2	9665S WEBER	76140	30380	77240	40770
5.7 SKI V8	1995	0F450000-0F775199	3310-806761A3	9665S WEBER	76140	30380	77240	40770
5.7 SKI (2 BBL) V8	1996-1997	0F775200-0K999999	3310-807312A1	M 2/MERCARB	76086	32180	77230	40740
5.7L SKI (GEN+) (2 BBL) V8	1998 & Up	0L002005 & Up	3310-861245A1	M 2/MERCARB	76086	32180	77230	40740
350 MAG SKI V8	1991-1997	0D505450-0K999999	3310-807262A2	9781S WEBER	76140	30380	77240	40770
350 MAG SKI V8	1997	0K040400-0K999999	3310-860371A1	9781S WEBER	76140	30380	77240	40770
270 MCM/MIE V8	1969-1972	2851074-3385720	1347-4180A1	7029285 R4/4M V	76150	30380	77220	NSS
280 TRS V8	1975	4176250-4176468	1347-4179A2	7040283 R4/4M V	76150	30380	77220	NSS
280 TRS V8	1975-1976	4176469-4770199	1347-5981A1	7044290 R4/4M V	76150	30380	77220	NSS
300 MR/TRS V8	1985-1986	6668677-0B430367	1347-7498A7	17059280 R4/4M V	76150	30380	77220	NSS
325 MCM/MIE V8	1969-1970	2278747-3042730	1347-3342	7027080 R4/4M V	76150	30380	77220	NSS
325 MCM/MIE V8	1971-1972	3042731-3780449	1347-4533A1	7041831 R4/4M V	76150	30380	77220	NSS
325 MCM/MIE V8	1969-1972	2278747-3780449	1347-3689A1	7029280 R4/4M V	76150	30380	77220	NSS
330 MCM V8	1977-1978	4623115-5027230	1347-6493A1	17057287 R4/4M V	76150	30380	77220	NSS
330 MCM V8	1977-1981	5027231-6083144	1347-7363A1	17059290 R4/4M V	76150	30380	77220	NSS
330 MCM V8	1982-1987	6083145-0B816540	1347-8291A3	17080563 R4/4M V	76150	30380	77220	NSS
330 MIE V8	1977-1978	4623115-5226384	1347-6494A1	17057287 R 4/4M V	76150	30380	77220	NSS
330 MIE V8	1979-1980	5226385-5889913	1347-7366A1	17059287 R4/4M V	76150	30380	77220	NSS
340/7.4L MIE V8	1981-1992	5889914-0D715493	1347-8288A1	17080560 R4/4M V	76150	30380	77220	40760
7.4L w/ Hurth V8	1992-1994	0D715494-0F349999	3310-806969A2	9780 WEBER	76140	30380	77240	40770
7.4L MIE w/ Borg. Warner V8	1992-1994	0D715494-0F349999	3310-806969A3	9780 WEBER	76140	30380	77240	40770
7.4L MIE V8	1995-1997	0F350000-0K999999	3310-806969A1	9780 WEBER	76140	30380	77240	40770
7.4L Bravo I/II V8	1988-1991	0B771113-0D603117	1347-8291A3	17080563 R4/4M V	76150	30380	77220	40760
7.4L Bravo I/II V8	1992-1994	0D603118-0F351999	3310-806969A2	9780 WEBER	76140	30380	77240	40770
7.4L Bravo I/II V8	1995-1997	0F352000-0K999999	3310-806969A1	9780 WEBER	76140	30380	77240	40770
7.4L Bravo III V8	1993-1996	0D838819-0F800699	3310-806755A2	9779 WEBER	76140	30380	77240	40770
7.4L Bravo III V8	1996-1997	0F800700-0K999999	3310-806969A1	9780 WEBER	76140	30380	77240	40770
370 V8	1978-1987	4179554-0B714586	1347-7498A2	17059280 R4/4M V	76150	30380	77220	NSS
400 V8	1980-1986	ALL	1347-7498A2	17059280 R4/4M V	76150	30380	77220	NSS
420/425 V8	1987-1993	0A398941-0D937011	13549A4	H4	76110	-	NSS	NSS

MerCruiser

VST O-RING KIT

No. 40040

OEM: 808500



GM EFI

VAPOR SEPARATOR TANK (VST) O-RING KIT APPLICATIONS

Model	Year	GLM No.	Model	Year	GLM No.
262 MAG (TBI)(GEN+)	-	40040	502 EFI (GEN V) GM 502 V8	1993-1995	40040
350 MAG EFI SKI (TBI) GM 350 V8	1994-1996	40040	502 MAG MPI (GEN VI) GM 502 V8	1996	40040
350 MAG MPI SKI GM 350 V8	1995-1996	40040	7.4L MPI MIE (LH) GEN V GM 454 V8	1995-1996	40040
350 MAG ALPHA EFI (GEN+) GM 350 V8	1996	40040	7.4L MPI MIE (LH) GEN VI GM 454 V8	1996-1997	40040
350 MAG BRAVO MPI GM 350 V8	1995	40040	7.4LX BRAVO (MPI)(GEN V) GM 454 V8	1996	40040
350 MAG BRAVO MPI (GEN+) GM 350 V8	1996	40040	7.4LX BRAVO (MPI) (GEN VI) GM 454 V8	1996-1997	40040
454 EFI (GEN V) GM 454 V8	1994-1996	40040	8.2L MIE MPI (LH) GEN VI GM 502 V8	1996-1997	40040
454 EFI (SKI) GEN V GM 454 V8	1995	40040			
454 MAG MPI (SKI) GEN VI GM 454 V8	1996-1997	40040			
454 MAG MPI BRAVO (GEN VI) GM 454 V8	1996-1997	40040			
5.7L ALPHA EFI (TBI) GM 350 V8	1995	40040			
5.7L BRAVO EFI (TBI) GM 350 V8	1995	40040			
5.7L EFI (2 BBL.-TBI) GM 350 V8	1996	40040			
5.7LX BRAVO EFI (GEN+) GM 350 V8	1996	40040			
5.7LX EFI (4 BBL.-TBI) GM 350 V8	1996	40040			

FUEL PUMP GASKETS

No. 31700

OEM: 27-42457



V6

No. 31360

OEM: 27-34213



Chevy V8

No.32750

OEM: 27-34898



305/350

No.31800

OEM: 27-72805



Ford V8



Section 13

Ignition Components

<i>Thunderbolt IV/V Distributors - Complete</i>	150
<i>Thunderbolt IV/V Distributors - Breakdown</i>	150
<i>Thunderbolt IV/V Distributor Caps & Rotors</i>	151
<i>Delco EST Distributor Caps and Rotors</i>	152
<i>Delco EST Module/Sensor/Coils</i>	153
<i>Thunderbolt/Delco EST Parts Application Guide</i>	154-157
<i>Ignition & Oil Filled Coils</i>	158
<i>GLM to OEM (Points, Condensers, Rotors & Caps)</i>	158
<i>Ignition Components - By Distributors</i>	159
<i>Complete Tune-Up Kits - By Distributors</i>	160
<i>Ignition Components</i>	161-162
<i>Ignition Application Guide</i>	163-169

MerCruiser

DISTRIBUTOR ASSEMBLY - THUNDERBOLT IV & V

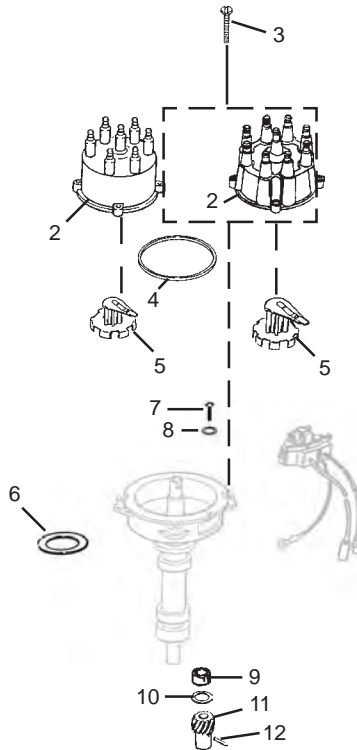
No. 71240

OEM: 805185A37
For GM V6



No. 71250

OEM: 805185A36
For V8 GM



GLM No.	Ref. No.	OEM No.	Description
71240	1	805185A37	Distributor Assy. V6
71250	1	805185A36	Distributor Assy. V8
71500	2	815407A2	Distributor Cap V6
71510	2	805759T2	Distributor Cap V8
22305	3	10-90926	Screw
32060	4	27-805760	Gasket
72890	5	13524A6	Rotor Assy.
72880	5	13524T1	Rotor Assy.
31370	6	27-34486-3	Gasket
22311	7	10-66686	Screw (1")
22312	7	10-72202	Screw (1-1/4")
21491	8	13-69432	Lockwasher
21426	9	23-90915	Bushing
21661	10	12-90931	Washer
19360	11	43-818807	Drive Gear
22195	12	17-47617	Pin

No. 19360
DRIVE GEAR
OEM: 43-818807



No. 31370
GASKET
OEM: 27-34486-3



No. 21426
BUSHING
OEM: 23-90915



No. 22305
SCREW
OEM: 10-90926

No. 22311
SCREW - 1-1/4 Inch
OEM: 10-72202



No. 21661
WASHER
OEM: 12-90931



No. 21491
OEM: 13-69432

No. 22195
PIN
OEM: 17-47617



MerCruiser

THUNDERBOLT IV & V

V6

No. 71790

CAP & ROTOR KIT
OEM: 815407T5



V8

No. 71780

CAP & ROTOR KIT
OEM: 805759T3



No. 71500

CAP
OEM: 815407A2



No. 71510

CAP
OEM: 805759T1



No. 72890

ROTOR
OEM: 13524A6

Kit Contains:

GLM	OEM	ITEM
71070	13524A4	Rotor
71501	11351	Wheel



No. 72880

ROTOR
OEM: 13524T1

Kit Contains:

GLM	OEM	ITEM
71080	13524A3	Rotor
71511	42862	Wheel



MerCruiser

DELCO - LATE STYLE - EST

Delco EST 4-Cyl.

Delco EST 6-Cyl.

Delco EST 8-Cyl.

No. 71830

CAP & ROTOR KIT
OEM: 811635Q2



No. 71820

CAP & ROTOR KIT
OEM: 850484T3



No. 71810

CAP & ROTOR KIT
OEM: 808483Q1



No. 71420

DISTRIBUTOR CAP
OEM: 811635T3



No. 71410

DISTRIBUTOR CAP
OEM: 850484T2



No. 71400

DISTRIBUTOR CAP
OEM: 808483T3



No. 71120

ROTOR
OEM: 811636-1



No. 71110

ROTOR
OEM: 8M0062084



No. 71100

ROTOR
OEM: 8M6001253



MerCruiser

DELCO - LATE STYLE - EST

No. 73190
IGNITION MODULE
OEM: 811637T



For 4-Cyl., V6 & V8
Delco EST Ignition

No. 72130
PICK UP COIL SENSOR
OEM: 811639T



For 4-Cyl., V6 & V8
Delco EST Ignition

No. 72113
E-CORE COIL
OEM: 817378



Delco EST

No. 72114
E-CORE COIL
OEM: 806673T1



Delco EST

MerCruiser

DISTRIBUTOR ASSY COMPONENTS APPLICATION					ELECTRONIC IGNITIONS			
Model	# Cyl.	Ignition	Year	Serial No. Range	Distributor Assy.	Module / Sensor	Pick-up Coil	Pole Piece
110	153 / L4	Delco	1963-1966	1537370-2044033	-	N/A	N/A	N/A
120	153 / L4	Delco	1964-1974	1666601-3825578	-	N/A	N/A	N/A
120/2.5L	153 / L4	Delco	1974-1989	3825579-0C853255	-	N/A	N/A	N/A
140	181 / L4	Delco	1968-1974	2508261-3826282	-	N/A	N/A	N/A
140 / 3.0L	181 / L4	Delco	1974-1989	3826283-0C856558	-	N/A	N/A	N/A
3.0L / LX	181 / L4	Prestolite	1990-1995	0C856559-0F603999	-	N/A	N/A	N/A
3.0L	181 / L4	Delco Digital	1990-1995	0C856559-0F603999	N/A	N/A	N/A	N/A
3.0LX	181 / L4	Delco Digital	1990-1995	0C856559-0F603999	N/A	N/A	N/A	N/A
3.0LX	181 / L4	EST	1990-2001	0C856559 & Up	-	73190	72130	73400
165/3.7L	224 / L4	Delco	1987-1989	0B434940 & Up	-	N/A	N/A	N/A
170	224 / L4	Delco	1985-1986	6916779-0B434940	-	N/A	N/A	N/A
180 / 3.7LX	224 / L4	Delco	1987-1989	0B436391 & Up	-	N/A	N/A	N/A
180 / 3.7LX	224 / L4	Prestolite	1987-1989	0B436391 & Up	-	N/A	N/A	N/A
180 / 3.7LX	224 / L4	Delco	1985-1986	6916779-0B436390	-	N/A	N/A	N/A
470	224 / L4	Delco	1976-1984	4208730-6916778	-	N/A	N/A	N/A
485	224 / L4	Delco	1980-1982	5685394-6218036	-	N/A	N/A	N/A
488	224 / L4	Delco	1983-1984	6170297-6916778	-	N/A	N/A	N/A
140	194 / L6	Delco	1963	1538930-1725960	N.L.A.	N/A	N/A	N/A
150	230 / L6	Delco	1964-1966	1666495-2048046	N.L.A.	N/A	N/A	N/A
160	150 / L6	Delco	1967-1969	2048022-2492926	N.L.A.	N/A	N/A	N/A
160	150 / L6	Delco	1969	2494927-2770031	-	N/A	N/A	N/A
165	250 / L6	Delco	1970	2770032-2771483	-	N/A	N/A	N/A
165	250 / L6	Delco	1971-1981	2771484-5813433	-	N/A	N/A	N/A
200	292 / L6	Delco	1969	2453769-2712072	-	N/A	N/A	N/A
185 (4 bbl.)	229 / V6	Prestolite	1983-1984	6330183-6919655	N/A	N/A	N/A	N/A
175 / 4.3L (2 bbl.)	262 / V6	Thunderbolt IV	1987-1993	0B527955-0F000877	71240	-	N/A	N/A
185 (2 bbl.)	262 / V6	Thunderbolt IV	1985-1987	6919656-0B527954	71240	-	N/A	N/A
205/4.3LX (4 bbl.)	262 / V6	Thunderbolt IV	1985-1993	0A331455-0F001219	71240	-	N/A	N/A
4.3L (2 bbl.)	262 / V6	Thunderbolt IV	1993-1996	0F000878-0F802999	71240	-	N/A	N/A
4.3LX (4 bbl.)	262 / V6	Thunderbolt IV	1993-1996	0F001220-0F802999	71240	-	N/A	N/A
4.3LX / LXH Alpha (Gen+)	262 / V6	Thunderbolt IV	1996-1997	0F803000-0K999999	71240	-	N/A	N/A
4.3LX / LXH Bravo (Gen+)	262 / V6	Thunderbolt IV	1996-1997	0F803000-0K999999	71240	-	N/A	N/A
4.3L / LH Alpha (Gen+)	262 / V6	Thunderbolt IV	1998-2001	0L010044 & Up	71240	-	N/A	N/A
4.3L / LH Bravo (Gen+)	262 / V6	Thunderbolt IV	1998-2001	0L010044 & Up	71240	-	N/A	N/A
262 Mag. (TBI) (Gen+)	262 / V6	Delco	1996	0F803800-0F999999	-	73190	72130	73410
262 Mag. (TBI) (Gen+)	262 / V6	Delco	1997	0K0015121-0K999999	-	73190	72130	73410
4.3L EFI (Gen+) (TBI)	262 / V6	Delco	1998	0L012009-0L359999	-	73190	72130	73410
4.3L EFI (Gen+) (TBI)	262 / V6	Mercury - HEI	1999-2001	0L360000 & Up	71240	73120	N/A	N/A
190 (GM 283)	283 / V8	Delco	1963-1964	1564539-1730903	N.L.A.	N/A	N/A	N/A
215 MCM & MIE (Ford)	302 / V8	Autolite	1970-1972	2781153-3563181	N.L.A.	N/A	N/A	N/A
215 MCM & MIE (Ford)	302 / V8	Mallory	1970-1972	2781153-3563181	N.L.A.	N/A	N/A	N/A
225 MCM & MIE (Ford)	302 / V8	Autolite	1973-1974	3385721-4166999	N.L.A.	N/A	N/A	N/A
225 MCM & MIE (Ford)	302 / V8	Mallory	1973-1974	3385721-4166999	N.L.A.	N/A	N/A	N/A
225 MCM & MIE (Ford)	302 / V8	Mercury	1973-1974	3385721-4166999	N.L.A.	N/A	N/A	N/A
888 (Ford)	302 / V8	Mercury	1971-1977	3108723-4887829	N.L.A.	N/A	N/A	N/A
888 (Ford)	302 / V8	Prestolite	1971-1977	3108723-4887829	N.L.A.	N/A	N/A	N/A
888 (Ford)	302 / V8	Mallory	1971-1977	3108723-4887829	N.L.A.	N/A	N/A	N/A
888 (Ford)	302 / V8	Autolite	1971-1977	3108723-4887829	N.L.A.	N/A	N/A	N/A
898 / 198 MCM & MIE	305 / V8	Mallory	1977-1982	4762210-6218461	-	N/A	N/A	N/A
898 / 198	305 / V8	Thunderbolt IV	1983-1984	6218462-6899057	71250	-	N/A	N/A
200 / 5.0L	305 / V8	Thunderbolt IV	1985-1986	6899058-0B525981	71250	-	N/A	N/A
200 / 5.0L	305 / V8	Thunderbolt IV (2)	1987-1995	0B525982-0F600999	71250	-	N/A	N/A
200 / 5.0L	305 / V8	Thunderbolt IV (1)	1987-1995	0B525982-0F600999	71250	-	N/A	N/A
228 MCM & MIE	305 / V8	Mallory	1977-1982	4765100-6218461	-	N/A	N/A	N/A
228	305 / V8	Thunderbolt IV	1983-1984	6218462-6899268%	71250	-	N/A	N/A
230 / 5.0LX	305 / V8	Thunderbolt IV	1985-1986	6899269-0B525981	71250	-	N/A	N/A
230 / 5.0LX	305 / V8	Thunderbolt IV (2)	1987-1995	0B525982-0F600999	71250	-	N/A	N/A
230 / 5.0LX	305 / V8	Thunderbolt IV (2)	1987-1995	0B525982-0F600999	71250	-	N/A	N/A
5.0L Alpha (Gen+)	305 / V8	Thunderbolt V	1998-2001	0L015751 & Up	71250	-	N/A	N/A
5.0L Bravo (Gen+)	305 / V8	Thunderbolt V	1988-2001	0L015751 & Up	71250	-	N/A	N/A
5.0L EFI (Gen+)	305 / V8	Delco	1998	0L012052-0L331630	-	73190	72130	73400
5.0L EFI (Gen+)	305 / V8	Delco	1998	0L0331651-0L339999	-	73190	72130	73400
5.0L EFI (Gen+)	305 / V8	Mercury - HEI	1999-2001	0L331631-0L331650	71250	-	N/A	N/A
5.0L EFI (Gen+)	305 / V8	Mercury - HEI	1999-2001	0L340000 & Up	71250	-	N/A	N/A



MerCruiser

DISTRIBUTOR ASSY COMPONENTS APPLICATION

ELECTRONIC IGNITIONS

Model	# Cyl.	Ignition	Year	Serial No. Range	Distributor Assy.	Module / Sensor	Pick-up Coil	Pole Piece
230/5.0L MIE (LH)	305 / V8	Thunderbolt IV	1981-1986	5907058-0B522505	71250	-	N/A	N/A
230/5.0L MIE (RH)	305 / V8	Thunderbolt IV	1981-1986	5907058-0B522505	71250	-	N/A	N/A
230/5.0L MIE (LH)	305 / V8	Thunderbolt IV	1987	0B522506-0B788151	71250	-	N/A	N/A
230/5.0L MIE (RH)	305 / V8	Thunderbolt IV	1987	0B522506-0B788151	71250	-	N/A	N/A
225 (GM)	327 / V8	Delco	1963-1969	1539620-2694014	N.L.A.	N/A	N/A	N/A
225 MIE (GM)	327 / V8	Thunderbolt	1968	2278647-2694014	N.L.A.	-	N/A	N/A
250 MCM & MIE	327 / V8	Thunderbolt	1968-69	2314301-2639854	N.L.A.	-	N/A	N/A
250	350 / V8	Mallory	1977	4768000-4908849	-	N/A	N/A	N/A
255 (GM)	350 / V8	Mallory	1975-1976	3258728-4501254	-	N/A	N/A	N/A
255 (GM)	350 / V8	Mercury	1976	4498701-4767999	-	N/A	N/A	N/A
260	350 / V8	Mallory	1978-1982	4908850-6218461	-	N/A	N/A	N/A
260/5.7L	350 / V8	Thunderbolt IV	1982-1986	6218462-0B525981	71250	-	N/A	N/A
260/5.7 Alpha	350 / V8	Thunderbolt IV (2)	1987-1994	0B525982-0F273497	71250	-	N/A	N/A
260/5.7 Alpha	350 / V8	Thunderbolt IV (1)	1987-1994	0B525982-0F273497	71250	-	N/A	N/A
260/5.7 Alpha	350 / V8	Thunderbolt IV (2)	1994-1995	0F273498-0F600999	71250	-	N/A	N/A
260/5.7 Alpha	350 / V8	Thunderbolt IV (1)	1994-1995	0F273498-0F600999	71250	-	N/A	N/A
260/5.7 Bravo	350 / V8	Thunderbolt IV (2)	1987-1991	0B525982-0D617327	71250	-	N/A	N/A
260/5.7 Bravo	350 / V8	Thunderbolt IV (1)	1987-1991	0B525982-0D617327	71250	-	N/A	N/A
260/5.7 Bravo	350 / V8	Thunderbolt IV (2)	1992-1993	0D617328-0F353524	71250	-	N/A	N/A
260/5.7 Bravo	350 / V8	Thunderbolt IV (1)	1992-1993	0D617328-0F353524	71250	-	N/A	N/A
5.7L Alpha (2bbl.)	350 / V8	Thunderbolt V	1996-1997	0F601000-0K999999	71250	-	N/A	N/A
5.7LX Alpha (4 bbl.)	350 / V8	Thunderbolt V	1996-1997	0F601000-0K999999	71250	-	N/A	N/A
5.7L Alpha (Gen+)	350 / V8	Thunderbolt V	1998-2001	0L010037 & Up	71250	-	N/A	N/A
5.7 Bravo	350 / V8	Thunderbolt V	1994-1995	0F353525-0F600999	71250	-	N/A	N/A
5.7L Bravo (2 bbl.)	350 / V8	Thunderbolt V	1996-1997	0F601000-0K999999	71250	-	N/A	N/A
5.7LX Bravo (4 bbl.)	350 / V8	Thunderbolt V	1996-1997	0F601000-0K999999	71250	-	N/A	N/A
5.7L Bravo (Gen+)	350 / V8	Thunderbolt V	1998-2001	0L010037 & Up	71250	-	N/A	N/A
5.7L EFI	350 / V8	Delco	1995	0F225560-0F752399	-	73190	72130	73400
5.7L EFI	350 / V8	Delco	1996-1997	0F752400-0K999999	-	73190	72130	73400
5.7L EFI (Gen+)	350 / V8	Delco	1998	0L010035-0L325976	-	73190	72130	73400
5.7L EFI (Gen+)	350 / V8	Delco	1998	0L326000-0L331598	-	73190	72130	73400
5.7L EFI (Gen+)	350 / V8	Delco	1998	0L331992-0L335715	-	73190	72130	73400
5.7L EFI (Gen+)	350 / V8	Delco	1998	0L336000-0L339999	-	73190	72130	73400
5.7L EFI (Gen+)	350 / V8	Mercury - HEI	1999	0L325977-0L325999	71250	-	N/A	N/A
5.7L EFI (Gen+)	350 / V8	Mercury - HEI	1999	0L331599-0L331991	71250	-	N/A	N/A
5.7L EFI (Gen+)	350 / V8	Mercury - HEI	1999	0L335716-0L335999	71250	-	N/A	N/A
5.7L EFI (Gen+)	350 / V8	Mercury - HEI	1999-2001	0L340000 & Up	71250	-	N/A	N/A
5.7LX EFI	350 / V8	Delco	1996-1997	0F752400-0K999999	-	73190	72130	73400
5.7LX Bravo EFI (Gen+)	350 / V8	Delco	1996	0F800300-0K001508	-	73190	72130	73400
5.7LX Bravo EFI (Gen+)	350 / V8	Delco	1997	0K001509-0K999999	-	73190	72130	73400
260/5.7L MIE (LH)	350 / V8	Thunderbolt IV	1981-1986	5907058-0B522505	71250	-	N/A	N/A
260/5.7L MIE (RH)	350 / V8	Thunderbolt IV	1981-1986	5907058-0B522505	71250	-	N/A	N/A
260/5.7L MIE (LH)	350 / V8	Thunderbolt IV	1987-1993	0B522506-0F024999	71250	-	N/A	N/A
260/5.7L MIE (RH)	350 / V8	Thunderbolt IV	1987-1993	0B522506-0F024999	71250	-	N/A	N/A
5.7L MIE	350 / V8	Thunderbolt IV (2)	1993-1995	0F025000-0F622099	71250	-	N/A	N/A
5.7L MIE	350 / V8	Thunderbolt IV (2)	1993-1995	0F025000-0F622099	71250	-	N/A	N/A
5.7L MIE	350 / V8	Thunderbolt IV	1995	0F622151-0F746099	71250	-	N/A	N/A
5.7L MIE	350 / V8	Thunderbolt IV	1996	0F622100-0F622150	71250	-	N/A	N/A
5.7L MIE	350 / V8	Thunderbolt IV	1996-1997	0F746100-0K999999	71250	-	N/A	N/A
5.7L MIE (Gen+)	350 / V8	Thunderbolt IV	1998-2001	0L002003 & Up	71250	-	N/A	N/A
5.7L EFI MIE (Gen+)	350 / V8	Delco	1997	0K040300-0K999999	-	73190	72130	73400
5.7L Ski	350 / V8	Prestolite	1985-1995	0A338533-0F775199	-	N/A	N/A	N/A
5.7L Ski	350 / V8	Mallory	1985-1995	0A338533-0F775199	-	N/A	N/A	N/A
5.7L Ski	350 / V8	Thunderbolt IV (2)	1987-1995	0B514627-0F775199	71250	-	N/A	N/A
5.7L Ski	350 / V8	Thunderbolt IV (1)	1987-1995	0B514627-0F775199	71250	-	N/A	N/A
5.7L Ski	350 / V8	Thunderbolt IV	1996-1997	0F775200-0K999999	71250	-	N/A	N/A
5.7L Ski	350 / V8	Thunderbolt IV	1998-2001	0L002005 & Up	71250	-	N/A	N/A
350 Mag Alpha	350 / V8	Thunderbolt IV	1986-1987	0A635178-0B525981	71250	-	N/A	N/A
350 Mag Alpha	350 / V8	Thunderbolt IV (2)	1987-1991	0B525982-0D617327	71250	-	N/A	N/A
350 Mag Alpha	350 / V8	Thunderbolt IV (1)	1987-1991	0B525982-0D617327	71250	-	N/A	N/A
350 Mag Alpha	350 / V8	Thunderbolt IV (2)	1992-1994	0D617328-0F353690	71250	-	N/A	N/A
350 Mag Alpha	350 / V8	Thunderbolt IV (1)	1992-1994	0D617328-0F353690	71250	-	N/A	N/A
350 Mag Alpha	350 / V8	Thunderbolt	1995-1997	0F353691-0F600999	71250	-	N/A	N/A
350 Mag Alpha	350 / V8	Thunderbolt IV	1996-1997	0F601000-0K999999	71250	-	N/A	N/A

MerCruiser

DISTRIBUTOR ASSY COMPONENTS APPLICATION ELECTRONIC IGNITIONS								
Model	# Cyl.	Ignition	Year	Serial No. Range	Distributor Assy.	Module / Sensor	Pick-up Coil	Pole Piece
350 Mag. Alpha EFI (Gen+)	350 / V8	Delco	1996	0F800300-0K001508	-	73190	72130	73400
350 Mag. Alpha EFI (Gen+)	350 / V8	Delco	1997	0K001509-0K999999	-	73190	72130	73400
350 Mag. Bravo MPI	350 / V8	Delco	1995	0F415189-0F601999	-	73190	72130	73400
350 Mag. Bravo MPI (Gen+)	350 / V8	Delco	1996	0F602000-0K001500	-	73190	72130	73400
350 Mag. Bravo MPI (Gen+)	350 / V8	Delco	1997	0F001501-0K999999	-	73190	72130	73400
350 Mag. MPI (Gen+)	350 / V8	Delco	1998	0L010019-0L325952	-	73190	72130	73400
350 Mag. MPI (Gen+)	350 / V8	Mercury - HEI	1999-2001	0L325953 & Up	71250	-	N/A	N/A
350 Mag. MPI MIE (Gen+)	350 / V8	Delco	1998-2001	0L002008-0L302199	-	73190	72130	73400
350 Mag. MPI MIE (Gen+)	350 / V8	Mercury - HEI	1998-2001	0L302200 & Up	71250	-	N/A	N/A
350 Mag. Horizon MIE	350 / V8	Mercury - HEI	1999-2001	0L304700 & Up	71250	-	N/A	N/A
350 Mag. Ski	350 / V8	Thunderbolt IV (2)	1991-1996	0D505450-0K040399	71250	-	N/A	N/A
350 Mag. Ski	350 / V8	Thunderbolt IV (1)	1991-1996	0D505450-0K040399	71250	-	N/A	N/A
350 Mag. Ski	350 / V8	Thunderbolt V	1991-1997	0D505450-0K040399	71250	-	N/A	N/A
350 Mag. EFI Ski	350 / V8	Delco	1994-1996	0F215561-0F820706	-	73190	72130	73400
350 Mag. EFI Ski	350 / V8	Delco	1994-1996	0F215561-0F820706	-	73190	72130	73400
350 Mag. EFI Ski (Gen+)	350 / V8	Delco	1996	0F820707-0K040005	-	73190	72130	73400
350 Mag. EFI Ski (Gen+)	350 / V8	Delco	1997	0K040006-0K999999	-	73190	72130	73400
350 Mag. MPI Ski	350 / V8	Delco	1995-1996	0F350583-0F799999	-	73190	72130	73400
350 Mag. MPI Ski	350 / V8	Delco	1995-1996	0F350583-0F799999	-	73190	72130	73400
350 Mag. MPI Ski (Gen+)	350 / V8	Delco	1998	0L002600-0L304599	-	73190	72130	73400
350 Mag. MPI Ski (Gen+)	350 / V8	Mercury - HEI	1999-2001	0L304600 & Up	71250	-	N/A	N/A
Black Scorpion Ski (Gen+)	350 / V8	Delco	1996	0F800000-0K040000	-	73190	72130	73400
Black Scorpion Ski (Gen+)	350 / V8	Delco	1997-1998	0K040001-0K999999	-	73190	72130	73400
Black Scorpion Ski (Gen+)	350 / V8	Delco	1999-2001	0L002700 & Up	-	73190	72130	73400
270 MCM & MIE	350 / V8	Thunderbolt	1969-1972	2851074-3385720	N.L.A.	-	N/A	N/A
280 TRS	350 / V8	Mercury	1975	4176250-4499390	-	N/A	N/A	N/A
280 TRS	350 / V8	Mallory	1976	4499391-4770199	-	N/A	N/A	N/A
300	350 / V8	Thunderbolt IV	1985-1986	6668677-0B430367	71250	-	N/A	N/A
320 EFI	350 / V8	Thunderbolt IV	1987-1989	0A543604-0C622418	71250	-	N/A	N/A
233 MCM & MIE (Ford)	351 / V8	Mercury	1975-1977	4173000-4902304	N.L.A.	N/A	N/A	N/A
233 MCM & MIE (Ford)	351 / V8	Prestolite (3)	1975-1977	4173000-4902304	N.L.A.	N/A	N/A	N/A
233 MCM & MIE (Ford)	351 / V8	Prestolite (4)	1975-1977	4173000-4902304	N.L.A.	N/A	N/A	N/A
255 MIE & MCM (Ford)	351 / V8	Mallory	1973-1980	3258728-5907057	N.L.A.	N/A	N/A	N/A
255 MIE & MCM (Ford)	351 / V8	Mercury	1973-1980	3258728-5907057	N.L.A.	N/A	N/A	N/A
MX 6.2L MPI	377 / V8	Mercury - HEI	2000-2001	0L680003 & Up	71250	-	N/A	N/A
377 Scorpion MCM	377 / V8	Delco	1999-2000	0L416146 & Up	-	73190	72130	73400
377 Scorpion Ski	377 / V8	Delco	1997-1998	0K000656 & Up	-	73190	72130	73400
325 MCM & MIE	427 / V8	Thunderbolt	1969-1971	2278747-3469127	N.L.A.	-	N/A	N/A
325 MCM & MIE	427 / V8	Thunderbolt	1972-1974	3469128 & Up	N.L.A.	-	N/A	N/A
330 MCM & MIE	454 / V8	Mallory	1977-1981	4623115-6083144	-	N/A	N/A	N/A
330 MCM & MIE	454 / V8	Thunderbolt	1977-1981	4623115-6083144	N.L.A.	N.L.A.	N/A	N/A
330	454 / V8	Thunderbolt IV	1982-1987	6083145-0B816540	71250	-	N/A	N/A
7.4L Bravo	454 / V8	Thunderbolt IV	1988-1991	0B771113-0D603117	71250	73110	N/A	N/A
7.4L Bravo	454 / V8	Thunderbolt IV (2)	1992-1997	0D603118-0K999999	71250	-	N/A	N/A
7.4 Bravo I/II	454 / V8	Thunderbolt IV (1)	1992-1997	0D603118-0K999999	71250	-	N/A	N/A
7.4L Bravo III	454 / V8	Thunderbolt IV	1992-1997	0D683118-0K999999	71250	-	N/A	N/A
7.4L Bravo III	454 / V8	Thunderbolt V	1992-1996	0D603118-0F800699	71250	-	N/A	N/A
7.4L Bravo III	454 / V8	Thunderbolt V	1996-1997	0F800700-0K999999	71250	-	N/A	N/A
7.4LX Bravo EFI	454 / V8	Delco	1996-1997	0F820000-0K999999	-	73190	72130	73400
7.4LX Bravo MPI	454 / V8	Delco	1996	0F602010-0F801999	-	73190	72130	73400
7.4LX Bravo MPI	454 / V8	Delco	1996	0F820000-0K147349	-	73190	72130	73400
7.4LX Bravo MPI	454 / V8	Delco	1997	0K147350-0K999999	-	73190	72130	73400
7.4L MPI (L29)	454 / V8	Delco	1998	0L010003-0L085005	-	73190	72130	73400
7.4L MPI (L29)	454 / V8	Delco	1998-2001	0L085006 & Up	-	73190	72130	73400
340/7.4L MIE	454 / V8	Thunderbolt IV	1981-1992	5889914-0D715493	71250	-	N/A	N/A
350 MIE	454 / V8	Thunderbolt	1974-1976	3780450-4623109	N.L.A.	N.L.A.	N/A	N/A
7.4L MIE	454 / V8	Thunderbolt IV (2)	1992-1996	0D715494-0F820141	71250	-	N/A	N/A
7.4L MIE	454 / V8	Thunderbolt IV (1)	1992-1996	0D715494-0F820141	71250	-	N/A	N/A
7.4L MIE	454 / V8	Thunderbolt V	1992-1996	0D715494-0K999999	71250	-	N/A	N/A
7.4L TBI MIE	454 / V8	Delco	1996-1997	0F874815-0K999999	-	73190	72130	73400
7.4L MPI MIE	454 / V8	Delco	1995-1996	0F563052-0F820103	-	73190	72130	73400
7.4L MPI MIE	454 / V8	Delco	1996	0F820104-0K146534	-	73190	72130	73400
7.4L MPI MIE	454 / V8	Delco	1997	0K146535-0K999999	-	73190	72130	73400
7.4L MPI MIE (L29)	454 / V8	Delco	1998	0L002006-0L086006	-	73190	72130	73400



MerCruiser

IGNITION & OIL FILLED COILS

No. 72122

IGNITION COIL
OEM: 392-881732



8.1L
(SN# OM315052 & Below)

No. 72110

OIL FILLED COIL
OEM: 392-806529A1



Used with Points Style Ignition
and Resistor Wire
Use With External Resistor

No. 72115

OIL FILLED COIL
OEM: 392-805570A2



Used with Thunderbolt IV
and Thunderbolt V
Use Without External Resistor

IMPORTANT INFORMATION

MerCruiser installs various makes of ignition distributors into the engines it sells.

These are: Delco Marine, Prestolite, Mallory, and MerCruiser Thunderbolt.

It is the customers' responsibility to know what distributor is in the boat being serviced.

Note:

All 4 & 6-Cyl. Inline Engines use Delco Distributors.

All V6 Engines with Breaker Points use Prestolite Distributors.

GLM TO OEM INTERCHANGE (POINTS, CONDENSERS, ROTORS & CAPS)

Points			Condensers		
Description	GLM No.	OEM No.	Description	GLM No.	OEM No.
Prestolite 1-42V	70010	392-6325	Prestolite 2-96	70510	392-6324
Delco 4 & 6 D108	70020	34235	Delco 4 & 6 D 204	70530	33662
Delco V8	70030	33700	Delco V8	70580	391-898253001
Mallory 25042	70060	391-5090	Mallory	70580	391-5092
Prestolite	70040	898253007	Prestolite	70540	81-64851
Rotors			Caps		
Description	GLM No.	OEM No.	Description	GLM No.	OEM No.
Delco 4 & 6 D423	71020	58217	MerCruiser V6	71500	13753A2
Delco V8	71010	33707	MerCruiser V8	71510	16457A4
Mallory 309	71040	391-7057	Delco 6	71530	33765
Prestolite 4-101	71060	392-0080	Delco 4	71540	393-9459
MerCruiser V6	72890	13524A6	Delco V8	71520	33708
MerCruiser V8	72880	13524T1	Prestolite V8 3-142	71570	293-6318
Prestolite	71030	65864	Mallory V8	71590	391-5075T1
			Prestolite V6 3-149	71600	392-9086
			Prestolite	71550	393-4988T2

MerCruiser

IGNITION COMPONENTS - BY DISTRIBUTORS				
Caps	Rotors	Points	Condensers	Tune-Up Kits
Delco				
No. 71540 OEM: 393-9459  4-Cyl.	No. 71020 OEM: 58217  4-Cyl.	No. 70020 OEM: 34235  4-Cyl.	No. 70530 OEM: 33662  4-Cyl.	No. 72610 OEM: 34235Q1  For Both 4 & 6-Cyl.
No. 71530 OEM: 33765  6-Cyl.	No. 71020 OEM: 58217  6-Cyl.	No. 70020 OEM: 34235  6-Cyl.	No. 70530 OEM: 33662  6-Cyl.	
No. 71520 OEM: 33708  V8	No. 71010 OEM: 33707  V8	No. 70030 OEM: 33700  V8	No. 70580 OEM: 391-898253001  V8	No. 72630 OEM: 801766  V8
Mallory				
No. 71590 OEM: 391-5075T1  V8	No. 71040 OEM: 391-7057  V8	No. 70060 OEM: 391-5090  V8	No. 70580 OEM: 391-5092  V8	No. 72620 OEM: 391-5090T1  V8
Prestolite				
No. 71600 OEM: 392-9086  V6	No. 71060 OEM: 392-0080  V6	No. 70010 OEM: 392-6325  V6	No. 70510 OEM: 392-6324  V6	No. 72650 OEM: 392-6324T1  For Both V6 & V8
No. 71570 OEM: 293-6318  V8	No. 71060 OEM: 392-0080  V8	No. 70010 OEM: 392-6325  V8	No. 70510 OEM: 392-6324  V8	
No. 71550 OEM: 393-4988T2  V8	No. 71030 OEM: 65864  V8	No. 70040 OEM: 898253007  V8	No. 70540 OEM: 81-64851  V8	No. 72640 OEM: 801768  V8

MerCruiser

COMPLETE TUNE-UP KITS - BY DISTRIBUTORS

Delco

No. 71720

OEM: N/A



Inline 4-Cyl.

No. 71710

OEM: N/A



Inline 6-Cyl.

No. 71700

OEM: N/A



V8

Prestolite

No. 71750

OEM: N/A



V6

No. 71740

OEM: N/A



V8

No. 71770

OEM: N/A



V8

Mallory

No. 71760

OEM: N/A



V8

Prestolite Cap & Rotor Kit

No. 71840

OEM: 393-4988T1



V8

MerCruiser

IGNITION COMPONENTS

Distributor Caps

No. 71540

OEM: 393-9459T1



Delco 4-Cyl.

No. 71530

OEM: 33765T



Delco 6-Cyl.

No. 71520

OEM: 33708



Delco V8

No. 71600

OEM: 392-9086T



Prestolite V6

No. 71570

OEM: 392-6318T



Prestolite V8

No. 71550

OEM: 393-4988T2



Prestolite V8

No. 71590

OEM: 391-5075T1



Mallory V8

Rotors

No. 71020

OEM: 58217



Delco 4 & 6-Cyl.

No. 71010

OEM: 33707



Delco V8

No. 71060

OEM: 392-9089T



Presolite V6 & V8

No. 71030

OEM: 65864



Presolite V8

No. 71040

OEM 8M6001224



Mallory V8

MerCruiser

IGNITION COMPONENTS

Points

No. 70020

OEM: 34235T



Delco 4 & 6-Cyl.

No. 70030

OEM: 33700



Delco V8

No. 70010

OEM: 8M6001219



Prestolite

No. 70040

OEM: 898253007



Prestolite V8

No. 70060

OEM: 8M6001250



Mallory

Condensers

No. 70530

OEM: 33662



Delco 4 & 6-Cyl.

No. 70580

OEM: 391-898253001



Delco V8

No. 70510

OEM: 8M6001249



Prestolite

No. 70540

OEM: 81-64851



Prestolite V8

No. 70580

OEM: 8M6001217



Mallory

Tune-Up Kits

No. 72610

OEM: 34235Q1

Kit Contains:

GLM	OEM	ITEM
70020	34235	Point
70530	33662	Condenser
71020	58217	Rotor



Delco 4 & 6-Cyl.

No. 72630

OEM: 801766

Kit Contains:

GLM	OEM	ITEM
70030	33700	Point
70580	391-898253001	Condenser
71010	33707	Rotor



Delco V8

No. 72650

OEM: 392-6324T1

Kit Contains:

GLM	OEM	ITEM
70010	392-6325	Point
70510	392-6324	Condenser
71060	392-9089T	Rotor



Prestolite V6 & V8

No. 72640

OEM: 801768

Kit Contains:

GLM	OEM	ITEM
70040	898253007	Point
70540	81-64851	Condenser
71030	65864	Rotor



Prestolite V8

No. 72620

OEM: 391-5090T1

Kit Contains:

GLM	OEM	ITEM
70060	391-5090	Point
70580	391-5092	Condenser
71040	391-7057	Rotor



Mallory

MerCruiser

IGNITION APPLICATION

Model	# Cyl.	Ignition	Year	Serial No. Range	Ignition Coil	Cap	Rotor-Cap Kit
110	L4	Delco	1963-1966	1537370-2044033	72110	71540	N/A
120	L4	Delco	1964-1974	1666601-3825578	72110	71540	N/A
120/2.5L	L4	Delco	1974-1989	3825579-0C853255	72110	71540	N/A
140	L4	Delco	1968-1974	2508261-3826282	72110	71540	N/A
140/3.0L	L4	Delco	1974-1989	3826283-0C856558	72110	71540	N/A
3.0L/LX	L4	Prestolite	1990-1995	0C856559-0F603999	72110	-	N/A
3.0L	L4	Delco Digital	1990-1995	0C856559-0F603999	-	N/A	N/A
3.0LX	L4	Delco Digital	1990-1995	0C856559-0F603999	-	N/A	N/A
3.0L/LX	L4	EST	1990-1998	0C856559 & Up	-	71420	71830
165/3.7L	L4	Delco	1987-1989	0B434940 & Up	72110	71540	N/A
170	L4	Delco	1985-1986	6916779-0B434940	72110	71540	N/A
180/3.7LX	L4	Delco	1987-1989	0B436391 & Up	72110	71540	N/A
180/3.7LX	L4	Prestolite	1987-1989	0B436391 & Up	72110	-	N/A
190	L4	Delco	1985-1986	6916779-0B436390	72110	71540	N/A
470	L4	Delco	1976-1984	4208730-6916778	72110	71540	N/A
485	L4	Delco	1980-1982	5685394-6218036	72110	71540	N/A
488	L4	Delco	1983-1984	6170297-6916778	72110	71540	N/A
All Prestolite	L4	Replacement 4-Cyl.	All	All	72110	-	N/A
140	L6	Delco	1963	1538930-1725960	N.L.A.	71530	N/A
150	L6	Delco	1964-1966	1666495-2048046	N.L.A.	71530	N/A
160	L6	Delco	1967-1969	2048022-2494926	72110	71530	N/A
160	L6	Delco	1969	2492927-2770031	72110	71530	N/A
165	L6	Delco	1970	2770032-2771483	72110	71530	N/A
165	L6	Delco	1971-1981	2771484-5813433	72110	71530	N/A
200	L6	Delco	1969	2453769-2712072	72110	71530	N/A
All Prestolite	L6	Replacement 6-Cyl.	All	All	72110	71600	N/A
185 (4 bbl.) (3.8L)	V6	Prestolite	1983-1984	6330183-6919655	72110	71600	N/A
175/4.3L (2 bbl.)	V6	Thunderbolt IV	1987-1993	0B527955-0F000877	72115	71500	71790
185 (2 bbl.) (4.3L)	V6	Thunderbolt IV	1985-1987	6919656-0B527954	72115	71500	71790
205/4.3LX (4 bbl.)	V6	Thunderbolt IV	1985-1993	0A331455-0F001219	72115	71500	71790
262 Mag (TBI) (Gen+)	V6	Delco	1996	0F803800-0F999999	-	71410	71820
262 Mag (TBI) (Gen+)	V6	Delco	1997	0K0015121-0K999999	-	71410	71820
4.3L (2 bbl.)	V6	Thunderbolt IV	1993-1996	0F000878-0F802999	72115	71500	71790
4.3LX (4 bbl.)	V6	Thunderbolt IV	1993-1996	0F001220-0F802999	72115	71500	71790
4.3LX/LXH Alpha (Gen+)	V6	Thunderbolt IV	1996-1997	0F803000-0K999999	72115	71500	71790
4.3LX/LXH Bravo (Gen+)	V6	Thunderbolt IV	1996-1997	0F803000-0K999999	72115	71500	71790
4.3L/LH Alpha (Gen+)	V6	Thunderbolt IV	1998 & Up	0L010044 & Up	72115	71500	71790
4.3L/LH Bravo (Gen+)	V6	Thunderbolt IV	1998 & Up	0L010044 & Up	72115	71500	71790
4.3L EFI (Gen+) (TBI)	V6	Delco	1998 & Up	0L012009 & Up	-	71410	71820
190 (GM 283)	V8	Delco	1963-1964	1564539-1730903	72115	N.L.A.	N/A
215 MCM & MIE (Ford 302)	V8	Mallory	1970-1972	2781153-3463181	72110	71590	N/A
225 MCM & MIE (Ford 302)	V8	Mallory	1973-1974	3385721-4166999	72110	71590	N/A
225 MCM & MIE (Ford 302)	V8	Mercury	1973-1974	3385721-4166999	72110	71550	N/A
888 (Ford 302)	V8	Prestolite	1971-1977	3108723-4887829	72110	71570	N/A
888 (Ford 302)	V8	Mallory	1971-1977	3108723-4887829	72110	71590	N/A

MerCruiser

IGNITION APPLICATION

Model	# Cyl.	Ignition	Year	Serial No. Range	Ignition Coil	Cap	Rotor-Cap Kit
225 (GM 327)	V8	Delco	1963-1969	1539620-2694014	72110	N.L.A.	N/A
228 MCM & MIE	V8	Mallory	1977-1982	4765100-6218461	72110	71590	N/A
898/198 MCM & MIE	V8	Mallory	1977-1982	4762210-6218461	72110	71590	N/A
898/198 (GM 305)	V8	Thunderbolt IV	1983-1984	6218462-6899057	72115	71510	71780
200/5.0L (GM 305)	V8	Thunderbolt IV	1985-1986	6899058-0B525981	72115	71510	71780
200/5.0L (GM 305)	V8	Thunderbolt IV	1987-1995	0B525982-0F600999	72115	71510	71780
225 MIE (GM 327)	V8	Thunderbolt	1968	2278647-2694014	-	71550	71840
228	V8	Thunderbolt IV	1987-1995	6218462-6899268	72115	71510	71780
230/5.0L MIE (LH)	V8	Thunderbolt IV	1981-1986	5907058-0B522505	72115	71510	71780
230/5.0L MIE (RH)	V8	Thunderbolt IV	1981-1986	5907058-0B522505	72115	71510	71780
230/5.0L MIE (LH)	V8	Thunderbolt IV	1987	0B522506-0B788151	72115	71510	71780
230/5.0L MIE (RH)	V8	Thunderbolt IV	1987	0B522506-0B788151	72115	71510	71780
230/5.0LX	V8	Thunderbolt IV	1985-1986	6899269-0B525981	72115	71510	71780
230/5.0LX	V8	Thunderbolt IV	1987-1995	0B525982-0F600999	72115	71510	71780
230/5.0LX	V8	Thunderbolt IV	1987-1995	0B525982-0F600999	72115	71510	71780
5.0L Alpha (Gen+)	V8	Thunderbolt V	1998 & Up	0L015751 & Up	72115	71510	71780
5.0L Bravo (Gen+)	V8	Thunderbolt V	1998 & Up	0L015751 & Up	72115	71510	71780
5.0L EFI (Gen+)	V8	Delco	1998	0L012052-0L339999	-	71400	71810
5.0L EFI (Gen+)	V8	Mercury	1990 & Up	0L340000 & Up	72110	71510	71780
233 MCM & MIE	V8	Mercury	1975-1977	4173000-4902304	72110	71550	N/A
233 MCM & MIE	V8	Prestolite w/clip down dist. Cap	1975-1977	4173000-4902304	72110	71570	N/A
233 MCM & MIE	V8	Prestolite w/screw down dist. Cap	1975-1977	4173000-4902304	72110	71560	N/A
250 MCM & MIE (GM 327)	V8	Thunderbolt	1968-1969	2314301-2639854	-	71550	71840
250 (GM 350)	V8	Mallory	1977	4768000-4908849	72110	71590	N/A
255 MIE & MCM (Ford 351)	V8	Mallory	1973-1980	3258728-5907057	72110	71590	N/A
255 MIE & MCM (Ford 351)	V8	Mercury	1973-1980	3258728-5907057	72110	71590	N/A
255 (GM 350)	V8	Mallory	1975-1976	3258728-4501254	72110	71590	N/A
255 (GM 350)	V8	Mercury	1976	4498701-4767999	72110	71550	N/A
260	V8	Mallory	1978-1982	4908850-6218461	72110	71590	N/A
260/5.7L	V8	Thunderbolt IV	1982-1986	6218462-0B525981	72115	71510	71780
260/5.7L Alpha	V8	Thunderbolt IV	1987-1994	0B525982-0F273497	72115	71510	71780
260/5.7L Alpha	V8	Thunderbolt IV	1987-1994	0B525982-0F273497	72115	71510	71780
260/5.7L Alpha	V8	Thunderbolt IV	1994-1995	0F273498-0F600999	72115	71510	71780
260/5.7L Alpha	V8	Thunderbolt IV	1994-1995	0F273498-0F600999	72115	71510	71780
260/5.7L Bravo	V8	Thunderbolt IV	1987-1991	0B525982-0D617327	72115	71510	71780
260/5.7L Bravo	V8	Thunderbolt IV	1992-1993	0D617328-0F353524	72110	71590	N/A
260/5.7L Bravo	V8	Thunderbolt IV	1992-1993	0D617328-0F353524	72115	71510	71780
5.7L Alpha (2 bbl.)	V8	Thunderbolt V	1996-1997	0F601000-0K999999	72110	71560	N/A
5.7L Alpha (Gen+)	V8	Thunderbolt V	1998 & Up	0L010037 & Up	72115	71510	71780
5.7L Bravo	V8	Thunderbolt V	1994-1995	0F353525-0F600999	-	71400	71810
5.7L Bravo (2 bbl.)	V8	Thunderbolt V	1996-1997	0F601000-0K999999	-	71400	71810
5.7L Bravo (Gen+)	V8	Thunderbolt V	1998 & Up	0L010037 & Up	-	71400	71810
5.7L Ski	V8	Mallory	1985-1995	0A338533-0F775199	72115	71510	71780
5.7LX Alpha (4 bbl.)	V8	Thunderbolt V	1996-1997	0F601000-0K999999	-	71400	71810
5.7L Ski	V8	Prestolite	1985-1995	0A338533-0F775199	-	71400	71810



MerCruiser

IGNITION APPLICATION

Model	# Cyl.	Ignition	Year	Serial No. Range	Ignition Coil	Cap	Rotor-Cap Kit
5.7LX Bravo (4 bbl.)	V8	Thunderbolt V	1996-1997	0F601000-0K999999	-	71400	71810
5.7 EFI	V8	Delco	1995	0F225560-0F752399	72115	71510	71780
5.7L EFI	V8	Delco	1996-1997	0F752400-0K999999	72115	71510	71780
5.7L EFI (Gen+)	V8	Delco	1998	0L010037-0L339999	72115	71510	71780
5.7L EFI (Gen+)	V8	Mercury	1999 & Up	0L340000 & Up	72115	71510	71780
5.7LX EFI	V8	Delco	1996-1997	0F752400-0K999999	72115	71510	71780
5.7LX Bravo EFI (Gen+)	V8	Delco	1996	0F800300-0K001508	72115	71510	71780
5.7LX Bravo EFI (Gen+)	V8	Delco	1997	0K001509-0K999999	72115	71510	71780
260/5.7L MIE (LH)	V8	Thunderbolt IV	1981-1986	5907058-0B522505	72115	71510	71780
260/5.7L MIE (RH)	V8	Thunderbolt IV	1981-1986	5907058-0B522505	72115	71510	71780
260/5.7L MIE (LH)	V8	Thunderbolt IV	1987-1993	0B522506-0F024999	72115	71510	71780
260/5.7L MIE (RH)	V8	Thunderbolt IV	1987-1993	0B522506-0F024999	72115	71510	71780
5.7L MIE	V8	Thunderbolt IV	1993-1995	0F025000-0F622099	72115	71510	71780
5.7L MIE	V8	Thunderbolt IV	1993-1995	0D025000-0F622099	72115	71510	71780
5.7L MIE	V8	Thunderbolt IV	1996	0F622100-0F622150	72115	71510	71780
5.7L MIE	V8	Thunderbolt IV	1995	0F622151-0F746099	72115	71510	71780
5.7L MIE	V8	Thunderbolt IV	1996-1997	0F746100-0K999999	72115	71510	71780
5.67L MIE (Gen+)	V8	Thunderbolt IV	1998 & Up	0L002003 & Up	72115	71510	71780
5.7L EFI MIE (Gen+)	V8	Delco	1997	0K040300-0K999999	-	71400	71810
5.7L Ski	V8	Thunderbolt IV	1987-1995	0B514627-0F775199	72115	71510	71780
5.7L Ski	V8	Thunderbolt IV	1987-1995	0B514627-0F775199	72115	71510	71780
5.7L Ski	V8	Thunderbolt IV	1996-1997	0F775200-0K999999	72115	71510	71780
5.7L Ski	V8	Thunderbolt IV	1998 & Up	0L002005 & Up	72115	71510	71780
350 Mag Alpha	V8	Thunderbolt IV	1986-1987	0A635178-0B525981	72115	71510	71780
350 Mag Alpha	V8	Thunderbolt IV	1987-1991	0B525982-0D617327	72115	71510	71780
350 Mag Alpha	V8	Thunderbolt IV	1992-1994	0D617328-0F353690	72115	71510	71780
350 Mag Alpha	V8	Thunderbolt IV	1995-1997	0F353691-0F600999	72115	71510	71780
350 Mag Alpha	V8	Thunderbolt IV	1996-1997	0F601000-0K999999	72115	71510	71780
350 Mag Alpha EFI (Gen+)	V8	Delco	1996	0F800300-0K001508	-	71400	71810
350 Mag Alpha EFI (Gen+)	V8	Delco	1997	0K001509-0K999999	-	71400	71810
350 Mag Bravo MPI	V8	Delco	1995	0F415189-0F601999	-	71400	71810
350 Mag Bravo MPI (Gen+)	V8	Delco	1996	0F602000-0K001500	-	71400	71810
350 Mag Bravo MPI (Gen+)	V8	Delco	1997	0F001501-0K999999	-	71400	71810
350 Mag MPI (Gen+)	V8	Delco	1998	0L010019-0L339999	-	71400	71810
350 Mag MPI (Gen+)	V8	Mercury	1999 & Up	0L340000 & Up	72115	71510	71780
350 Mag MPI MIE (Gen+)	V8	Delco	1998 & Up	0L002008-0L304499	-	71400	71810
350 Mag MPI MIE (Gen+)	V8	Mercury	1999 & Up	0L304500 & Up	72115	71510	71780
350 Mag Ski	V8	Thunderbolt IV	1991-1996	0D505450-0K040399	72115	71510	71780
350 Mag Ski	V8	Thunderbolt IV	1991-1996	0D505450-0K040399	72115	71510	71780
350 Mag Ski	V8	Thunderbolt IV	1991-1997	0D505450-0K999999	72115	71510	71780
350 Mag EFI Ski	V8	Delco	1994-1996	0F215561-0F820706	-	71400	71810
350 Mag EFI Ski (Gen+)	V8	Delco	1996	0F820707-0K040005	-	71400	71810
350 Mag EFI Ski (Gen+)	V8	Delco	1997	0K040006-0K999999	-	71400	71810
350 Mag MPI Ski	V8	Delco	1995-1996	0F350583-0F799999	-	71400	71810
350 Mag MPI Ski (Gen+)	V8	Delco	1998	0L002600-0L304599	-	71400	71810

MerCruiser

IGNITION APPLICATION

Model	# Cyl.	Ignition	Year	Serial No. Range	Ignition Coil	Cap	Rotor-Cap Kit
350 Mag MPI Ski (Gen+)	V8	Mercury	1999 & Up	0L304600 & Up	72115	71510	71780
Black Scorpion Ski (Gen+)	V8	Delco	1996	0F800000-0K040000	-	71400	71810
Black Scorpion Ski (Gen+)	V8	Delco	1997-1998	0K040001-0L304549	-	71400	71810
Black Scorpion Ski (Gen+)	V8	Delco	1999 & Up	0L304550 & Up	-	71400	71810
270 MCM & MIE	V8	Thunderbolt	1969-1972	2851074-3385720	-	71550	71840
280 TRS	V8	Mallory	1976	4499391-4770199	72110	71590	N/A
300 Tempest	V8	Thunderbolt IV	1985-1986	6668677-0B430367	72115	71510	71780
320 EFI	V8	Thunderbolt IV	1987-1989	0A543604-0C622418	72115	71510	71780
325 MCM & MIE (GM 427)	V8	Thunderbolt	1969-1971	2278747-3469127	-	71550	71840
325 MCM & MIE (GM 427)	V8	Thunderbolt	1972-1974	3469128 & Up	-	71550	71840
330 MCM & MIE	V8	Mallory	1977-1981	4623115-6083144	72110	71590	N/A
330 MCM & MIE	V8	Thunderbolt	1977-1981	4623115-6083144	-	71550	71840
330	V8	Thunderbolt IV	1982-1987	6083145-0B816540	72115	71510	71780
340/7.4L MIE	V8	Thunderbolt IV	1981-1992	5889914-0D715493	72115	715109	71780
350 MIE	V8	Thunderbolt	1974-1976	3780450-4623109	-	71550	71840
7.4L Bravo	V8	Thunderbolt IV	1988-1991	0B771113-0D603117	72115	71510	71780
7.4L Bravo	V8	Thunderbolt IV	1992-1997	0D603118-0K999999	72115	71510	71780
7.4L Bravo I/II	V8	Thunderbolt IV	1992-1997	0D603118-0K999999	72115	71510	71780
7.4L Bravo III	V8	Thunderbolt IV	1992-1997	0D603118-0K999999	72115	71510	71780
7.4L Bravo I/II	V8	Thunderbolt V	1992-1997	0D603118-0K999999	72115	71510	71780
7.4L Bravo III	V8	Thunderbolt V	1992-1996	0D603118-0F800699	72115	71510	71780
7.4L Bravo III	V8	Thunderbolt V	1996-1997	0F800700-0K999999	72115	71510	71780
7.4LX Bravo EFI	V8	Delco	1996-1997	0F820000-0K999999	-	71400	71810
7.4LX Bravo MPI	V8	Delco	1996	0F602010-0F801999	-	71400	71810
7.4LX Bravo MPI	V8	Delco	1996	0F820000-0K147349	-	71400	71810
7.4LX Bravo MPI	V8	Delco	1997	0K147350-0K999999	-	71400	71810
7.4L MPI (L29)	V8	Delco	1998 & Up	0L01000 & Up	-	71400	71810
7.4L MIE	V8	Thunderbolt IV	1992-1996	0D715494-0F820141	72110	71510	71780
7.4L MIE	V8	Thunderbolt IV	1992-1996	0D715494-0F820141	72115	71510	71780
7.4L MIE	V8	Thunderbolt V	1992-1997	0D715494-0K999999	72115	71510	71780
7.4L TBI MIE	V8	Delco	1996-1997	0F874815-0K999999	-	71400	71810
7.4L MPI MIE	V8	Delco	1995-1996	0F563052-0F820103	-	71400	71810
7.4L MPI MIE	V8	Delco	1996	0F820104-0K146534	-	71400	71810
7.4L MPI MIE	V8	Delco	1997	0K146535-0K999999	-	71400	71810
7.4L MPI MIE (L29)	V8	Delco	1998 & Up	0L002006 & Up	-	71400	71810
370 TRS	V8	Mallory	1978-1985	4179554-6721527	72110	71590	N/A
370 TRS	V8	Thunderbolt IV	1985-1987	6721528-0B714586	72110	71510	71780
390	V8	Thunderbolt	1969-1970	2781129-28255059	-	71550	71840
400 TRS	V8	Mallory	1980-1986	5668232-0B457644	72110	71590	N/A
420	V8	Thunderbolt IV	1987-1989	0A398941-0B622418	72115	71510	71780
425	V8	Thunderbolt IV	1990-1993	0B622419-0D937011	-	71510	71780
440 TRS	V8	Mallory	1983-1986	6181070-0B485220	72110	71590	N/A
450	V8	Thunderbolt IV	1995-1996	0F347100-0F347277	72115	71510	71780
454 Mag Alpha	V8	Thunderbolt IV	1986-1988	0A631894-0B785148	72115	71510	71780
454 Mag Bravo	V8	Thunderbolt IV	1988-1992	0B721206-0D805068	72115	71510	71780



MerCruiser

IGNITION APPLICATION

Model	# Cyl.	Ignition	Year	Serial No. Range	Tune-up Kit	Points	Cond.	Rotor
110	L4	Delco	1963-1966	1537370-2044033	72610	70020	70530	71020
120	L4	Delco	1964-1974	1666601-3825578	72610	70020	70530	71020
120/2.5L	L4	Delco	1974-1989	3825579-0C853255	72610	70020	70530	71020
140	L4	Delco	1968-1974	2508261-3826282	72610	70020	70530	71020
140/3.0L	L4	Delco	1974-1989	3826283-0C856558	72610	70020	70530	71020
3.0L/LX	L4	Prestolite	1990-1995	0C856559-0F603999	72650	70010	70510	71060
165/3.7L	L4	Delco	1987-1989	0B434940 & Up	72610	70020	70530	71020
170	L4	Delco	1985-1986	6916779-0B434940	72610	70020	70530	71020
180/3.7LX	L4	Delco	1987-1989	0B436391 & Up	72610	70020	70530	71020
180/3.7LX	L4	Prestolite	1987-1989	0B436391 & Up	72650	70010	70510	71060
190	L4	Delco	1985-1986	6916779-0B436390	72610	70020	70530	71020
470	L4	Delco	1976-1984	4208730-691778	72610	70020	70530	71020
485	L4	Delco	1980-1982	5685394-6218036	72610	70020	70530	71020
488	L4	Delco	1983-1984	6170297-6916778	72610	70020	70530	71020
All Prestolite	L4	Replacement 4-Cyl.	All	All	72650	70010	70580	71060
140	L6	Delco	1963	1538930-1725960	72610	70020	70530	71020
150	L6	Delco	1964-1966	1666495-2048046	72610	70020	70530	71020
160	L6	Delco	1967-1969	2048022-2494926	72610	70020	70530	71020
160	L6	Delco	1969	2494927-2770031	72610	70020	70530	71020
165	L6	Delco	1970	2770032-2771483	72610	70020	70530	71020
165	L6	Delco	1971-1981	2771484-5813433	72610	70020	70530	71020
200	L6	Delco	1969	2453769-2712072	72610	70020	70530	71020
All Prestolite	L6	Replacement 6-Cyl.	All	All	72650	70010	70510	71060
185 (4 bbl.) (3.8L)	V6	Prestolite	1983-1984	6330183-6919655	72650	70010	70510	71060
190 (GM 283)	V8	Delco	1963-1964	1564539-1730903	72630	N.L.A.	N.L.A.	N.L.A.
215 MCM & MIE (Ford 302)	V8	Autolite	1970-1972	2781153-3563181	72640	70040	70540	71030
215 MCM & MIE (Ford 302)	V8	Mallory	1970-1972	2781153-356318	72620	70060	70580	71040
225 MCM & MIE	V8	Autolite	1973-1974	3385721-4166999	72640	70040	70540	71030
225 MCM & MIE	V8	Mallory	1973-1974	3385721-4166999	72620	70060	70580	71040
225 MCM & MIE	V8	Mercury	1973-1974	3385721-4166999	72670	70050	70540	71030
888 (Ford 302)	V8	Mercury	1971-1977	3108723-4887829	72670	70050	70580	71030
888 (Ford 302)	V8	Prestolite	1971-1977	3108723-4887829	72660	70010	70510	71050
888 (Ford 302)	V8	Mallory	1971-1977	3108723-4887829	72620	70060	70580	71040
888 (Ford 302)	V8	Autolite	1971-1977	3108723-4887829	72640	70040	70540	71030
225 (GM 327)	V8	Delco	1963-1969	1539620-2694014	72630	N.L.A.	N.L.A.	N.L.A.
228 MCM & MIE	V8	Mallory	1977-1982	4765100-6218461	72620	70060	70580	71040
898/198 MCM & MIE	V8	Mallory	1977-1982	4762210-6218461	72620	70060	70580	71040
233 MCM & MIE	V8	Mercury	1975-1977	4173000-4902304	72670	70050	70540	71030
233 MCM & MIE	V8	Prestolite w/clip down dist. Cap	1975-1977	4173000-4902304	72660	70010	70510	71050
233 MCM & MIE	V8	Prestolite w/screw down dist. Cap	1975-1977	4173000-4902304	72650	70010	70510	71060
250 (GM 350)	V8	Mallory	1977	4768000-4908849	72620	70060	70580	71040
255 MIE & MCM (Ford 351)	V8	Mallory	1973-1980	3258728-5907057	72620	70060	70580	71040
255 MCM & MIE (Ford 351)	V8	Mercury	1973-1980	3258728-5907057	72670	70050	70540	71030
255 (GM 350)	V8	Mallory	1975-1976	3258728-4501254	72620	70060	70580	71040
255 (GM 350)	V8	Mercury	1976	44987601-4767999	72670	70050	70540	71030



Section 14

Electrical Solenoids Voltage Regulators

Starter & Slave Solenoids 180-181
Voltage Regulators 181

MerCruiser

STARTER & SLAVE SOLENOIDS

No. 72480

OEM: 25661T1



No. 72370

OEM: 89-853654A1



No. 72400

OEM: 89-96158T



Bent Base

No. 72410

OEM: 65057T1



No. 72390

OEM: 89-96054T



Flat Base

No. 72360

OEM: 89-76416A1



No. 72380

OEM: 89-818999A2



No. 72470

OEM: 89-850188T1



MerCruiser

STARTER SOLENOIDS

No. 72490

OEM: 33261



No. 72450

OEM: 809463A1



No. 72460

OEM: 89-18080



VOLTAGE REGULATORS

No. 72210

OEM: 78385



No. 72240

OEM: 42785



Mando

No. 72250

OEM: 808534T



Motorola



Section 15

Gaskets, Seals & Engine Kits

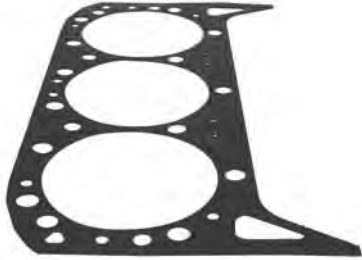
<i>Head Gaskets</i>	<i>184</i>
<i>Intake Manifold Gaskets</i>	<i>185</i>
<i>Valve Cover Gaskets.....</i>	<i>185</i>
<i>Lifter Side Cover Gaskets</i>	<i>185</i>
<i>Oil Pan Gaskets</i>	<i>186</i>
<i>Rear Main Oil Seals - Crankshaft</i>	<i>186</i>
<i>Gaskets</i>	<i>187</i>
<i>Timing Chain Cover Gasket Kits</i>	<i>188</i>
<i>Timing Chain Cover Gaskets</i>	<i>188</i>
<i>Cylinder Head & Intake Manifold Gasket Kits</i>	<i>189</i>
<i>Engine Overhaul Gasket Kits</i>	<i>190-191</i>
<i>Engine Gaskets & Seals Application Guide</i>	<i>192-195</i>

MerCruiser

HEAD GASKETS

No. 36100

OEM: 27-816460



Chevy 262 CID
V6 Engine 4.3L

No. 36140

OEM: 27-47453



Chevy 250 CID
(6-Cyl.) Engine 4.1L

No. 36110

OEM: 27-8M0049045



Chevy Mark IV 454 CID engine 7.4L
(1991 & Before)

No. 36180

OEM: 27-850470



Chevy Gen V & VI
454 CID Engine 7.4L
(1992 & Up)

No. 36120

OEM: 27-13709



MerCruiser
224 CID Engine 3.7L

No. 36170

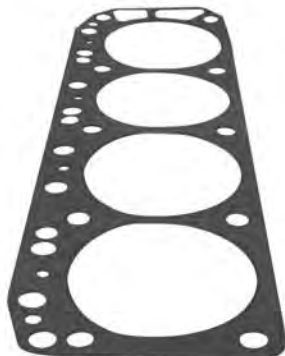
OEM: 27-75647



Ford
302 CID Engine 5.0L

No. 36130

OEM: 27-34273-1



Chevy
153 CID Engine 2.5L

No. 36150

OEM: 27-52364



Chevy
181 CID Engine 3.0L

No. 36160




OEM: 27-75611











Chevy
305/350 CID Engine 5.0/5.7L

MerCruiser



INTAKE MANIFOLD GASKET

<p>No. 31390 OEM: 27-35898T</p>  <p>110 / 120 HP</p>	<p>No. 31750 OEM: 27-70905</p>  <p>Merc. 224 CID 3.7L</p>	<p>No. 30345 OEM: 27-824326002</p>  <p>GM 4.3L (1996 & Up)</p>	<p>No. 30349 OEM: N/A</p>  <p>GM 262 CID 4.3L</p>	<p>No. 30351 OEM: 27-11977</p>  <p>GM 262 CID 4.3L</p>
<p>No. 39200 OEM: 27-73042</p>  <p>Ford 302 CID 5.0L S/N 4466390-4615129</p>	<p>No. 30860 OEM: 27-17145</p>  <p>GM 305 / 350 CID 5.0 / 5.7L (1997 & Before)</p>	<p>No. 30347 OEM: 27-807473A1</p>  <p>GM 5.0 / 5.7L (1996 & Up)</p>	<p>No. 36280 OEM: 27-75645</p>  <p>Ford 351 CID 5.8L</p>	<p>No. 39170 OEM: 27-65184 with Oval Intake Ports</p>  <p>GM 454 CID 7.4L</p>

VALVE COVER GASKETS

<p>No. 32210 OEM: 27-806452</p>  <p>GM 153/181 CID 2.5/3.0L</p>	<p>No. 31820 OEM: 27-73666</p>  <p>For Merc 224 CID 3.7L</p>	<p>No. 30340 OEM: 27-49936</p>  <p>GM 250 CID 4.1L</p>	<p>No. 30359 OEM: 27-11988</p>  <p>GM 262 CID 4.3L</p>	<p>No. 30356 OEM: 27-851040</p>  <p>GM 3.0L (1998 & Up)</p>
<p>No. 30353 OEM: 27-11999 Cork</p>  <p>GM 305/350 CID 5.0/5.7 (1986 & Before)</p>	<p>No. 30357 OEM: 27-17467 Rubber</p>  <p>GM 305/350 CID 5.0/5.7L (1987 & Up)</p>	<p>No. 30470 OEM: 27-56173</p>  <p>Ford 302/351 CID 5.0L/5.8L</p>	<p>No. 30350 OEM: 27-49121</p>  <p>Mark IV GM 454/502 CID 7.4/8.2L</p>	<p>No. 30358 OEM: 27-827154</p>  <p>GM 4.3L/LX/ LH/LXH with Plastic Valve Cover (1996 & Up)</p>

LIFTER SIDE COVER GASKETS

<p>No. 30100 OEM: 27-34208</p>  <p>120/140 4-Cyl. w/ Casting Cover</p>	<p>No. 30120 OEM: 27-34209</p>  <p>140/150/ 160/165 6-Cyl.</p>	<p>No. 32640 OEM: 27-814703</p>  <p>120/140 4-Cyl. w/ Stamped Cover</p>
--	--	---

MerCruiser

OIL PAN GASKETS

<p>No. 39470 OEM: 27-14901A1</p>  <p>GM 153/181CID 2.5L & 3.0L</p>	<p>No. 30850 OEM: 27-72479A5</p>  <p>Merc. 224 CID 3.7L</p>	<p>No. 39460 OEM: 27-42797</p>  <p>GM 229 CID 3.8L V6</p>
<p>No. 39130 OEM: 27-49949</p>  <p>GM 250 CID 4.1L 160/165 Inline 6-Cyl.</p>	<p>No. 39840 OEM: 27-883964</p>  <p>GM 262 CID 4.3L V6</p>	<p>No. 39860 OEM: 27-14247T1</p>  <p>GM 262 CID 4.3L V6</p>
<p>No. 39850 OEM: 27-13865-1</p>  <p>GM 305/350 CID 5.0/5.7L (1986 & Up)</p>	<p>No. 39490 OEM: 27-52550</p>  <p>Mark IV GM 454/502CID 7.4L & 8.2L (1991 & Before)</p>	<p>No. 39540 OEM: 27-85817A1, 27-90458A1</p> <p>UNIVERSAL TYPE</p> <p>Replaces: No. 39230 & 39260</p>  <p>GM 262,265,267, 283,302,305,327 350 & 400 S.B. (1986 & Before)</p>
<p>No. 39160 OEM: 27-64798</p>  <p>Ford 302 CID 5.0L</p>	<p>No. 39500 OEM: 27-75483</p>  <p>Ford 351CID 5.8L</p>	<p>No. 30370 OEM: 27-49955 DRAIN PLUG</p> 

REAR MAIN OIL SEALS - CRANK SHAFT

<p>No. 85490 OEM: 26-814622 TWO PIECE</p>  <p>Chevy (1985 & Before)</p>	<p>No. 85970 OEM: 26-8M0062772 ONE PIECE</p>  <p>4.3/5.0/5.7L Counter Rotation (1986 & Up)</p>	<p>No. 85780 OEM: 26-97335 ONE PIECE</p>  <p>4.3L Standard Rotation</p>	<p>No. 85790 OEM: 26-14240 ONE PIECE</p>  <p>4.3/5.0/5.7L Standard Rotation (1986 & Up)</p>	<p>No. 85960 OEM: 26-14756 TWO PIECE</p>  <p>7.4/8.2L (1991 & Before)</p>	<p>No. 85980 OEM: 26-64796 TWO PIECE</p>  <p>Ford 351 CID</p>
---	--	---	---	---	---

MerCruiser

GASKETS

<p>No. 32040 OEM: 391-5076</p>  <p>Mallory V8 Distributor Cap</p>	<p>No. 32030 OEM: 392-6329</p> <p>DISCONTINUED</p>  <p>Prestolite Distributor Cap</p>	<p>No. 31370 OEM: 27-34486-3</p>  <p>V6 & V8 Chevy Distributor Mounting</p>	<p>No. 32300 OEM: 27-87707</p>  <p>4-Cyl. Distributor Mounting</p>
<p>No. 32060 OEM: 27-805760</p>  <p>V6 & V8 T-Bolt Distributor Cap</p>	<p>No. 30110 OEM: 27-34460</p>  <p>4 & 6-Cyl. Chevy Oil Pump Cover</p>	<p>No. 30490 OEM: 27-56859</p>  <p>Oil Pump Mounting</p>	<p>No. 32390 OEM: 27-91892</p>  <p>Oil Filter & Adaptor</p>
<p>No. 30820 OEM: 27-71614</p>  <p>224 Mercruiser Reservoir Cap Gasket Closed Cooling</p>	<p>No. 31850 OEM: 27-75450</p>  <p>224 CID Heat Exchanger Cap</p>	<p>No. 31830 OEM: 27-99960</p>  <p>224 CID Heat Exchanger End Cap</p>	<p>No. 30200 OEM: 27-39947</p>  <p>120 Choke Cover</p>
<p>No. 32290 OEM: 27-86015</p>  <p>Flywheel Housing Cover Gasket</p>	<p>No. 32340 OEM: 27-88983</p>  <p>470 (170HP) Flywheel Housing Cover Gasket</p>	<p>No. 30354 OEM: 27-14241</p>  <p>V6 305 & 350 CID Rear Main Seal Retainer Cover</p>	<p>No. 32410 OEM: 27-94976</p>  <p>Flywheel Housing Cover Gasket</p>

MerCruiser

TIMING CHAIN COVER GASKET KITS

No. 39710

OEM: 27-34213A2



Chevy 153/181 CID Engines:
110, 120, 130, 140, 150, 160 & 165 HP
2.5L & 3.0L

No. 39730

OEM: 27-42457A1



Chevy 262 CID Engines:
175, 185 & 205 HP

No. 39740

OEM: 27-54529A1



For Mark IV, Chevy 454 CID Engines:
325, 330, 340 & 350 Inboard
& 300 TRS (1991 & Before)

No. 39720

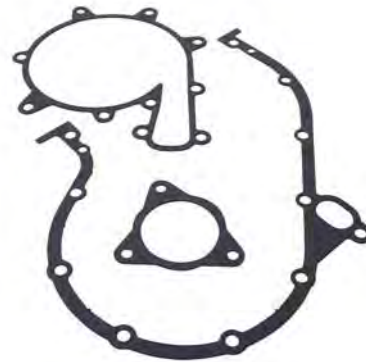
OEM: 27-34895A2



Chevy 305 & 350 CID Engines:
200, 225, 228, 230, 250, 255, 260, 270, 280, HP. 898
(198HP) & 5.7 L (SKI) (1997 & Before)

No. 39760

OEM: 27-68714A7



MerCruiser
4-Cyl. 3.7L

TIMING CHAIN COVER GASKETS

No. 30360

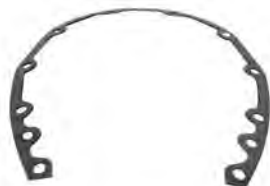
OEM: 27-49953



4 & 6-Cyl. Chevy
Timing Chain Cover

No. 30530

OEM: 27-14250



Chevy V6 & SB V8
Timing Chain Cover
(1997 & Before)

No. 30440

OEM: 27-54529



Chevy 454 CID
Timing Chain Cover
(1991 & Before)

No. 30460

OEM: 27-56108



Ford V8 Timing
Chain Cover

MerCruiser

CYLINDER HEAD & INTAKE MANIFOLD GASKET KITS

No. 39690

OEM: 27-75611A2



Chevy 305/350 CID Engines:
898 (198HP), 200, 228, 230/260 Inboard,
230, 250, 255, 260, 280 & 5.7L Ski
(1997 & Before)

No. 39651

OEM: N/A



Same as No. 39650 without
Oil Pan Gasket & Crank seals.

Chevy 262 CID Engines:
175, 185 & 205 HP

No. 39660

OEM: 27-47453A1



Chevy 250 CID
165 HP S/N 2700032 & Up

No. 39680

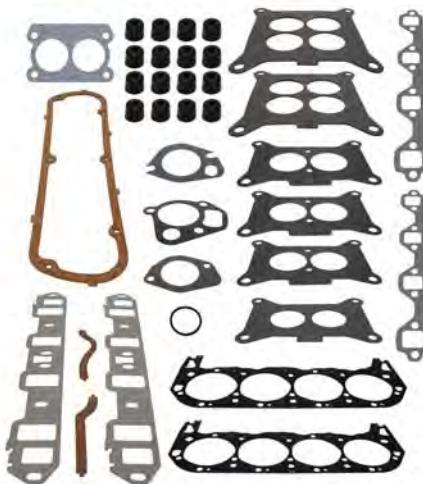
OEM: 27-64763A2



For Ford 351CID Engines:
233 HP S/N 4173000-4500860

No. 39670

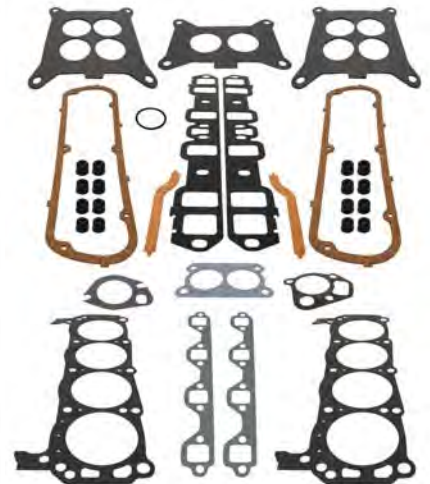
OEM: 27-56110A1



Ford 302 CID Engines:
215 Inboard, 225HP, 888 (188HP)

No. 39700

OEM: 27-75647A1



Ford 302 CID Engines:
888 (188 HP) S/N 461530 & Up

MerCruiser

ENGINE OVERHAUL GASKET KITS

No. 39050

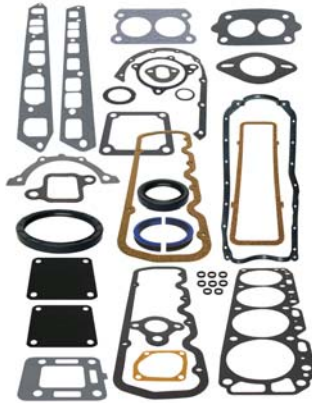
OEM: 27-34273A88



GM 153 CID 2.5L
(1983-1989)

No. 39011

OEM: 27-810846A05
+ 27-52364A88



MCM 140/3.0L (1983-1989)
MCM 3.0L/LX (1990 & Up)

No. 39060

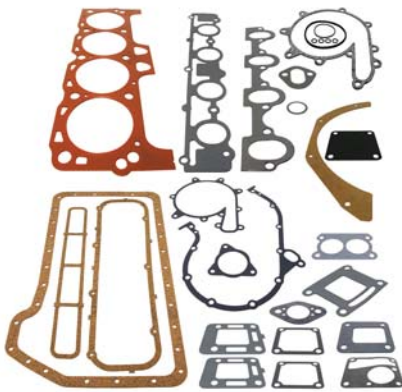
OEM: 27-801839



GM 181 CID 3.0L
(1968-1982)

No. 39110

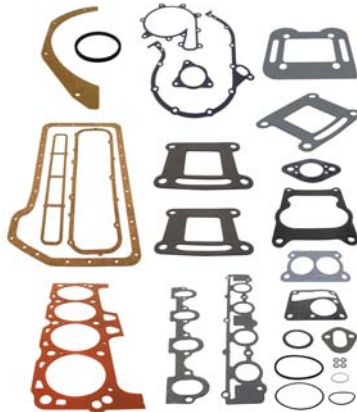
OEM: 27-74830A3



Mercruiser 224 3.7L
470 (1976-1984) & 485 (1980-1982)

No. 39040

OEM: 27-43186A1



Mercruiser 224 CID 3.7L
(1983-1989) except 1983-84 470

No. 39100

OEM: 27-801841



GM 250 CID 4.0L
160, 165 HP

No. 39650

OEM: 27-11977A92



Chevy 262 CID Engines: 175, 185 & 205 HP
(1992 & Before)

No. 39012

OEM: 27-801842



4.3L

No. 39013

OEM: 27-824326A93



4.3L/LX Gen II
(1993-1995)

MerCruiser

ENGINE GASKETS & KITS APPLICATION GUIDE

Model	# Cyl.	Year	Serial No. Range	Cylinder Head Gasket	Exhaust Manifold Gasket	Intake Manifold Gasket	Oil Pan Gasket	Rocker Cover Gasket	Timing Cover Gasket	Overhaul Gasket Set
120	153 / L4	1964-1982	1666601-6229717	36130	31550	31550	39470	32210	30360	-
120	153 / L4	1983-1986	6229718-0B531853	36130	33570	33570	39470	32210	30360	39050
2.5L	153 / L4	1987-1989	0B531854-0C853255	36130	33570	33570	39470	32210	30360	39050
140	181 / L4	1968-1982	2508261-6229717	36150	31570	31570	39470	32210	30360	39060
140	181 / L4	1983-1986	6229718-0B450800	36150	33570	33570	39470	32210	30360	-
3.0L	181 / L4	1987-1989	0B450801-0C856558	36170	33570	33570	39470	32210	30360	-
3.0L	181 / L4	1990-1994	0C856559-0F353099	36150	33570	33570	-	32210	30360	-
3.0L	181 / L4	1998-2003	0L010042 & Up	36150	33580	33580	-	-	30360	-
3.0LX	181 / L4	1990-1997	0C856559-0K999999	36150	33580	33580	-	32210	30360	-
165	224 / L4	1987-1987	0B434941-0B774251	36120	31710	31750	30850	31820	39760	39040
170	224 / L4	1985-1986	6916779-0B434940	36120	31710	31750	30850	31820	39760	39040
180	224 / L4	1987-1987	0B436391-0B775248	36120	31710	31750	30850	31820	39760	39040
190	224 / L4	1985-1986	6916779-0B436390	36120	31710	31750	30850	31820	39760	39040
3.7L	224 / L4	1988-1989	0B774252-0C762299	36120	31710	31750	30850	31820	39760	39040
3.7LX	224 / L4	1988-1989	0B775249-0C762299	36120	31710	31750	30850	31820	39760	39040
470	224 / L4	1976-1984	4208730-6916778	36120	31710	31750	30850	31820	39760	39110
485	224 / L4	1980-1982	5685394-6218036	36120	31710	31750	30850	31820	39760	39110
488	224 / L4	1983-1984	6170297-6916778	36120	31710	31750	30850	31820	39760	39040
160	250 / L6	1967-1969	2048022-2770031	36140	31440	-	39130	30340	30360	39100
165 (6-Cyl.)	250 / L6	1970-1981	2770032-5813433	36140	31440	-	39130	30340	30360	39100
185 (4 bbl.)	229 / V6	1983-1984	6330183-6919655	36100	32170	N.L.A.	N.L.A.	N/A	30530	N/A
175	262 / V6	1987-1987	0B527955-0B773242	36100	32170	30351	39840	30359	30530	39650
185 (2 bbl.)	262 / V6	1985-1986	0A331455-0B527954	36100	32170	30351	39840	30359	30530	39650
205	262 / V6	1985-1986	0A331455-0B527954	36100	32170	30351	39840	30359	30530	39650
262 Mag EFI (Gen+)	262 / V6	1996-1997	0F803800-0K999999	36100	32170	-	-	30356	N.S.S.	39014
4.3L	262 / V6	1988-1992	0B773243-0D714106	36100	32170	30351	39840	30359	30530	39650
4.3L (Gen II)	262 / V6	1992-1993	0D714107-0F000877	36100	32170	-	39840	30359	-	39650
4.3L (GenII)	262 / V6	1992-1993	0D714107-0F000877	36100	32170	-	39840	30359	-	39012
4.3L (Gen II)	262 / V6	1993-1995	0F000878-0F601126	36100	32170	-	39840	30359	-	39013
4.3L (Gen II)	262 / V6	1993-1995	0F000878-0F601126	36100	32170	-	39840	30359	-	39012
4.3L (Gen II)	262 / V6	1996-1996	0F601127-0F802999	36100	32170	-	39840	30356	N.S.S. (2)	39013
4.3L (Gen II)	262 / V6	1996-1996	0F601127-0F802999	36100	32170	-	39840	30356	N.S.S. (2)	39012
4.3L (Gen+)	262 / V6	1998-2003	0L010044 & Up	36100	32170	-	-	30356	N.S.S.	39014
4.3L EFI (Gen+)	262 / V6	1998-2003	0L012009 & Up	36100	32170	-	-	30356	N.S.S.	39014
4.3L MPI	262 / V6	2001-2003	0M300000 & Up	36100	32170	-	-	30356	N.S.S.	-
4.3LH (Gen+)	262 / V6	1998-2003	0L010044 & Up	36100	32170	-	-	30356	N.S.S.	39014
4.3LX	262 / V6	1988-1991	0B775130-0D714369	36100	32170	30351	39840	30359	30530	39650
4.3LX (Gen II)	262 / V6	1992-1993	0D714370-0F001219	36100	32170	-	39840	30359	-	39650
4.3LX (Gen II)	262 / V6	1992-1993	0D714370-0F001219	36100	32170	-	39840	30359	-	39012
4.3LX (Gen II)	262 / V6	1993-1995	0F001220-0F601126	36100	32170	-	39840	30359	-	39013
4.3LX (Gen II)	262 / V6	1993-1995	0F001220-0F601126	36100	32170	-	39840	30359	-	39012
4.3LX (Gen II)	262 / V6	1996-1996	0F601127-0F802999	36100	32170	-	39840	30356	N.S.S. (2)	39013
4.3LX (Gen II)	262 / V6	1996-1996	0F601127-0F802999	36100	32170	-	39840	30356	N.S.S. (2)	39012
4.3LX (Gen+)	262 / V6	1996-1997	0F803000-0K999999	36100	32170	-	-	30356	N.S.S.	39014
4.3LX (Gen+)	262 / V6	1996-1997	0F803114-0K999999	36100	32170	-	-	30356	N.S.S.	39014
215	302 / V8	1970-1972	2781153-3395720	36170	33790	39200	39160	30470	N.L.A.	39030
225 (Ford)	302 / V8	1973-1974	3385721-4166999	36170	33790	39200	39160	30470	N.L.A.	39030
225 S (Ford)	302 / V8	1974-1974	3836688-4166999	36170	33790	39200	39160	30470	N.L.A.	39030
888	302 / V8	1971-1977	3108723-4615129	36170	33790	39200	39160	30470	N.L.A.	39030
888	302 / V8	1977-1977	4615130-4887829	36170	33790	N.L.A.	39160	30470	N.L.A.	39030
190	283 / V8	1963-1964	1564539-1730903	36160	31100	N.L.A.	N.L.A.	30353	30530	39015
198 MIE	305 / V8	1977-1977	4762210-4931099	36160	31100	30860	39540	30353	30530	N.L.A.
198 MIE	305 / V8	1977-1977	4762210-4931099	36160	31100	30860	39540	30353	30530	N.L.A.
200	305 / V8	1985-1987	6899058-0B525981	36160	31100	30860	39540	30353	30530	39010
200	305 / V8	1985-1987	6899058-0B525981	36160	31100	30860	39850	30353	30530	39010
200	305 / V8	1987-1987	0B525982-0B774444	36160	31100	30860	39850	30357	30530	39010
200	305 / V8	1987-1987	0B525982-0B774444	36160	31100	30860	39850	30357	30530	-
228	305 / V8	1977-1982	4765100-6218461	36160	31100	30860	39540	30353	30530	N.L.A.
228	305 / V8	1977-1982	4765100-6218461	36160	31100	30860	39540	30353	30530	N.L.A.
228	305 / V8	1983-1984	6218462-6899268	36160	31100	30860	39540	30353	30530	39010
228	305 / V8	1983-1984	6218462-6899268	36160	31100	30860	39540	30353	30530	39010
228 MIE	305 / V8	1977-1980	4765100-5907057	36160	31100	30860	39540	30353	30530	39010
230	305 / V8	1985-1987	6899269-0B525981	36160	31100	30860	39540	30353	30530	39010
230	305 / V8	1985-1987	6899269-0B525981	36160	31100	30860	39850	30353	30530	39010
230	305 / V8	1987-1987	0B525982-0B773739	36160	31100	30860	39850	30357	30530	39017
230	305 / V8	1987-1987	0B525982-0B773739	36160	31100	30860	39850	30357	30530	-
230 MIE	305 / V8	1981-1987	5907058-0B522505	36160	31100	30860	39540	30353	30530	39010
230 MIE	305 / V8	1981-1987	5907058-0B522505	36160	31100	30860	39850	30353	30530	39010

MerCruiser

ENGINE GASKETS & KITS APPLICATION GUIDE

Model	# Cyl.	Year	Serial No. Range	Cylinder Head Gasket	Exhaust Manifold Gasket	Intake Manifold Gasket	Oil Pan Gasket	Rocker Cover Gasket	Timing Cover Gasket	Overhaul Gasket Set
230 MIE	305 / V8	1987-1987	0B522506-0C396832	36160	31100	30860	39850	30357	30530	39017
230 MIE	305 / V8	1987-1987	0B522506-0C396832	36160	31100	30860	39850	30357	30530	-
5.0L	305 / V8	1988-1955	0B774445-0F600999	36160	31100	30860	39850	30357	30530	39017
5.0L	305 / V8	1988-1995	0B774445-0F600999	36160	31100	30860	39850	30357	30530	-
5.0L Gen+	305 / V8	1998-2003	0L015751 & Up	36160	31100	39540	39940	30357	N.S.S.	39016
5.0 EFI Gen+	305 / V8	1998-2003	0L012052 & Up	36160	31100	39540	39940	30357	N.S.S.	39016
5.0L MIE	305 / V8	1988-1988	0B788152-0C396832	36160	31100	30860	39850	30357	30530	39017
5.0L MIE	305 / V8	1988-1988	0B788152-0C396832	36160	31100	30860	39850	30357	30530	-
5.0L MPI	305 / V8	2001-2003	0M300000 & Up	-	31100	39540	39940	30357	N.S.S.	39016
5.0LX	305 / V8	1988-1995	0B773740-0F600999	36160	31100	30860	39850	30357	30530	39017
5.0LX	305 / V8	1988-1995	0B773740-0F600999	36160	31100	30860	39850	30357	30530	-
898	305 / V8	1977-1982	4762210-6218461	36160	31100	30860	39540	30353	30530	N.L.A.
898	305 / V8	1983-1984	6218462-6899057	36160	31100	30860	39540	30353	30530	39010
898	305 / V8	1983-1984	6218462-6899057	36160	31100	30860	39540	30353	30530	39010
225 GM (LH)	327 / V8	1963-1969	1539620-2595696	36160	31100	N.L.A.	N.L.A.	30353	30530	39015
225 GM (RH)	327 / V8	1963-1969	1539620-2595696	36160	31100	N.L.A.	N.L.A.	30353	30530	N.L.A.
225 GM (LH)	327 / V8	1969-1969	2595697-2694014	36160	31100	-	N.L.A.	30353	30530	39015
225 GM (RH)	327 / V8	1969-1969	2595697-2694014	36160	31100	-	N.L.A.	30353	30530	N.L.A.
250 (LH)	327 / V8	1968-1969	2314301-2557817	36160	31100	N.L.A.	N.L.A.	30353	30530	39015
250 (RH)	327 / V8	1968-1969	2314301-2557817	36160	31100	N.L.A.	N.L.A.	30353	30530	N.L.A.
250 (LH)	327 / V8	1969-1969	2557818-2639854	36160	31100	-	N.L.A.	30353	30530	39015
250 (RH)	327 / V8	1969-1969	2557818-2639854	36160	31100	-	N.L.A.	30353	30530	N.L.A.
250	350 / V8	1977-1977	4768000-4908849	36160	31100	30860	39540	30353	30530	39010
250	350 / V8	1977-1977	4768000-4908849	36160	31100	30860	39540	30353	30530	39015
255 (GM)	350 / V8	1975-1975	4175500-4498700	36160	31100	30860	N.L.A.	30353	30530	39010
255 (GM)	350 / V8	1975-1975	4175500-4498700	36160	31100	30860	N.L.A.	30353	30530	39015
255 (GM)	350 / V8	1976-1976	4498701-4767999	36160	31100	30860	39540	30353	30530	39015
255 (GM)	350 / V8	1976-1976	4498701-4767999	36160	31100	30860	39540	30353	30530	39015
255 MIE	350 / V8	1975-1980	4175500-5907057	36160	31100	30860	39540	30353	30530	39010
260	350 / V8	1978-1982	4908850-6218461	36160	31100	30860	39540	30353	30530	39010
260	350 / V8	1978-1982	4908850-6218461	36160	31100	30860	39540	30353	30530	39015
260	350 / V8	1983-1986	6218462-0B525981	36160	31100	30860	39540	30353	30530	39010
260	350 / V8	1983-1986	6218462-0B525981	36160	31100	30860	39850	30353	30530	39015
260	350 / V8	1987-1987	0B525982-0B773304	36160	31100	30860	39850	30357	30530	39017
260	350 / V8	1987-1987	0B525982-0B773304	36160	31100	30860	39850	30357	30530	-
260 MIE	350 / V8	1981-1986	5907058-0B522505	36160	31100	30860	39850	30353	30530	39010
260 MIE	350 / V8	1981-1986	5907058-0B522505	36160	31100	30860	39540	30353	30530	39010
270	350 / V8	1969-1972	2851074-3077735	36160	31100	-	N.L.A.	30353	30530	N/A
280	350 / V8	1975-1975	4176250-4499390	36160	31100	30860	N.L.A.	30353	30530	N/A
280	350 / V8	1876-1976	4499391-4770199	36160	31100	30860	39540	30353	30530	N/A
300	350 / V8	1985-1986	6668677-0B430367	36160	31100	30860	39850	N.L.A.	30530	N.L.A.
300	350 / V8	1985-1986	6668677-0B430367	36160	31100	30860	39540	N.L.A.	30530	N.L.A.
320 EFI	350 / V8	1987-1989	0A543604-0C622418	36160	31100	30860	39850	N.L.A.	30530	N.L.A.
350 Mag Alpha	350 / V8	1986-1986	0A635178-0B525981	36160	31100	30860	39850	30353	30530	39010
350 Mag Alpha	350 / V8	1987-1995	0B525982-0F600999	36160	31100	30860	39850	30357	30530	39017
350 Mag Alpha	350 / V8	1996-1997	0F601000-0K999999	36160	31100	30860	39940	30357	N.S.S.	39018
350 Mag Alpha EFI (Gen+)	350 / V8	1996-1997	0F800300-0K999999	36160	31100	39540	39940	30357	N.S.S.	39019
350 Mag Bravo MPI	350 / V8	1995-1995	0F415189-0F601999	36160	31100	-	39850	30357	30530	-
350 Mag Bravo MPI (Gen+)	350 / V8	1996-1997	0F602000-0K999999	36160	31100	-	39940	30357	N.S.S.	-
350 Mag EFI Ski	350 / V8	1994-1996	0F215561-0F820706	36160	31100	30860	39940	30357	N.S.S.	39018
350 Mag EFI Ski (Gen+)	350 / V8	1996-1997	0F820707-0K999999	36160	31100	-	39940	30357	N.S.S.	39019
350 Mag MPI (Gen+)	350 / V8	1998-2001	0L010019-0M299999	36160	31100	-	39940	30357	N.S.S.	-
350 Mag MPI (Gen+)	350 / V8	2001-2003	0M300000 & Up	-	31100	-	39940	30357	N.S.S.	39016
350 Mag MPI Horizon	350 / V8	2001-2003	0M300000 & Up	-	31100	-	39940	30357	N.S.S.	39016
350 Mag MPI Horizon MIE (Gen+)	350 / V8	1999-2001	0L304700-0M299999	36160	31100	39540	39940	30357	N.S.S.	-
350 Mag MPI Horizon MIE (Gen+)	350 / V8	2001-2003	0M300000 & Up	-	31100	-	39940	30357	N.S.S.	39016
350 Mag MPI MIE (Gen+)	350 / V8	1998-2001	0L002008-0M299999	36160	31100	-	39940	30357	N.S.S.	-
350 Mag MPI MIE (Gen+)	350 / V8	2001-2003	0M300000 & Up	-	31100	-	39940	30357	N.S.S.	39016
350 Mag MPI Ski	350 / V8	1995-1996	0F350583-0F799999	36160	31100	30860	39940	30357	N.S.S.	-
350 Mag MPI Ski (Gen+)	350 / V8	1998-2003	0L002600 & Up	36160	31100	-	39940	30357	N.S.S.	-
350 Mag Ski	350 / V8	1991-1997	0D505450-0K999999	36160	31100	30860	39940	30357	N.S.S.	39018
5.7L 350 / V8	350 / V8	1988-1995	0B773305-0F600999	36160	31100	30860	39850	30357	30530	39018
5.7L	350 / V8	1988-1995	0B773305-0F600999	36160	31100	30860	39850	30357	30530	-
5.7L	350 / V8	1996-1997	0F601000-0K999999	36160	31100	30860	39940	30357	N.S.S.	39018
5.7L (Gen+)	350 / V8	1998-2003	0L010037 & Up	36160	31100	-	39940	30357	N.S.S.	39016
5.7L EFI	350 / V8	1995-1995	0F225560-0F752399	36160	31100	30860	39850	30357	30530	39017
5.7L EFI	350 / V8	1996-1997	0F752400-0K999999	36160	31100	30860	39940	30357	N.S.S.	39018
5.7L EFI (Gen+)	350 / V8	1998-2003	0L010035 & Up	36160	31100	-	39940	30357	N.S.S.	39016

MerCruiser

ENGINE GASKETS & KITS APPLICATION GUIDE

Model	# Cyl.	Year	Serial No. Range	Cylinder Head Gasket	Exhaust Manifold Gasket	Intake Manifold Gasket	Oil Pan Gasket	Rocker Cover Gasket	Timing Cover Gasket	Overhaul Gasket Set
5.7L EFI MIE (Gen+)	350 / V8	1997-1997	0K040300-0K999999	36160	31100	-	39940	30357	N.S.S.	39019
5.7L MIE	350 / V8	1987-1995	0B522506-0F622099	36160	31100	30860	39850	30357	30530	39017
5.7L MIE	350 / V8	1995-1995	0F622151-0F746099	36160	31100	30860	39850	30357	30530	39017
5.7L MIE	350 / V8	1996-1996	0F622100-0F622150	36160	31100	30860	39940	30357	N.S.S.	39018
5.7L MIE	350 / V8	1996-1997	0F746100-0K999999	36160	31100	30860	39940	30357	N.S.S.	39018
5.7L MIE (Gen+)	350 / V8	1998-2003	0L002003 & Up	36160	31100	-	39940	30357	N.S.S.	-
5.7L Comp Ski	350 / V8	1985-1986	0A338553-0B514626	36160	31100	30860	39540	30353	30530	39010
5.7L Comp Ski	350 / V8	1985-1986	0A338553-0B514626	36160	31100	30860	39850	30353	30530	39010
5.7L Comp Ski	350 / V8	1987-1995	0B514627-0F775199	36160	31100	30860	39850	30357	30530	39017
5.7L Comp Ski	350 / V8	1996-1997	0F775200-0K999999	36160	31100	30860	39940	30357	N.S.S.	39018
5.7L Comp Ski (Gen+)	350 / V8	1998-2003	0L002005 & Up	36160	31100	30860	39940	30357	N.S.S.	39018
5.7LX	350 / V8	1996-1997	0F601000-0K999999	36160	31100	30860	39940	30357	N.S.S.	39018
5.7LX Bravo EFI (Gen+)	350 / V8	1996-1997	0F800300-0K999999	36160	31100	39230	39940	30357	N.S.S.	39019
5.7LX EFI	350 / V8	1996-1997	0F752400-0K999999	36160	31100	30860	39940	30357	N.S.S.	39018
Black Scorpion Ski (Gen+)	350 / V8	1996-2003	0F8000000 & Up	36160	31100	-	39940	30357	N.S.S.	-
233	351 / V8	1975-1975	4173000-4465029	36170	33790	36280	N.L.A.	30470	N.L.A.	N/A
233	351 / V8	1976-1977	4465030-4902304	36170	33790	36280	39500	30470	N.L.A.	N/A
255 (Ford)	351 / V8	1973-1974	3258728-4175499	36170	33790	-	N.L.A.	30470	N.L.A.	N/A
377 Scorpion MCM	377 / V8	2000-2003	0L416146 & Up	36160	31100	-	39940	30357	N.S.S.	-
377 Scorpion Ski (Gen+)	377 / V8	1997-1998	0K000656 & Up	36160	31100	-	39940	30357	N.S.S.	-
MX 6.2L MPI	377 / V8	2000-2001	0L680003 & Up	36160	31100	-	39940	30357	N.S.S.	-
MX 6.2L MPI	377 / V8	2001-2003	0M300000 & Up	-	31100	-	39940	30357	N.S.S.	-
MX 6.2L MPI Horizon	377 / V8	2001-2003	0M300000 & Up	-	31100	-	39940	30357	N.S.S.	-
MX 6.2L MPI Horizon MIE	377 / V8	2001-2003	0M300000 & Up	-	31100	-	39940	30357	N.S.S.	-
MX 6.2L MPI MIE	377 / V8	2001-2003	0M300000 & Up	-	31100	-	39940	30357	N.S.S.	-
325	427 / V8	1969-1972	2278747-3640670	36110	33760	N.L.A.	39490	30350	30440	N/A
325	427 / V8	1972-1972	3640671-3780449	N.L.A.	33760	39170	39490	30350	30440	N/A
330	454 / V8	1977-1981	4623115-6083144	36110	33760	39170	39490	30350	30440	39020
330	454 / V8	1982-1987	6083145-0B816540	36110	33760	39170	39490	30350	30440	-
330 MIE	454 / V8	1977-1980	4623115-5889913	36110	33760	39170	39490	30350	30440	-
330 MIE	454 / V8	1977-1980	4623115-5889913	36110	33760	39170	39490	30350	30440	39020
340 MIE w/B-W	454 / V8	1981-1987	5889914-0B788365	36110	33760	39170	39490	30350	30440	-
340 MIE w/B-W	454 / V8	1981-1987	5889914-0B788365	36110	33760	39170	39490	30350	30440	39020
350 MIE	454 / V8	1974-1976	3780450-4623109	N.L.A.	33760	39170	39490	30350	30440	39020
370 TRS	454 / V8	1978-1985	4179554-6721527	36110	33760	-	39490	30350	30440	-
370 TRS	454 / V8	1985-1987	6721528-0B714586	36110	33760	-	39490	30350	30440	N.L.A.
400 TRS	454 / V8	1980-1986	4179554-0B457644	36110	33760	-	39490	30350	30440	-
420	454 / V8	1987-1989	0A398941-0B622418	36110	33760	-	39490	-	30440	-
425	454 / V8	1990-1992	0B622419-0D725499	36110	33760	-	39490	-	30440	-
425 (Gen V)	454 / V8	1992-1993	0F725500-0D937011	-	33760	-	-	-	-	-
440 TRS	454 / V8	1983-1986	4179554-0B485220	36110	33760	-	39490	-	-	N.L.A.
450 (Gen V)	454 / V8	1995-1996	0F347100-0F347277	-	33760	-	-	-	-	-
454 Mag Alpha	454 / V8	1986-1988	0A631894-0B785148	36110	33760	39170	39490	30350	30440	-
454 Mag Alpha	454 / V8	1986-1988	0A631894-0B785148	36110	33760	39170	39490	30350	30440	39020
454 Mag Bravo	454 / V8	1988-1992	0B721206-0D805068	36110	33760	-	39490	30350	30440	-
454 Mag Bravo (Gen V)	454 / V8	1992-1994	0D805069-0F304999	36180	33760	-	-	30358	-	-
454 Mag Bravo (Gen V)	454 / V8	1995-1996	0F305000-0F801699	36180	33760	-	-	30358	-	-
454 Mag Bravo (Gen V)	454 / V8	1996-1997	0F801700-0K999999	36180	33760	-	-	30358	-	-
454 Mag EFI (Gen V)	454 / V8	1994-1996	0F115700-0F802349	36180	33760	-	-	30358	-	-
454 Mag EFI Ski (Gen V)	454 / V8	1995-1996	0F215800-0F820099	36180	33760	-	-	30358	-	-
454 Mag MPI (Gen V)	454 / V8	1996-2003	0F802350 & Up	36180	33760	-	-	30358	-	-
454 Mag MPI Horizon MIE	454 / V8	1998-2003	0L002200 & Up	36180	33760	-	-	30358	-	-
454 Mag MPI Ski (Gen V)	454 / V8	1996-1997	0F820100-0K999999	36180	33760	-	-	30358	-	-
454 Mag MPI Ski (Gen V)	454 / V8	1996-1997	0F820100-0K999999	36180	33760	-	-	30358	-	-
525 SC	454 / V8	1991-1992	0D456000-0D725808	36110	33760	-	39490	-	30440	-
525 SC (Gen V)	454 / V8	1992-1996	0D763746-0F348963	-	33760	-	-	-	-	-
525 SC (Gen V)	454 / V8	1996-1996	0F615814-0F745215	-	33760	-	-	30358	-	-
525 SC (Gen V)	454 / V8	1996-1997	0F745260 & Up	-	33760	-	-	30358	-	-
7.4L Bravo	454 / V8	1988-1991	0B771113-0D603117	36110	33760	39170	39490	30350	30440	-
7.4L Bravo I/II (Gen V)	454 / V8	1992-1996	0D603118-0F800699	36180	33760	-	-	30358	-	-
7.4L Bravo III (Gen V)	454 / V8	1992-1996	0D603118-0F800699	36180	33760	-	-	30358	-	-
7.4L Bravo (Gen VI)	454 / V8	1996-1997	0F800700-0K999999	36180	33760	-	-	30358	-	-
7.4L EFI MIE (Gen V)	454 / V8	1996-1997	0F874815-0K999999	36180	33760	-	-	30358	-	-
7.4L MIE	454 / V8	1988-1992	0B788366-0D715493	36110	33760	39170	39490	30350	30440	-
7.4L MIE	454 / V8	1988-1992	0B788366-0D715493	36110	33760	39170	39490	30350	30440	39020
7.4L MIE (Gen V)	454 / V8	1992-1996	0D715494-0F820141	36180	33760	-	-	30358	-	-
7.4L MIE (Gen VI)	454 / V8	1996-1997	0F820142-0K999999	36180	33760	-	-	30358	-	-
7.4L MPI (L29-Gen VI)	454 / V8	1998-2003	0L010003 & Up	36180	33760	-	-	30358	-	-

MerCruiser

OIL SEALS SHAFT & BORE SIZE

Table By OEM Numbers

GLM No.	OEM No.	Shaft Size	Bore Size	GLM No.	OEM No.	Shaft Size	Bore Size
85700	26-12224	1.1875	1.6875	85800	26-48443	0.7500	1.3750
85820	26-12709	0.5000	0.6875	85440	26-55682	1.0000	1.2500
85130	26-14077	1.1875	1.6875	85460	26-56397	0.7500	1.1250
85790	26-14240	3.7500	4.5000	85480	26-56788	0.8750	1.2500
85040	26-16977	0.8750	1.2500	85500	26-62818	1.6250	2.2500
86730	26-18816	1.6875	2.2500	85011	26-66302	0.8750	1.3750
86590	26-20070	0.6250	1.0000	85120	26-69188	0.8750	1.2500
85210	26-23517	0.7500	1.2500	85520	26-69189	0.8750	1.3125
85680	26-24590	0.3750	0.5625	85530	26-70081	1.1875	1.7500
85110	26-26226	1.0000	1.5000	85810	26-72785	0.7500	1.8750
85100	26-26805	0.6875	1.1250	85130	26-76868	1.1875	1.6875
85100	26-27163	0.6875	1.1250	85580	26-79831	0.7500	1.1250
85260	26-30530	0.5625	1.0000	85370	26-805080	2.5000	3.1875
85270	26-30913	0.4375	0.8360	85581	26-816646-1	0.3750	0.7500
85290	26-32121	0.7500	1.0000	85510	26-821092	1.5000	2.2500
85020	26-32511	1.2500	2.0000	85030	26-823894	2.2500	3.0000
85440	26-32911	1.0000	1.2500	85050	26-89236-1	0.3750	0.7500
85330	26-33467	0.6250	1.1250	85070	26-89238	0.8750	1.5000
85160	26-43035	1.0312	1.4688	85080	26-90562	0.7500	1.2500
85170	26-43036	1.0312	1.4688	85600	26-94038	1.0000	1.5000
85010	26-41953	1.1875	1.8750	85610	26-96063	0.4375	0.8750
85140	26-45577-1	0.3125	0.4375	85060	26-96503-1	0.8750	1.3750
85380	26-45587	0.3750	0.6250	85100	26-99325	0.6875	1.1250

Table By Shaft Size

GLM No.	OEM No.	Shaft Size	Bore Size	GLM No.	OEM No.	Shaft Size	Bore Size
85140	26-45577-1	0.3125	0.4375	85060	26-96503-1	0.8750	1.3750
85050	26-89236-1	0.3750	0.7500	85070	26-89238	0.8750	1.5000
85380	26-45587	0.3750	0.6250	85120	26-69188	0.8750	1.2500
85581	26-816646-1	0.3750	0.7500	85480	26-56788	0.8750	1.2500
85680	26-31249	0.3750	0.5625	85520	26-69189	0.8750	1.3125
85270	26-30913	0.4375	0.8360	85110	26-26226	1.0000	1.5000
85610	26-96063	0.4375	0.8750	85440	26-32911	1.0000	1.2500
85820	26-12709	0.5000	0.6875	85440	26-55682	1.0000	1.2500
85260	26-30530	0.5625	1.0000	85600	26-94038	1.0000	1.5000
85330	26-33467	0.6250	1.1250	85170	26-43036	1.0312	1.4688
86590	26-20070	0.6250	1.0000	85160	26-43035	1.0312	1.4688
85100	26.26805	0.6875	1.1250	85010	26-41953	1.1875	1.8750
85100	26-27163	0.6875	1.1250	85130	26-14077	1.1875	1.6875
85100	26-99325	0.6875	1.1250	85130	26-76868	1.1875	1.6875
85080	26-90562	0.7500	1.2500	85530	26-70081	1.1875	1.7500
85210	26-23517	0.7500	1.2500	85700	26-12224	1.1875	1.6875
85290	26-32121	0.7500	1.0000	85020	26-32511	1.2500	2.0000
85460	26-56397	0.7500	1.1250	85510	26-821092	1.5000	2.2500
85580	26-79831	0.7500	1.1250	85500	26-62818	1.6250	2.2500
85800	26-48443	0.7500	1.3750	86730	26-18816	1.6875	2.2500
85810	26-72785	0.7500	1.8750	85030	26-823894	2.2500	3.0000
85011	26-66302	0.8750	1.3750	85370	26-805080	2.5000	3.1875
85040	26-16977	0.8750	1.2500	85790	26-14240	3.7500	4.5000

MerCruiser

OIL SEAL APPLICATIONS

Model	Serial No. Range	GLM No.	Qty.	Model	Serial No. Range	GLM No.	Qty.
MR, Alpha I	6225577 - To Date	85130 (A)	2	160/165	2065190 - To Date	85050 (D)	1
R, MR, Alpha I	6225577 - To Date	85050 (D)	1	160/165	2065190 - To Date	85070 (F)	1
R, MR, Alpha I	6225577 - To Date	85070 (F)	1	160/165	2065190 - To Date	85130 (A)	2
MR, Alpha I	6225577 - To Date	85040 (G)	1	160/165	2065190 - 4890459	85040 (H)	1
R	6225577 - To Date	85040 (G)	1	160/165	2065190 - To Date	85040 (G)	1
Alpha I SS	All	85070 (F)	1	225 S	3856268 - 4200499	85040 (G)	1
Alpha I SS	All	85050 (D)	1	225 S	3856268 - 4200499	85070 (F)	1
Alpha I SS	All	85040 (G)	1	225 S	3856268 - 4200499	85130 (A)	2
Alpha I SS	All	85130 (A)	2	225 S	3856268 - 4200499	85050 (D)	1
Bravo I	B664190 - To Date	85130 (A)	2	233	4200500 - To Date	85050 (D)	1
I	1534570 - 1536617	85050 (E)	1	233	4200500 - To Date	85040 (G)	1
I	1534570 - 1684187	85050 (D)	1	233	4200500 - To Date	85130 (A)	2
I	1534570 - 1684187	85130 (A)	2	233	4300500 - To Date	85070 (F)	1
I	1534570 - 1684187	85040 (H)	1	250	4791300 - 4898729	85040 (G)	1
I	1536618 - 1684187	85070 (E)	1	250	4791300 - 4898729	85070 (F)	1
I	1563354 - 1684187	85040 (E)	1	250	4791300 - 4898729	85130 (A)	2
IA, IB, IC	1684188 - 2065189	85070 (E)	1	250	4791300 - 4898729	85050 (D)	1
IA, IB, IC	1684188 - 2065189	85130 (A)	2	255 TRS	3377316 - 4203749	85130 (A)	2
IA, IB, IC	1684188 - 2065189	85040 (E)	1	260	4898730 - 6225576	85050 (D)	1
IA, IB, IC	1684188 - 2065189	85040 (H)	1	260	4898730 - 6225576	85130 (A)	2
IA, IB, IC	1684188 - 2065189	85050 (D)	1	260	4898730 - 6225576	85040 (G)	1
TRS	4794900 - To Date	85130 (A)	2	260	4898730 - 6225576	85070 (F)	1
60	1830753 - 2063740	85050 (D)	1	280 TRS	4203750 - 4895399	85130 (A)	2
60	1830753 - 2063740	85080 (F)	1	470	4208730 - 6225576	85050 (D)	1
60	1830753 - 2063740	85580 (G)	1	470	4208730 - 6225576	85070 (F)	1
60	1830753 - 2063740	85210 (C)	1	470	4208730 - 6225576	85130 (A)	2
60	1830753 - 2063740	85080 (B)	1	470	4208730 - 6225576	85040 (G)	1
80	2063741 - 2895029	85130 (A)	2	485	4893835 - To Date	85130 (A)	2
80	2063741 - 2895029	85050 (D)	1	485	4893835 - To Date	85050 (D)	1
80	2063741 - 2895029	85580 (G)	1	485	4893835 - To Date	85040 (G)	1
80	2063741 - 2895029	85080 (F)	1	485	4893835 - To Date	85070 (F)	1
90	2898020 - 3225967	85050 (D)	1	888	3106717 - To Date	85070 (F)	1
90	2898020 - 3225967	85130 (A)	2	888	3106717 - To Date	85050 (D)	1
90	2898020 - 3225967	85080 (F)	1	888	3106717 - To Date	85040 (H)	1
90	2898020 - 3225967	85580 (G)	1	888	3106717 - To Date	85040 (G)	1
120/140	2062141 - 6225576	85040 (G)	1	888	3106717 - To Date	85130 (A)	2
120/140	2062141 - 4893634	85040 (H)	1	898/228	4782330 - 6225576	85070 (F)	1
120/140	2062141 - 6225576	85070 (F)	1	898/228	4782330 - 6225576	85040 (G)	1
120/140	2062141 - 6225576	85050 (D)	1	898/228	4782330 - 6225576	85050 (D)	1
120/140	2062141 - 6225576	85130 (A)	2	898/228	4782330 - 6225576	85130 (A)	2

(A) Prop Shaft Seal (C) Prop Shaft Outer Seal (E) Water Pump Base Seal (G) Water Pump Base Upper Seal
 (B) Prop Shaft Inner Seal (D) Shift Shaft Bushing Seal (F) Water Pump Base Lower Seal (H) Water Pump Body Seal

DRIVE SHAFT HOUSING SEALS APPLICATIONS

Model	Serial No. Range	GLM No.	Qty.	Model	Serial No. Range	GLM No.	Qty.
R, MR, Alpha I	6225577 - To Date	85030 (A)	1	250	4791300 - 4898729	85020 (B)	1
Alpha I SS	All	85030 (A)	1	250	4791300 - 4898729	85030 (A)	1
Alpha I SS	All	85060 (C)	1	250	4791300 - 4898729	85060 (C)	1
Alpha I SS	All	85020 (B)	1	260	4898730 - 6225576	85020 (B)	1
IA, IB, IC	1684188 - 2065189	85030 (A)	1	260	4898730 - 6225576	85060 (C)	1
I, IA, IB, IC	1534570 - 2065189	85020 (B)	1	260	4898730 - 6225576	85030 (A)	1
IA, IB, IC	1749276 - 2065189	85060 (C)	1	470	4208730 - 6225576	85060 (C)	1
II	1474909 - 2671321	85030 (A)	1	470	4208730 - 6225576	85030 (A)	1
120/140	2062141 - 6225576	85030 (A)	1	470	4208730 - 6225576	85020 (B)	1
120/140	2062141 - 6225576	85060 (C)	1	485	4893835 - To Date	85030 (A)	1
120/140	2062141 - 6225576	85020 (B)	1	485	4893835 - To Date	85020 (B)	1
160/165	2065190 - To Date	85030 (A)	1	485	4893835 - To Date	85060 (C)	1
160/165	2065190 - To Date	85020 (B)	1	888	3106717 - To Date	85060 (C)	1
160/165	2065190 - To Date	85060 (C)	1	888	3106717 - To Date	85020 (B)	1
225 S	3856268 - 4200499	85050 (C)	1	888	3106717 - To Date	85030 (A)	1
225 S	3856268 - 4200499	85020 (B)	1	898/228	4782330 - 6225576	85020 (B)	1
225 S	3856268 - 4200499	85030 (A)	1	898/228	4782330 - 6225576	85030 (A)	1
233	4200500 - To Date	85020 (B)	1	898/228	4782330 - 6225576	85060 (C)	1
233	4200500 - To Date	85030 (A)	1				
233	4200500 - To Date	85060 (C)	1				

(A) Bearing Carrier Seal (B) Gear Chamber Seal (C) Lower Drive Shaft Seal

MerCruiser

O-RINGS

GLM	OEM	I.D.	O.D.	W.	GLM	OEM	I.D.	O.D.	W.	GLM	OEM	I.D.	O.D.	W.
Table By OEM Numbers														
82340	25-20081	2	3-1/4	1/8	82150	25-35027	1-1/16	1-5/16	1/8	81100	25-62704	3/8	9/16	3/32
80070	25-16524	5/32	9/32	1/16	82350	25-35029	3-1/8	3-3/8	1/8	80180	25-62705	3/4	7/8	1/16
82280	25-20826	2-1/4	2-1/2	1/8	82100	25-35276	3/4	1	1/8	80430	25-62706	3-1/2	3-5/8	1/16
82310	25-20863	2-5/8	2-7/8	1/8	81240	25-35480	1-1/4	1-7/16	3/32	84190	25-62817	3-3/4	4-17/20	11/40
82110	25-21836	13/16	1-1/16	1/8	81175	25-36318	13/16	1	3/32	80330	25-64067	2	2-1/8	1/16
82140	25-32145	1	1-1/4	1/8	81070	25-36390	11/16	13/16	1/16	80440	25-64966	3-3/4	3-7/8	1/16
81180	25-25439	7/8	1-1/16	3/32	82270	25-38099	2-1/8	2-3/8	1/8	81250	25-65936	1-5/16	1-1/2	3/32
81080	25-26543	1/4	7/16	3/32	81150	25-38101	11/16	7/8	3/32	82480	25-67202	4-3/4	5	1/8
82240	25-26722	1-3/4	2	1/8	80090	25-38933	7/32	11/32	1/16	80410	25-67206	3	3-1/8	1/16
81110	25-26802	7/16	5/8	3/32	82440	25-39695	4-1/4	4-1/2	1/8	81470	25-69202	2-11/16	2-7/8	3/32
82230	25-26855	1-5/8	1-7/8	1/8	82710	25-42357	9-1/4	9-1/2	1/8	83465	25-69201	4-1/8	4-1/2	3/16
81230	25-29439	1-3/16	1-3/8	3/32	80140	25-45253	1/2	5/8	1/16	82380	25-70937	3-1/2	3-3/4	1/8
81190	25-29845	15/16	1-1/8	3/32	80160	25-45254	5/8	3/4	1/16	82530	25-805197	5-3/8	5-5/8	1/8
83415	25-29976	3-1/2	3-7/8	3/16	80290	25-45257	1-1/2	1-5/8	1/16	82425	25-805331	4	4-1/14	1/8
82250	25-30224	1-7/8	2-1/8	1/8	81140	25-45711	5/8	13/16	3/32	81420	25-822370	2-3/8	2-9/16	3/32
81360	25-30529	2	2-3/16	3/32	82390	25-47254	3-5/8	3-7/8	1/8	45250	25-82275M	41.5mm	47.5mm	3mm
81160	25-30613	3/4	15/16	3/32	81220	25-47632	1-1/8	1-5/16	3/32	45260	25-82289M	66mm	76.6mm	5.30mm
82360	25-31305	3-1/4	3-1/2	1/8	80120	25-48171	3/8	1/2	1/16	45280	25-84054M	40mm	44.8mm	2.4mm
83445	25-31534	3-7/8	4-1/4	3/16	82120	25-48452	7/8	1-1/8	1/8	45270	25-811175M	62mm	70mm	4mm
83345	25-31986	2-5/8	3	3/16	80160	25-48462	5/8	3/4	1/16	83330	25-85549	2-1/2	2-7/8	3/16
80140	25-32509	1/2	5/8	1/16	80380	25-53421	2-5/8	2-3/4	1/16	82900	25-85594	1/4	19/32	11/64
80420	25-32546	3-1/4	3-3/8	1/16	81430	25-54029	2-7/16	2-5/8	3/32	82050	25-88198	7/16	11/16	1/8
82260	25-33145	2	2-1/4	1/8	81510	25-54030	3	3-3/16	3/32	81530	25-89497	3-1/2	3-11/16	3/32
81430	25-33465	2-7/16	2-5/8	3/32	80190	25-55801	13/16	15/16	1/16	81390	25-90011	2-3/16	2-3/8	3/32
81260	25-33466	1-3/8	1-9/16	3/32	80230	25-58390	1-1/16	1-3/16	1/16	80390	25-93211	2-3/4	2-7/8	1/16
82200	25-33504	1-3/8	1-5/8	1/8	80350	25-62457	2-1/4	2-3/8	1/16	*84026	25-94288	1-1/14	1-3/8	1/16
82400	25-33756	3-3/4	4	1/8	81520	25-62700	3-1/4	3-7/16	3/32	81570	25-97387	4-1/2	4-11/16	3/32
83505	25-34821	4-5/8	5	3/16	80115	25-62702	5/16	7/16	1/16	82060	25-99691	1-1/2	3/4	1/8
Table By Nominal Size														
81030	25-29619	3/32	9/32	3/32	81230	25-29439	1-3/16	1-3/8	3/32	80410	25-67206	3	3-1/8	1/16
80070	25-16524	5/32	9/32	1/16	81240	25-35480	1-1/4	1-7/16	3/32	81510	25-54030	3	3-3/16	3/32
80090	25-38933	7/32	11/32	1/16	*84026	25-94288	1-1/14	1-3/8	1/16	82340	25-20081	3	3-1/4	1/8
81080	25-26543	1/4	7/16	3/32	81250	25-65936	1-5/16	1-1/12	3/32	82350	25-35029	3-1/8	3-3/8	1/8
82900	25-85594	1/4	19/32	11/64	81260	25-33466	1-3/8	1-9/16	3/32	80420	25-32546	3-1/4	3-3/8	1/16
80115	25-62702	5/16	7/16	1/16	82200	25-33504	1-3/8	1-5/8	1/8	81520	25-62700	3-1/4	3-7/16	3/32
80120	25-48171	3/8	1/2	1/16	81270	25-45710	1-7/16	1-5/8	3/32	82360	25-31305	3-1/4	3-1/2	1/8
81100	25-62704	3/8	9/16	3/32	80290	25-45257	1-1/2	1-5/8	1/16	80430	25-62706	3-1/2	3-5/8	1/16
81110	25-26802	7/16	5/8	3/32	82060	25-99691	1-1/2	3/4	1/8	81530	25-89497	3-1/2	3-11/16	3/32
82050	25-88198	7/16	11/16	1/8	82230	25-26855	1-5/8	1-7/8	1/8	82380	25-70937	3-1/2	3-3/4	1/8
80140	25-32509	1/2	5/8	1/16	82240	25-26722	1-3/4	2	1/8	83415	25-29976	3-1/2	3-7/8	3/16
80160	25-48462	5/8	3/4	1/16	82250	25-30224	1-7/8	2-1/8	1/8	82390	25-47254	3-5/8	3-7/8	1/8
81140	25-48462	5/8	3/4	1/16	80330	25-64067	2	2-1/8	1/16	80440	25-64966	3-3/4	3-7/8	1/16
80170	25-36390	11/16	13/16	1/16	81360	25-30529	2	2-3/16	3/32	82400	25-33756	3-3/4	4	1/8
81150	25-38101	11/16	7/8	3/32	82260	25-33145	2	2-1/4	1/8	84190	25-62817	3-3/4	4-17/20	11/40
80180	25-62705	3/4	7/8	1/16	82270	25-38099	2-1/8	2-3/8	1/8	83445	25-31534	3-7/8	4-1/4	3/16
81160	25-30613	3/4	15/16	3/32	81390	25-90011	2-3/16	2-3/8	3/32	82425	25-905331	4	4-1/4	1/8
82100	25-35276	3/4	1	1/8	80350	25-62457	2-1/4	2-3/8	1/16	83465	25-69201	4-1/8	4-1/2	3/16
80190	25-55801	13/16	15/16	1/16	82280	25-20826	2-1/4	2-1/2	1/8	82440	25-39695	4-1/4	4-1/2	1/8
81175	25-36318	13/16	1	3/32	81420	25-822370	2-3/8	2-9/16	3/32	81570	25-97387	4-1/2	4-11/16	3/32
82110	25-21836	13/16	1-1/16	1/8	81430	25-33465	2-7/16	2-5/8	3/32	83505	25-34821	4-5/8	5	3/16
81180	25-25439	7/8	1-1/16	3/32	81430	25-54029	2-7/16	2-5/8	3/32	82480	25-67202	4-3/4	5	1/8
82120	25-48452	7/8	1-1/8	1/8	83330	25-85549	2-1/2	2-7/8	3/16	82530	25-805197	5-3/8	5-5/8	1/8
81190	25-29845	15/16	1-1/8	3/32	80380	25-53421	2-5/8	2-3/4	1/16	82710	25-42357	9-1/4	9-1/2	1/8
82140	25-23145	1	1-1/4	1/8	82310	25-20863	2-5/8	2-7/8	1/8	45280	25-84054M	40mm	44.8mm	2.4mm
80230	25-58390	1-1/16	1-3/16	1/16	83345	25-31986	2-5/8	3	3/16	45250	25-82275M	41.5mm	47.5mm	3mm
82150	25-35027	1-1/16	1-5/16	1/8	81470	25-69202	2-11/16	2-7/8	3/32	45270	25-811175M	62mm	70mm	4mm
81220	25-47632	1-1/8	1-5/16	3/32	80390	25-92311	2-3/4	2-7/8	1/16	45260	25-82289M	66mm	76.6mm	5.30mm

* Quad Ring



Model / Year / Serial Number

GASOLINE ENGINE					
Model	Make	CID	Cylinders	Model Year	Serial No.
60	Renault	68	I/L 4	1965-1968	1887079-2049044
80	Renault	80	I/L 4	1966-1969	2049045-2851423
90	Renault	96	I/L 4	1970-1972	2851424-3226957
110	GM	153	I/L 4	1963-1966	1537370-2044033
120	GM	153	I/L 4	1964-1972	1666601-3377340
120	GM	153	I/L 4	1972-1978	3377341-5192048
120	GM	153	I/L 4	1979-1982	5192049-6229717
120/2.5L	GM	153	I/L 4	1983-1989	6229718-0B531853
140	GM	181	I/L 4	1968-1972	2508261-3332137
140	GM	181	I/L 4	1972-1978	3332138-5157668
140	GM	181	I/L 4	1979-1982	5157669-6229717
140/3.0L	GM	181	I/L 4	1982-1989	6229718-0C856558
3.0L/LX	GM	181	I/L 4	1990-1995	0C856559-0F603999
3.0LX	GM	181	I/L 4	1996	0G604000 and up
140	GM	194	I/L 6	1963	1538930-1725960
470 (2bbl.)	Mercury	224	I/L 4	1976-1979	4208730-5520114
470 (2bbl.)	Mercury	224	I/L 4	1980-1982	5520115-6218036
470 (2bbl.)	Mercury	224	I/L 4	1983-1984	6218037-6916778
170 (2bbl.)	Mercury	224	I/L 4	1985-1986	6916779 and up
165/3.7L (2bbl.)	Mercury	224	I/L 4	1987-1989	6916779 and up
485 (2bbl.)	Mercury	224	I/L 4	1980-1982	5685394-6218036
488 (4bbl.)	Mercury	224	I/L 4	1983-1984	6170297-6916778
190 (4bbl.)	Mercury	224	I/L 4	1985-1986	6916779 and up
180/3.7LX (4bbl.)	Mercury	224	I/L 4	1987-1989	6916779 and up
185 (4bbl.)	GM	229	V6	1983-1984	6330183-6919655
150	GM	230	I/L 6	1964-1966	1666495-2048046
160	GM	250	I/L 6	1967-1969	2048022-2770031
165	GM	250	I/L 6	1970-1978	2770032-5178958
165	GM	250	I/L 6	1979-1981	5178959-5813433
185 (2bbl.)	GM	262	V6	1985-1987	0A331455-0B527954
175/4.3L (2bbl.)	GM	262	V6	1987-1992	0B527955-0D714106
4.3L (GEN II)(2bbl.)	GM	262	V6	1992-1993	0D714107-0F000877
4.3L (GEN II)(2bbl.)	GM	262	V6	1993-1995	0F000878-0F601126
4.3L (GEN II)(2bbl.)	GM	262	V6	1996	0F601127-0F802999
4.3LX (GEN+)(2bbl.)	GM	262	V6	1996	0F803000 and up
205 (4bbl.)	GM	262	V6	1985-1987	0A331455-0B527954
205/4.3LX (4bbl.)	GM	262	V6	1987-1991	0B527955-0D714369
4.3L (GEN II)(4bbl.)	GM	262	V6	1992-1993	0D714370-0F001219
4.3L (GEN II)(4bbl.)	GM	262	V6	1993-1995	0F001220-0F601126
4.3L (GEN II)(4bbl.)	GM	262	V6	1996	0F601127-0F802999
4.3LXH (GEN+)(4bbl.)	GM	262	V6	1996	0F803114 and up
190	GM	283	V8	1963-1964	1564539-1730903
200	GM	292	I/L 6	1969	2453769-2712072
888 (2bbl.)	Ford	302	V8	1971-1977	3108723-4887829
215 (4bbl.)	Ford	302	V8	1970-1972	2781153-3385720
225 (4bbl.)	Ford	302	V8	1973-1974	3385721-4166999
225-S (4bbl.)	Ford	302	V8	1973-1974	3385721-4166999
898 (2bbl.)	GM	305	V8	1977-1982	4762210-6218461
898 (2bbl.)	GM	305	V8	1983-1984	6218462-0B525981
200 (2bbl.)	GM	305	V8	1985-1986	6218462-0B525981
200/5.0L (2bbl.)	GM	305	V8	1987-1995	0B525982-0F600999
228 (4bbl.)	GM	305	V8	1977-1978	4765100-5170008
228 (4bbl.)	GM	305	V8	1979-1982	5170009-6218461
228 (4bbl.)	GM	305	V8	1982-1984	6218462-0B525981
230 (4bbl.)	GM	305	V8	1985-1986	6218462-0B525981
230/5.0LX (4bbl.)	GM	305	V8	1987-1995	0B525982-0F600999
225	GM	305	V8	1963-1966	1539620-2278646
225	GM	327	V8	1967-1969	2278647-2694014
250	GM	327	V8	1968-1969	2314301-2639854
255	GM	327	V8	1975-1976	4175500-4767999
250	GM	350	V8	1977	4768000-4908849
260	GM	350	V8	1978-1982	4908850-6218461
260	GM	350	V8	1982-1986	6218462-0B525981

Model / Year / Serial Number

GASOLINE ENGINE

Model	Make	CID	Cylinders	Model Year	Serial No.
260	GM	350	V8	1982-1986	6218462-0B525981
260/5.7L	GM	350	V8	1987-1995	0B525982-0F600999
5.7L Alpha (2bbl.)	GM	350	V8	1996	0F601000 and up
5.7L Alpha (EFI) TBI	GM	350	V8	1995	0F355305-0F752399
5.7L Alpha (2bbl. - TBI)	GM	350	V8	1996	0F752400 and up
5.7LX Alpha (4bbl.)	GM	350	V8	1996	0F601000 and up
5.7LX Alpha (4bbl. - TBI)	GM	350	V8	1996	0F752400 and up
5.7I Bravo	GM	350	V8	1989-1995	0B525982-0F600999
5.7I Bravo (2bbl.)	GM	350	V8	1996	0F601000 and up
5.7L Bravo (EFI) TBI	GM	350	V8	1995	0F225560-0F752399
5.7L Bravo (2bbl. - TBI)	GM	350	V8	1996	0F752400 and up
5.7LX Bravo (4bbl.)	GM	350	V8	1996	0F60100 and up
5.7LX Bravo (4bbl. - TBI)	GM	350	V8	1996	0F752400 and up
5.7LX Bravo (TBI)(Gen+)	GM	350	V8	1996	0F800300 and up
350 Mag. Alpha	GM	350	V8	1986-1987	0A635178-0B525981
350 Mag. Alpha	GM	350	V8	1987-1995	0B525982-0F600999
350 Mag. Alpha (4bbl.)	GM	350	V8	1996	0F601000 and up
350 Mag. Alpha (TBI)(Gen+)	GM	350	V8	1996	0F800300 and up
350 Mag. Bravo (MPI)	GM	350	V8	1995	0F415189-0F601999
350 Mag. Bravo (MPI)(Gen+)	GM	350	V8	1996	0F602000 and up
270	GM	350	V8	1969-1972	2851074-3385720
280TRS	GM	350	V8	1975-1976	4176250-4770199
300 Tempest	GM	350	V8	1985-1986	6668677-0B430367
320 (EFI)	GM	350	V8	1987	0A543604-0B157602
320 (EFI)	GM	350	V8	1988-1989	0B157603-0C622418
233	Ford	351	V8	1975-1977	4173000-4902304
255	Ford	351	V8	1973-1974	3258728-4175499
325	GM	427	V8	1969-1972	2278747-3780449
330	GM	454	V8	1977-1981	4623115-6083144
330	GM	454	V8	1982-1987	6083145-0B816540
7.4L Bravo	GM	454	V8	1988-1991	0B771113-0D603117
7.4LX Bravo (Gen.V)	GM	454	V8	1992-1996	0D603118-0F800699
7.4LX Bravo (MP)	GM	454	V8	1996	0F602010 and up
454 Mag. Alpha	GM	454	V8	1986-1988	0A631894-0B785148
454 Mag. Bravo	GM	454	V8	1988-1992	0B721206-0D805068
454 Mag. Bravo (Gen.V)	GM	454	V8	1992-1994	0D805069-0F304999
454 Mag. Bravo (Gen.V)	GM	454	V8	1995-1996	0F305000-0F801699
454 EFI (Gen.V)	GM	454	V8	1994-1996	0F115700-0F802349
370 TRS	GM	454	V8	1978-1985	4179554-6721527
370 TRS	GM	454	V8	1985-1987	6721528-0B714586
400 TRS	GM	454	V8	1980-1986	4179554-0B457644
420	GM	454	V8	1987-1989	0A398941-0B622418
425	GM	454	V8	1990-1992	0A398941-0B622418
425 (Gen.V)	GM	454	V8	1992-1993	0A398941-0B622418
440TRS	GM	454	V8	1983-1986	4179554-0B485220
450 (Gen.V)	GM	454	V8	1995	0F347100-0F615761
525 SC	GM	454	V8	1991-1992	0D456000 and up
525 SC (Gen.V)	GM	454	V8	1992-1995	0D456000 and up
390	GM	482	V8	1969-1970	2781129-3042731
460 TRS	GM	482	V8	1983-1986	4179554-6181046
465	GM	502	V8	1990-1992	0C84992-0F213244
465 (Gen.V)	GM	502	V8	1992-1994	0C84992-0F213244
500 (Gen.V)	GM	502	V8	1994-1995	0F213293 and up
502 Mag. Bravo	GM	502	V8	1990-1992	0C878221-0D824588
502 Mag. Bravo (Gen.V)	GM	502	V8	1992-1993	0D824589-0F114528
502 EFI (Gen.V)	GM	502	V8	1993-1995	0D840650-0F802599
600 SC	GM	502	V8	1991-1992	0D456489 and up
600 SC (Gen.V)	GM	502	V8	1992-1996	0D456489 and up
500	GM	540	V8	1990-1996	0C577254 and up
575	GM	540	V8	1986-1992	0A677429-0D763716



Model / Year / Serial Number

INBOARD GASOLINE ENGINE						STERN DRIVE		
Model	Make	CID	CYL.	Year	Serial No.	Model	Year	Serial No.
470 MIE	Mer.	224	I/L 4	1980-1981	5520115-6218036	60	1965-1966	1830753-2063740
215 MIE	Ford	302	V-8	1970-1972	2781153-3563181	80	1966-1969	2063741-2898029
225 MIE	Ford	302	V-8	1973-1974	3385721-4176999	90	1970-1972	2898030-3225967
198 MIE (2bbl.)	GM	305	V-8	1977	4762210-6218461	I	1963	1534570-1684187
228 MIE (4bbl.)	GM	305	V-8	1977-1978	4765100-5170008	1A/1B/1C	1964	1684188-1777798
228 MIE (4bbl.)	GM	305	V-8	1979-1980	5170009-5907057	1A/1B/1C (EZ-Shift)	1965-1966	1776349-2065189
230 MIE (4bbl.)	GM	305	V-8	1981-1986	5907058-0B522505	120/140	1967-1969	2062141-2791956
230/5.0L MIE (4bbl.)	GM	305	V-8	1987-1995	0B522506-0B788151	120/140	1970-1977	2791957-4893634
225 MIE	GM	327	V-8	1968	2278647-2694014	120/140	1978-1982	4893635-6225576
250 MIE	GM	327	V-8	1968-1969	2314301-2639854	160	1967-1969	2065190-273441
255 MIE	GM	350	V-8	1975-1978	4175500-5195908	165	1970-1977	2763442-4890459
255 MIE	GM	350	V-8	1979-1980	5195909-5907057	165	1978-1981	4890460 and up
260 MIE	GM	350	V-8	1981-1986	5907058-0B522505	II	1962-1963	1474909-1602185
260/5.7 MIE	GM	350	V-8	1987-1993	0B522506-0F024999	II	1964-1967	1602186-2278488
5.7L MIE	GM	350	V-8	1994-1995	0F025000 and up	II (1.78:1)	1968-1969	2398798-2671321
5.7L MIE	GM	350	V-8	1996	0F622100-0F622150	III	1968-1972	2373127-3002613
					0F746100 and up	215H	1970	2782203-2909034
5.7L (SKI) MIE	GM	350	V-8	1985-1987	0A338533-0B514626	215E	1970-1972	2909035-2915034
5.7L (COMP. SKI)	GM	350	V-8	1987-1995	0B514627-0F775199	888	1971-1977	3106717 and up
5.7L (COMP. SKI)(2bbl.)	GM	350	V-8	1996	0F775200 and up	898/228	1977	4782330-4898729
350 Mag. (SKI) CARB	GM	350	V-8	1991-1995	0D505450 and up	898/228	1978-1982	4898730-6225576
350 Mag. (SKI) 9EFI)TBI	GM	350	V-8	1994-1996	0F215561 and up	225-S	1974	3856268-4200499
350 Mag. (SKI) 9EFI)MPI	GM	350	V-8	1995-1996	0F350583 and up	233	1975-1977	4200500 and up
Black Scorpion (GEN+)	GM	350	V-8	1996	0F800000 and up	250	1977	4791300-4898729
270 MIE	GM	350	V-8	1969-1972	2851074-3077735	II-TR	1973-1976	3377316-4794899
233 MIE	GM	351	V-8	1975-1976	4173000-4775784	260	1978-1982	4898730-6225576
255 MIE	GM	351	V-8	1973-1974	3258728-4178299	255-TRS	1973-1974	3377316-4203749
325 MIE	GM	427	V-8	1968-1974	2278747-3780449	280-TRS	1975-1976	4203750-4895399
330 MIE	GM	454	V-8	1977-1980	4623115-5889913	470	1976-1977	4208730-4893934
340/7.4l MIE w/B/W	GM	454	V-8	1981-1992	5889914-0D715493	470	1978-1882	4893835-6225576
7.4L MIE w/Hurth	GM	454	V-8	1989-1992	0C391564-0D715493	485	1980-1982	4893835 and up
7.4L MIE (LH) Gen.V	GM	454	V-8	1992-1996	0D715494-0F820141	R/MR/Alpha One	1983-1990	6225577 and up
7.4L EFI MIE (LH) Gen.V	GM	454	V-8	1995-1996	0F563052-0F820103	Alpha One (Gen. II)	1991-1995	0D469859-0F679999
454 EFI (SKI)(Gen.V)	GM	454	V-8	1995-1996	0F215800-0F820099	Alpha One (Gen. II)	1996	0F680000 and up
350 MIE	GM	454	V-8	1974-1976	3780450-4623109	TR/TRS	1977-1993	4794900 and up
390 MIE	GM	482	V-8	1969-1970	2781129-2825059	Bravo I/II/III	1988-1995	0B664190-0F729999
8.2L MIE w/Hurth	GM	502	V-8	1990-1992	0C878221-0D857199	Bravo I/II/III	1996	0F730000 and up
8.2L MIE (Gen.V)	GM	502	V-8	1993-1996	0D857200-0F819619	Blackhawk	1994-1995	ALL
						SSM II/III/IV/V	1982-1995	ALL
						Alpha One SS	1986-1989	ALL
INBOARD DIESEL ENGINE								
Rover	Rover	60	I/L 4	1965-1967	3140000F and up			
530D-TA(Bravo)	VM	183	I/L 5	1989	0B993002-0D725151			
D183 Turbo AC (Bravo)	VM	183	I/L 5	1990-1993	0B993002-0D725151			
D3.0L (Bravo)	VM	183	I/L 5	1994-1995	0D725152 and up			
636D-TA (Bravo)	VM	219	I/L 6	1989	0B993002-0D850127			
D219 Turbo AC (Bravo)	VM	219	I/L 6	1990-1993	0B993002-0D850127			
D3.6L (Bravo)	VM	219	I/L 6	1994-1995	0D850128 and up			
D254 Turbo AC (Bravo)	VM	254	I/L 6	1990-1993	0C849461-0D554731			
D4.2L (Bravo)	VM	254	I/L 6	1994-1995	0D554732 and up			
7.3L (Bravo)	NAV	444	V-8	1994-1995	0F060048 and up			
530D-TA	VM	183	I/L 5	1989	0B993002-0D725151			
D183 Turbo AC	VM	183	I/L 5	1990-1993	0B993002-0D725151			
D3.0L	VM	183	I/L 5	1994-1995	0D725152 and up			
636D-TA	VM	219	I/L 6	1989	0B993002-0D850127			
D219 Turbo AC	VM	219	I/L 6	1990-1993	0B993002-0D850127			
D3.6L	VM	219	I/L 6	1994-1995	0D850128 and up			
D254 Turbo AC	VM	254	I/L 6	1990-1993	0C849461-0D554731			
D4.2L	VM	254	I/L 6	1994-1995	0D554732 and up			
7.3L	NAV	444	V-8	1994-1995	0F060000 and up			
WO4CTA (150hp)	HINO	234	I/L 4	ALL				
WO4CTI (210hp)	HINO	234	I/L 4	ALL				
WO6DTI (250hp)	HINO	351	I/L 6	ALL				
WO6DTA (310hp)	HINO	351	I/L 6		0D854106 and up			

Limited Warranty of GLM Products, Inc.

1. This product of GLM Products, Inc. (“GLM”) is warranted to be free from defects in material and workmanship for a period of two years from the date of purchase for aluminum elbow/manifold and all other GLM parts and accessories, three years from the date of purchase for cast iron elbow/manifold. Products used for commercial, rental, or income producing activity are warranted for a period of ninety (90) days. Only a person who has proof of purchase of the GLM product will receive warranty service.
2. GLM does not warrant or make any representations in respect to installation errors made by a servicing dealer, servicing mechanic, or the individual. This warranty applies to defects in material and workmanship only, it does not apply to the following: alteration, removal of parts, adjustments, tune-ups, normal wear, damages due to accident, improper installation or service, misuse, neglect, lack of maintenance, use of any accessory or part not manufactured or sold by GLM, operation with fuels, oils, or lubricants which are not suitable for use with the product, water entering engine cylinder through exhaust system or carburetor, participation in or preparing for racing or other competitive activity or operating with a racing type lower unit. GLM’s liability under this warranty shall be terminated on any part damaged by flood, fire, storm, or other natural acts or where the model number and other identification has been altered, defaced or removed.
3. GLM will not be liable for any labor charges and incidental, consequential (such as loss of business), special or indirect damages resulting from the product or caused by the defect or reasonable delay in correcting the defect are not covered under the warranty.
4. GLM reserves the right to inspect and determine whether or not any part has failed due to a defect in material or workmanship. **Do not disassemble any parts including drive units that have been assembled by GLM. GLM’s obligation shall be limited to repairing, replacing or crediting the product determined to be defective, at GLM’s sole discretion:** GLM reserves the right to credit refund your purchase price for the product rather than repair or replace the product, or any part thereof. Any part is covered only for the original warranty period. Once the warranty on the product has expired, the warranty on any replaced or repaired part also expires. GLM shall be allowed to keep parts it deems defective under this warranty.
5. **ALL WARRANTIES BY AND FROM GLM, EXPRESS OR IMPLIED, INCLUDING WITHOUT LIMITATION IMPLIED WARRANTIES OF MERCHANTABILITY AND FITNESS FOR A PARTICULAR PURPOSE, ARE LIMITED IN DURATION TO THE DURATION OF THIS WARRANTY FOR THE PRODUCT INVOLVED. GLM DOES NOT WARRANT, GUARANTEE OR MAKE ANY REPRESENTATIONS REGARDING THE USE OR THE RESULTS OF THE USE OF THE PRODUCT IN TERMS OF ITS CORRECTNESS, RELIABILITY OR OTHERWISE. THE ENTIRE RISK AS TO THE RESULT AND PERFORMANCE OF THE PRODUCT IS ASSUMED BY YOU. IN NO EVENT WILL GLM, OR ITS RESPECTIVE DIRECTORS, OFFICERS, EMPLOYEES OR AGENTS (COLLECTIVELY, “GLM”) BE LIABLE TO YOU FOR ANY CONSEQUENTIAL, INCIDENTAL, SPECIAL OR INDIRECT DAMAGES (INCLUDING DAMAGES FOR LOSS OF BUSINESS PROFITS, BUSINESS INTERRUPTION, LOSS OF BUSINESS INFORMATION AND THE LIKE) ARISING OUT OF THE USE OR INABILITY TO USE THE PRODUCT.** GLM’s liability to you for actual damages from any cause whatsoever, and regardless of the form of the action (whether in contract, tort (including negligence), product liability or otherwise), will be limited to the purchase price paid for the product. No GLM dealer, agent or employee is authorized to make any modification or extension to this warranty. Because some states do not allow the exclusion of implied warranties and/or the exclusion or limitation of liability for consequential or incidental damages, the above limitations may not apply to you. This warranty gives you specific legal rights, and you may have other rights which vary from state to state.
6. You are required to notify GLM of any defect within the applicable warranty period and immediately obtain from GLM or its distributor a warranty application and a GLM RGA number. Upon GLM’s receipt of the completed warranty application and part claimed under this warranty (with the GLM RGA number marked on the shipping and packaging of the part), GLM will inspect the part for warranty coverage. Only when the defect is covered by the warranty will the part be repaired or replaced, at GLM’s sole option. If warranty service is required, you must deliver your product, at your expense, with proof-of-purchase (including original purchase invoice and invoice for installation of warranted part) to GLM for repair. Service is provided by GLM at its corporate headquarters at 705 Los Angeles Avenue, Monrovia, California 91016, Tel: (626) 357-0077, Fax: (626) 357-0600. When repair is completed, GLM will ship back to its indicated address. Shipping methods will be determined by GLM.
7. This warranty comprises the sole and entire warranty pertaining to the product furnished to you by GLM, and GLM makes no other warranty, guarantee or representation of any kind whatsoever pertaining to the product. Any other representations, or promises by any person are unauthorized and are not binding upon GLM unless in writing.

Warranty Service Procedure

1. GLM will directly and promptly approve and honor legitimate warranty claims on product only under the condition that the claim is made through a servicing Dealer. ****Do not disassemble any parts including drive units that have been assembled by GLM.****
2. GLM will credit or reimburse the Dealer for qualified warranty claims submitted that comply to GLM identified warranty policies.

ANY CLAIM UNDER GLM'S WARRANTY (Please see Limited Warranty of GLM Products) SHALL BE IN WRITING TO GLM PRODUCTS, INC. WITHIN THE WARRANTY PERIOD. TO ASSURE FAST AND EFFICIENT SERVICE PLEASE SHIP ALL WARRANTY PART(S) AND DOCUMENTATION DIRECTLY TO GLM. ALL WARRANTY CLAIM PRODUCTS MUST BE SHIPPED FREIGHT PREPAID TO GLM FOR WARRANTY INSPECTION. (FREIGHT CHARGES WILL BE REIMBURSED ONLY UPON APPROVAL ON WARRANTY)

1. All returns must have a GLM "RGA #" assigned (contact GLM directly for the "Return Goods Authorization #"). It is imperative to indicate this number on outside of all boxes and included on all submitted documentation. No returns will be accepted without an RGA #.
2. All returns must accompany a copy of the completed warranty application. (Application is available at www.glmmarine.com, in the back of each GLM's catalog or through your GLM distributor.)
3. **ALL** parts involved in the claim.
4. Copy of invoices as follows:
 - Original purchase invoice from distributor.
 - Original invoice for installation of warranted parts.
 - Proposed invoice/ work-order to GLM, if any, for warranty claim.NOTE: GLM complies with OEM standard flat hours and rates.
Copies of all invoices for items in above proposed invoice.

Send parcel(s) to:

**GLM Products, Inc. - Warranty
705 Los Angeles Avenue
Monrovia, CA 91016
RGA#**



GLM MANIFOLD CATALOG



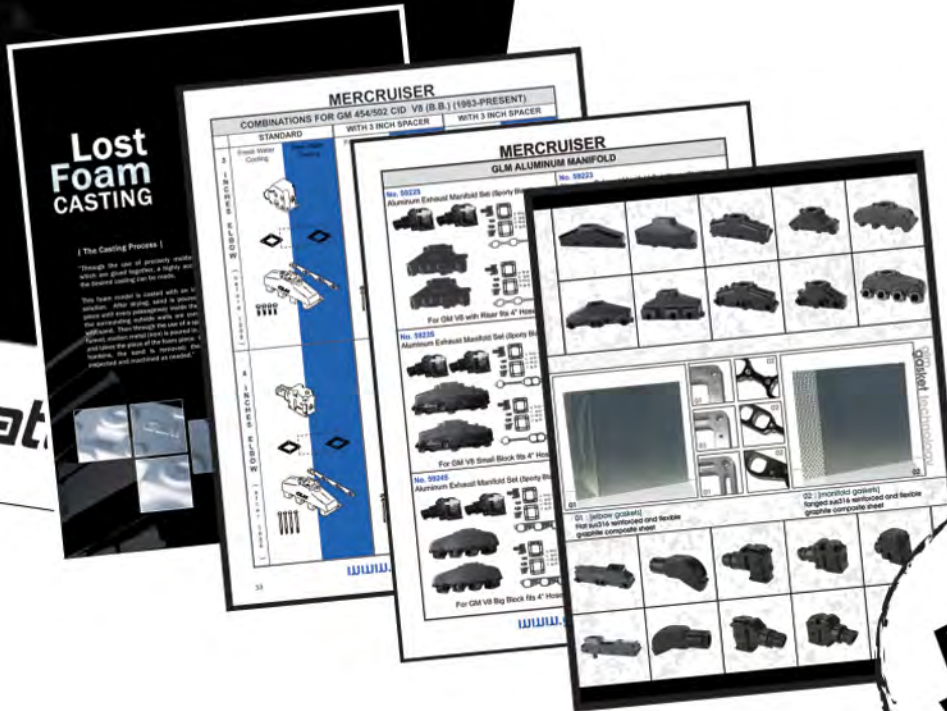
Over 370 quality manifold replacement parts available for...

MerCruiser

OMC

Volvo Penta

Barr/Indmar/Marine Power



Request your copy today!



GLM Products, Inc. · 705 Los Angeles Avenue · Monrovia, CA 91016 USA
TEL (626) 357-0077 · FAX (626) 357-0600
info@glmmarine.com

An instant copy of our catalog can be downloaded from our website at:

www.glmmarine.com



GLM Products, Inc.
705 Los Angeles Avenue
Monrovia, CA 91016 USA
TEL (626) 357-0077
FAX (626) 357-0600
info@glmmarine.com



Quality replacement parts catalogs for:

-  **MerCruiser**
-  **OMC/Volvo Penta**
-  **Johnson/Evinrude**
-  **Mercury/Mariner/Force**
-  **Yamaha** (Suzuki, Honda, Tohatsu, Nissan)



Manifold Catalog

For catalog availability, visit us on the web at:
www.glmmarine.com

\$0.00 USD Digital Copy
GMR13V1

MerCruiser® is a trademark of the Brunswick Corporation.