



GLM is committed to producing the highest quality and cost efficient aftermarket marine products in the industry. At GLM, we use only the highest quality materials and most advanced technology for our product line, enabling us to produce the most reliable and compatible products for the marine aftermarket parts industry.

GLM offers an exciting line of exceptional products, which are brand new from factory and compatible and interchangeable with OEM application. Our in-house design and engineering teams enable us to make improvements on original OEM materials and designs. At GLM, we strive to include all new advancements, improvements, and superior materials with the ever-changing world of technology.

Consider the many additions to the GLM line over the past several years. No other aftermarket manufacturer can compare with our variety of gears, shafts, carriers, drives, and cases, that GLM has developed and re-designed. When you invest in a GLM product, you can be assured that you are receiving the highest quality aftermarket marine products available. GLM is the only source for innovation and exclusive aftermarket products.

At GLM, we deliver the highest quality and most complete line of aftermarket marine parts worldwide.



GLM Products, Inc.
705 Los Angeles Avenue
Monrovia, CA 91016 USA
(626) 357-0077 TEL
(626) 357-0600 FAX
info@glmmarine.com



Quality replacement parts catalogs for:

-  **Yamaha** (Suzuki, Honda, Tohatsu, Nissan)
-  **MerCruiser**
-  **OMC | Volvo Penta**
-  **Johnson | Evinrude**
-  **Mercury | Mariner | Force**

For catalog availability, visit us on the web at: www.glmmarine.com



Manifold Catalog
&
Anode Brochure

Contents of this catalog are copyrighted.
Reproduction of any or all of its contents is prohibited.

We have prepared this catalog to provide you with information that is helpful and accurate as possible. Although care has been taken to assure the accuracy of the data presented in this catalog, GLM Products, Inc. does not assume any liability for errors or omissions.

All illustrations used in this catalog are intended as representative views for reference only.

TABLE OF CONTENTS

YAMAHA / SUZUKI / HONDA / TOHATSU / NISSAN

Gearcase Exploded Views		Water Pumps & Thermostats		Section 3
<i>Yamaha / Suzuki / Honda / Tohatsu / Nissan</i>		<i>Yamaha / Suzuki / Honda / Tohatsu / Nissan</i>		Cont...
Section 1				
Yamaha Gearcase Components - 9.9 & 15 HP (1984-2006)	6-7	Yamaha Water Pump Kits - 150-300 HP	78-79	
Yamaha Gearcase Components - 9.9 & 15 HP (1996-2006)	8-9	Yamaha Water Pump Kits - 300 HP V6	80	
Yamaha Gearcase Components - 20 & 25 HP 2-Cylinder	10-11	Yamaha Water Pump Kits - 300-350 HP V8 4-Stroke	81	
Yamaha Gearcase Components - 25, 30, 40 & 50 HP	12-13	Yamaha Water Pump Kit Applications	82-84	
Yamaha Gearcase Components - C-25 & 30 HP	14-15	Yamaha Thermostats	85	
Yamaha Gearcase Components - 25, 30 & 40 HP	16-17	Yamaha Thermostat Applications	86	
Yamaha Gearcase Components - 40, 48, 50, P50 & 55 HP	18-19	Pistons		
Yamaha Gearcase Components - 40, 50 & 60 HP	20-21	<i>Yamaha / Suzuki / Honda / Tohatsu / Nissan</i>		Section 4
Yamaha Gearcase Components - C-55HP	22-23	GLM Exclusive Marine Pistons	88	
Yamaha Gearcase Components - 50, 60 & 70 HP	24-25	Yamaha Inline 48, 55, 75, 80, 85, 90 HP Pistons	89	
Yamaha Gearcase Components - C-60 & 70HP (1996 & Before)	26-27	Yamaha 115, 130, 150, 175, 200, 225 HP V4 & V6 Pistons ...	90-91	
Yamaha Gearcase Components - 60, 70 thru 90 HP	28-29	Yamaha 200, 225, 250 HP V6 Pistons	92	
Yamaha Gearcase Components - 75, 80, 90 & 100 HP	30-31	Powerhead Gaskets		
Yamaha Gearcase Components - 115, F115 (All F, LF & C), 130, F130		<i>Yamaha / Suzuki / Honda / Tohatsu / Nissan</i>		Section 5
150, 175, 200, 220, 225 HP & V6 Special EXC	32-33	Yamaha Head Gaskets	94	
Yamaha Gearcase Components - D-150 & DX-150 HP	34-35	Suzuki Head Gaskets	95	
Yamaha Gearcase Components - 115, 130, 150, 175, 200, 225 HP &		Exhaust Manifold Gaskets	96	
VZ200 thru VZ300 HP	36-37	Powerhead Gaskets	97	
Yamaha Gearcase Components - 225, 250 & 300 HP V6	38-39	Fuel Filters		
Yamaha Gearcase Components - 300 & 350 HP V8	40-41	<i>Yamaha / Suzuki / Honda / Tohatsu / Nissan</i>		Section 6
Gearcase Seal Kits				
<i>Yamaha / Suzuki / Honda / Tohatsu / Nissan</i>				
Section 2				
Yamaha Gearcase Seal Kits - 9.9-90 HP	44-47	GLM's Plastic Inline Fuel Filters	100	
Yamaha Gearcase Seal Kits - V4 (115-130 HP)	47	Low Pick-up Water / Fuel Separator Mounting Bracket	101	
Yamaha Gearcase Seal Kits - V6 (150-250 HP)	48	How to Choose the Correct Water / Fuel Separator	102	
Yamaha Gearcase Seal Kits Applications	49	Stainless Steel Brackets / Die Cast Aluminum Brackets	102	
Yamaha Gearcase Seal Kit Components - Damper, Seals & Grommets	50	Water Separating Fuel Filter Kits	103	
Yamaha Gearcase Seal Kit Components - Gaskets	50	Aluminum Anodes & Prop Kits		
Yamaha Gearcase Seal Kit Components - Water Pump Gaskets	50-51	<i>Yamaha / Suzuki / Honda / Tohatsu / Nissan</i>		Section 7
Yamaha Gearcase Seal Kit Components - Muffler Gaskets	52	Yamaha Aluminum Anodes	106-108	
Yamaha Gearcase Seal Kit Components - O-rings	53-54	Suzuki Aluminum Anodes	109	
Yamaha Gearcase Seal Kit Components - Oil Seals	55	Honda Aluminum Anodes	110	
Water Pumps & Thermostats				
<i>Yamaha / Suzuki / Honda / Tohatsu / Nissan</i>				
Section 3				
Yamaha Water Pump Impellers	58-59	Yamaha Prop Nut Kits	111-112	
Yamaha Water Pump Kits - 9.9-15 HP	60-61	Index & Cross References		
Yamaha Water Pump Kits - 20-25 HP	62	<i>Yamaha / Suzuki / Honda / Tohatsu / Nissan</i>		Section 8
Yamaha Water Pump Kits - 25, 30, 40 & 50 HP, 3-Cyl.	63	Yamaha - All Years and Models (1984-1989)	114	
Yamaha Water Pump Kits - 25 & 30 HP	64	Yamaha - All Years and Models (1989 cont.-1992)	115	
Yamaha Water Pump Kits - 40-50 HP	65-66	Yamaha - All Years and Models (1992 cont.-1995)	116	
Yamaha Water Pump Kits - F-25-F40 HP 4-Stroke	67	Yamaha - All Years and Models (1995 cont.-1997)	117	
Yamaha Water Pump Kits - 55 HP	68	Yamaha - All Years and Models (1997 cont.-1999)	118	
Yamaha Water Pump Kits - 50-70 HP	69	Yamaha - All Years and Models (1999 cont.-2002)	119	
Yamaha Water Pump Kits - 60-70 HP	70	Yamaha - All Years and Models (2002 cont.-2004)	120	
Yamaha Water Pump Kits - 70-90 HP	71	Yamaha - All Years and Models (2004 cont.-2006)	121	
Yamaha Water Pump Kits - 75-100 HP	72	Yamaha - All Years and Models (2006 cont.)	122	
Yamaha Water Pump Kits - 115 HP	73	GLM Limited Warranty	123	
Yamaha Water Pump Kits - 115-130 HP	74-75	GLM Warranty Service Procedure	124	
Yamaha Water Pump Kits - 115 HP & 150 HP	76	GLM Warranty Claim Application	125	
Yamaha Water Pump Kits - 150-300 HP, 2-Stroke	77			



Section 1

Yamaha Suzuki / Honda / Tohatsu / Nissan Gearcase Exploded Views

<i>Yamaha Gearcase Components - 9.9 & 15 HP (1984-2006)</i>	6-7
<i>Yamaha Gearcase Components - 9.9 & 15 HP (1996-2006)</i>	8-9
<i>Yamaha Gearcase Components - 20 & 25 HP 2-Cylinder</i>	10-11
<i>Yamaha Gearcase Components - 25, 30, 40 & 50HP</i>	12-13
<i>Yamaha Gearcase Components - C25 & 30HP</i>	14-15
<i>Yamaha Gearcase Components - 25, 30 & 40HP</i>	16-17
<i>Yamaha Gearcase Components - 40, 48, 50, P50 & 55HP</i>	18-19
<i>Yamaha Gearcase Components - 40, 50 & 60HP</i>	20-21
<i>Yamaha Gearcase Components - C55HP</i>	22-23
<i>Yamaha Gearcase Components - 50, 60 & 70HP</i>	24-25
<i>Yamaha Gearcase Components - C60 & 70HP (1996 & Before)</i>	26-27
<i>Yamaha Gearcase Components - 60, 70 thru 90HP</i>	28-29
<i>Yamaha Gearcase Components - 75, 80, 90 & 100HP</i>	30-31
<i>Yamaha Gearcase Components - 115, F115 (All F, LF & C), 130, F130, 150, 175, 200, 220, 225 HP & V6 Special EXC</i>	32-33
<i>Yamaha Gearcase Components - D150 & DX150HP</i>	34-35
<i>Yamaha Gearcase Components - 115, 130, 150, 175, 200, 225HP & VZ200 thru VZ300HP</i>	36-37
<i>Yamaha Gearcase Components - 225, 250 & 300HP V6</i>	38-39
<i>Yamaha Gearcase Components - 300 & 350HP V8</i>	40-41

Yamaha

YAMAHA GEARCASE COMPONENTS - 9.9HP & 15HP (1984-2006)

9.9 (1984-85, 1995), F9.9 (1986, 1995-96, 2006 4-Stroke), FT9.9 (1987)
 T9.9 (1995, 1997, 2006 4-Stroke), 15 (1984, 1988, 1995)

Water Pump Kit
 w/o Hsg with Bolts

No. 12278



1

Water Pump Kit
 w/o Hsg w/o Bolts

No. 12281



2

Water Pump
 Hsg. Assembly

No. 12448



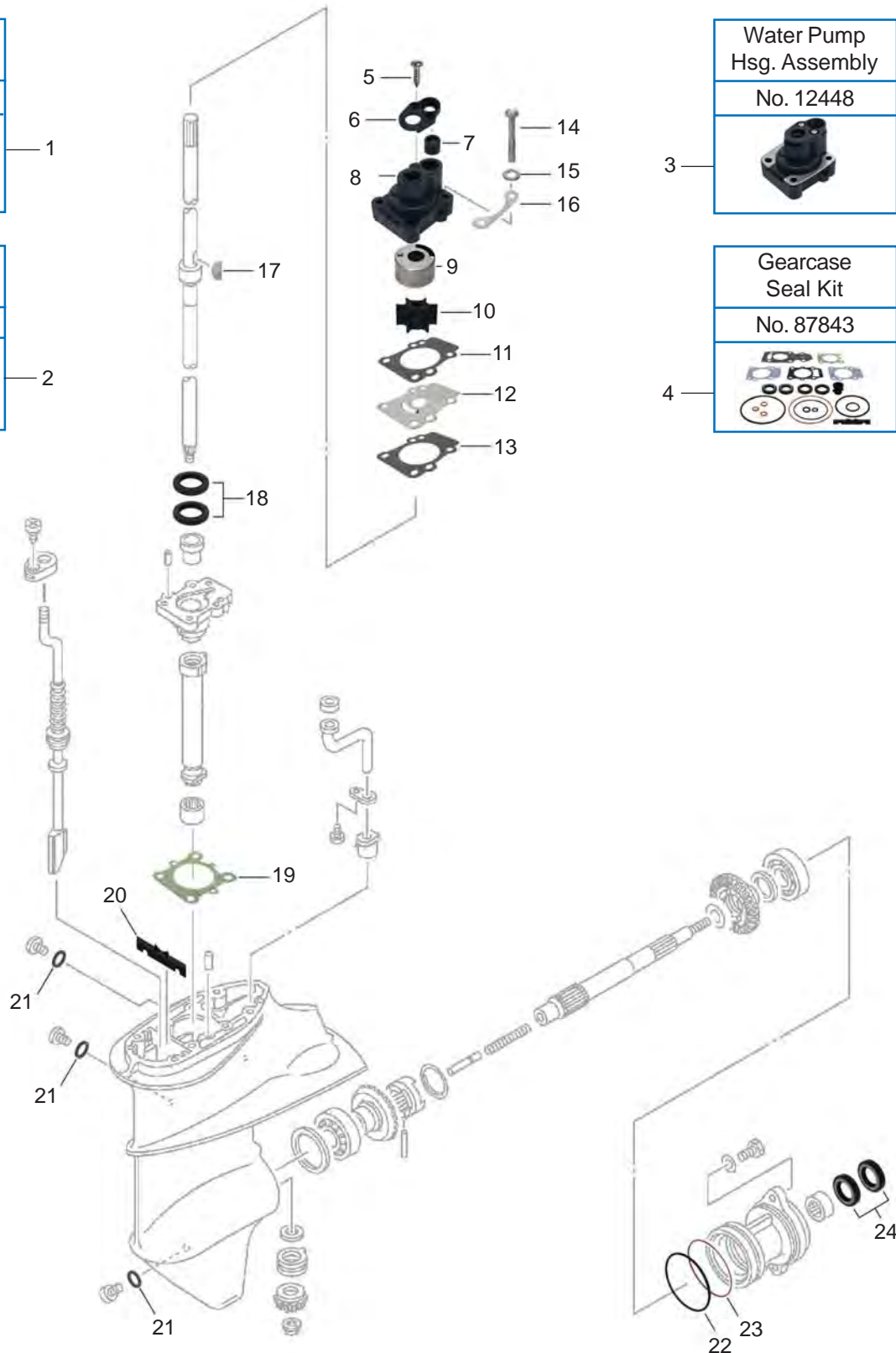
3

Gearcase
 Seal Kit

No. 87843



4



Yamaha

YAMAHA GEARCASE COMPONENTS - 9.9HP & 15HP (1996-2006)

Fits Models:

F6 (2001-06), F8 (2001-06), T8 (2001-06) 9.9 (1996-06), F9.9 (2003,2006),
T9.9 (2003, 2006), 15 (1996-01, 2003, 2006), F-15 (1998-06)

Complete Water
Pump Kit

No. 12087



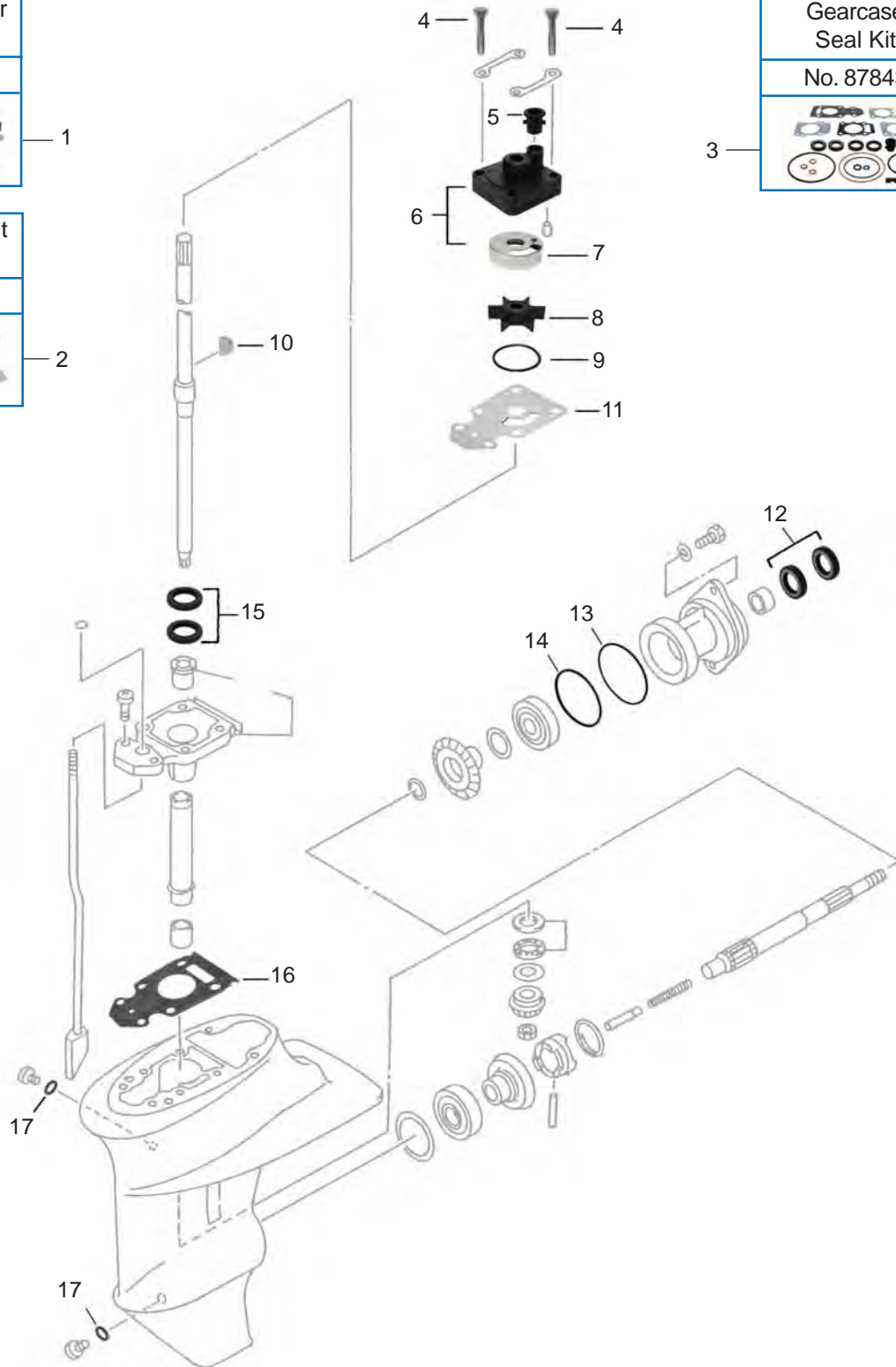
Water Pump Kit
w/o Housing

No. 12066



Gearcase
Seal Kit

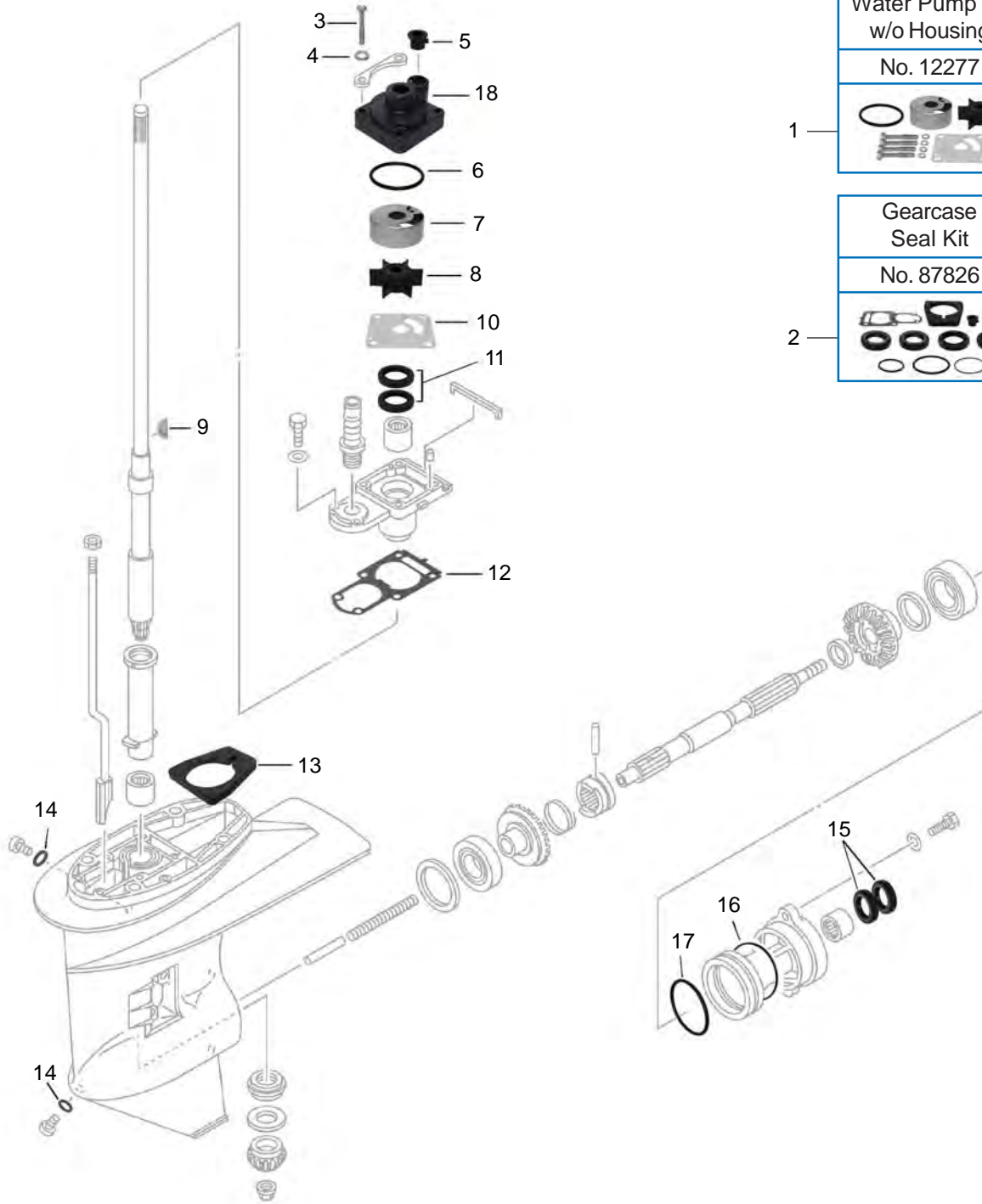
No. 87843



Yamaha

YAMAHA GEARCASE COMPONENTS - 20HP & 25HP - 2-CYL.

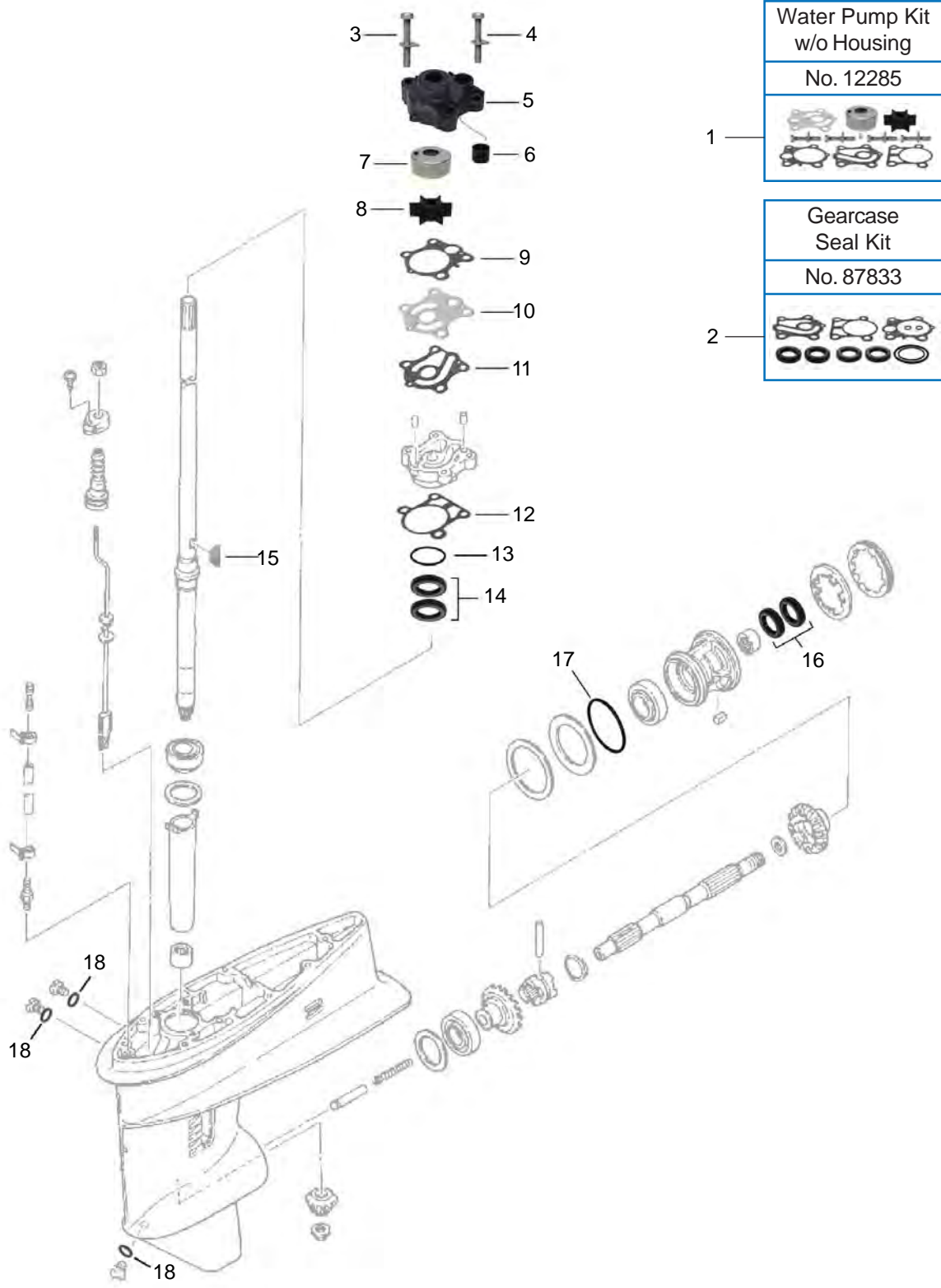
Fits Models:
20 (1996-97), 25 (1988-98, 2000-01, 2003-04)



Yamaha

YAMAHA GEARCASE COMPONENTS - 25HP, 30HP, 40HP & 50HP

Fits Models:
25 (1999, 2001-02) 30 (1997-99, 2001-02), 40 & 50HP

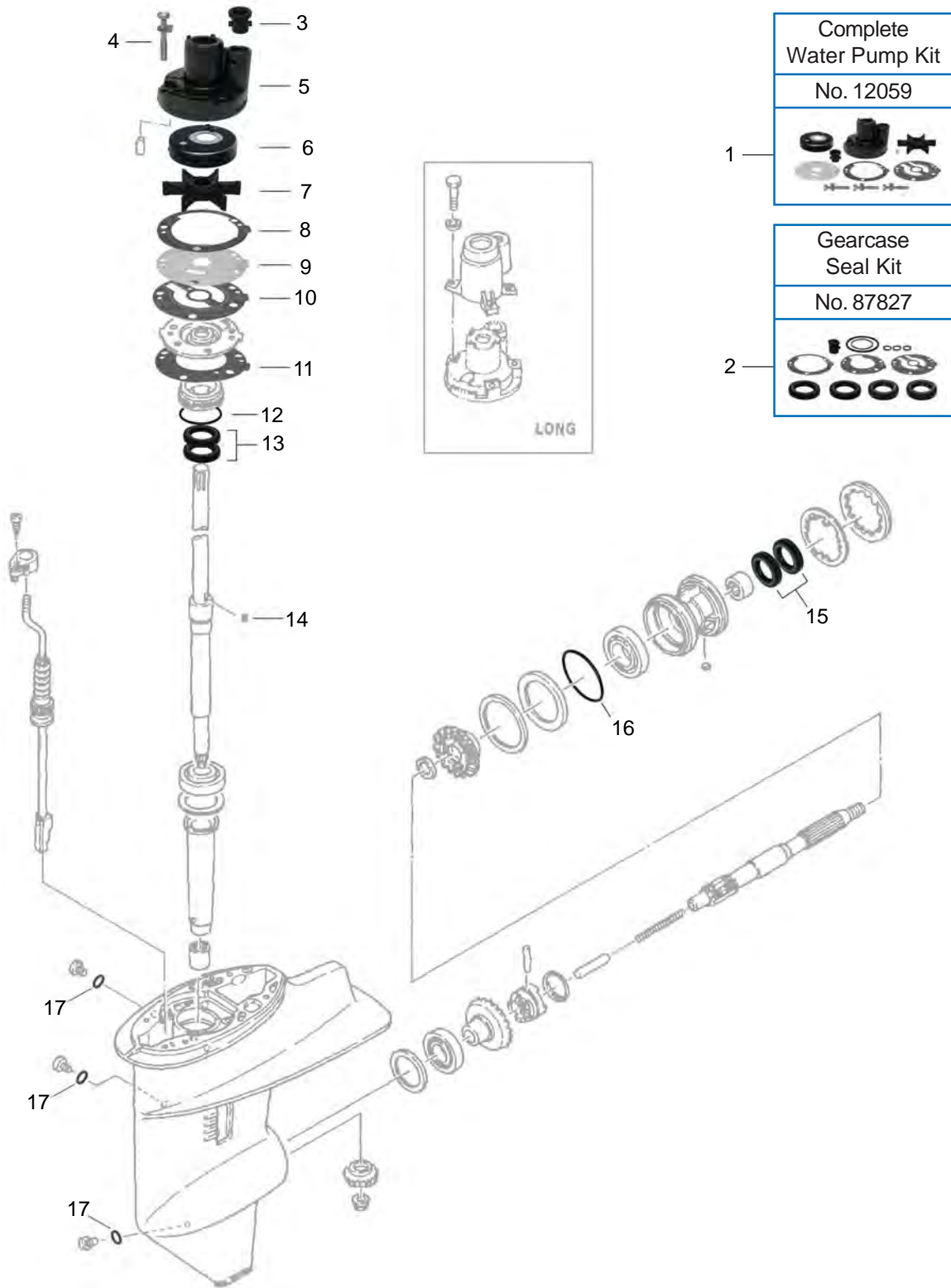


Yamaha

YAMAHA GEARCASE COMPONENTS - C25HP & 30HP

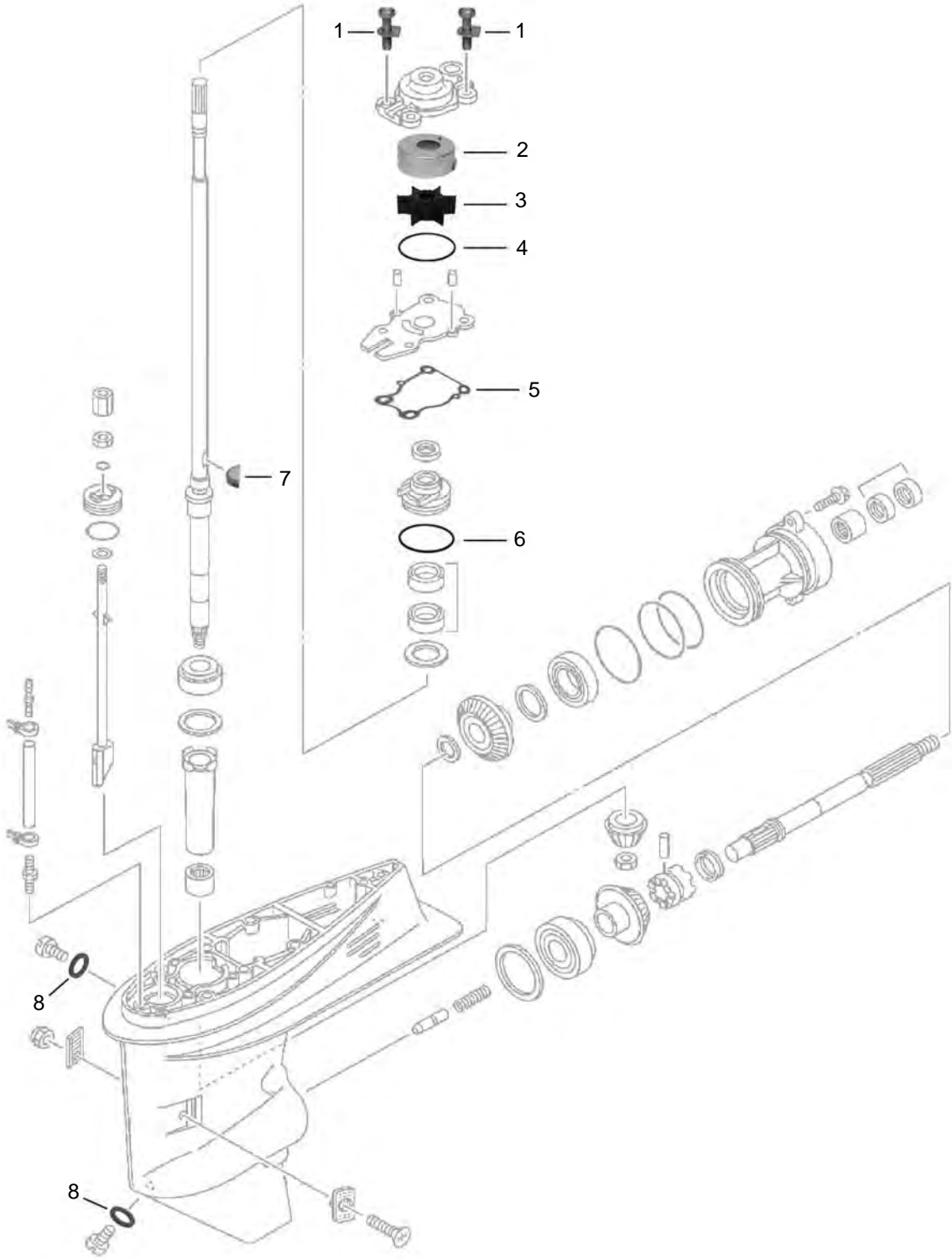
Fits Models:

25 (1986-87), C-25 (1991-97), CV-25 (1990), 30 (1986-87, 1989-93, 1996)



Yamaha

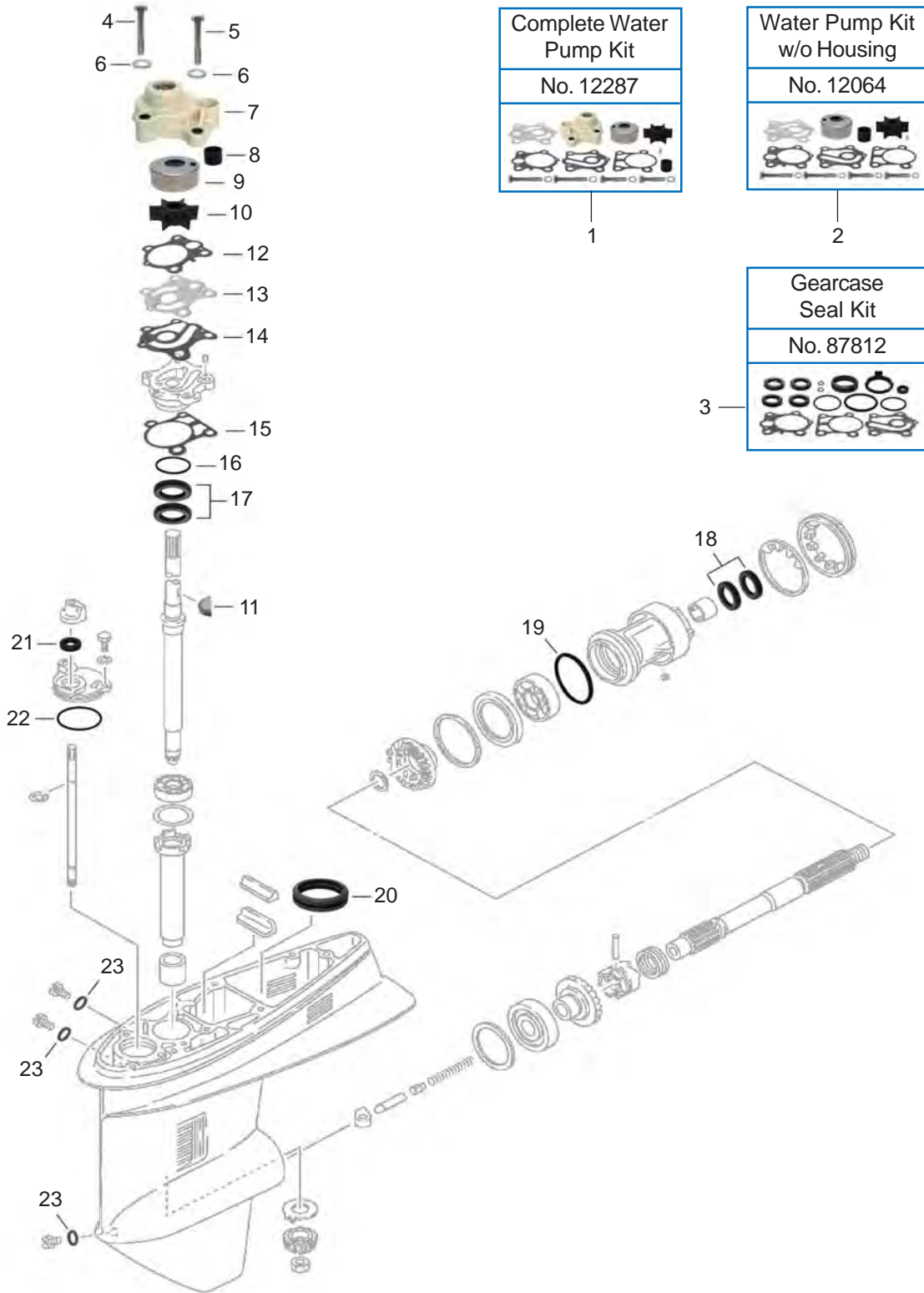
YAMAHA GEARCASE COMPONENTS - 25HP, 30HP & 40HP



Yamaha

YAMAHA GEARCASE COMPONENTS - 40HP, 48HP, 50HP, P50HP & 55HP

Fits Models:
40 (1984-94), 48HP, 50 (1986-94), P-50 (1991-94) & 55HP



Yamaha

YAMAHA GEARCASE COMPONENTS - 40HP, 50HP & 60HP

Fits Models:

C-40HP (1998-02), C-50HP (1998-01), F-40HP (1999), F-50HP (1996-05), F-60HP (2002-05)
 P-40HP (1998), P-50HP (1995-96), T-50HP (2002-04), 40HP (1995-05), 50HP (1995-96, 1998-05)

Complete Water
Pump Kit

No. 12289



1

Water Pump Kit
w/o Housing

No. 12276



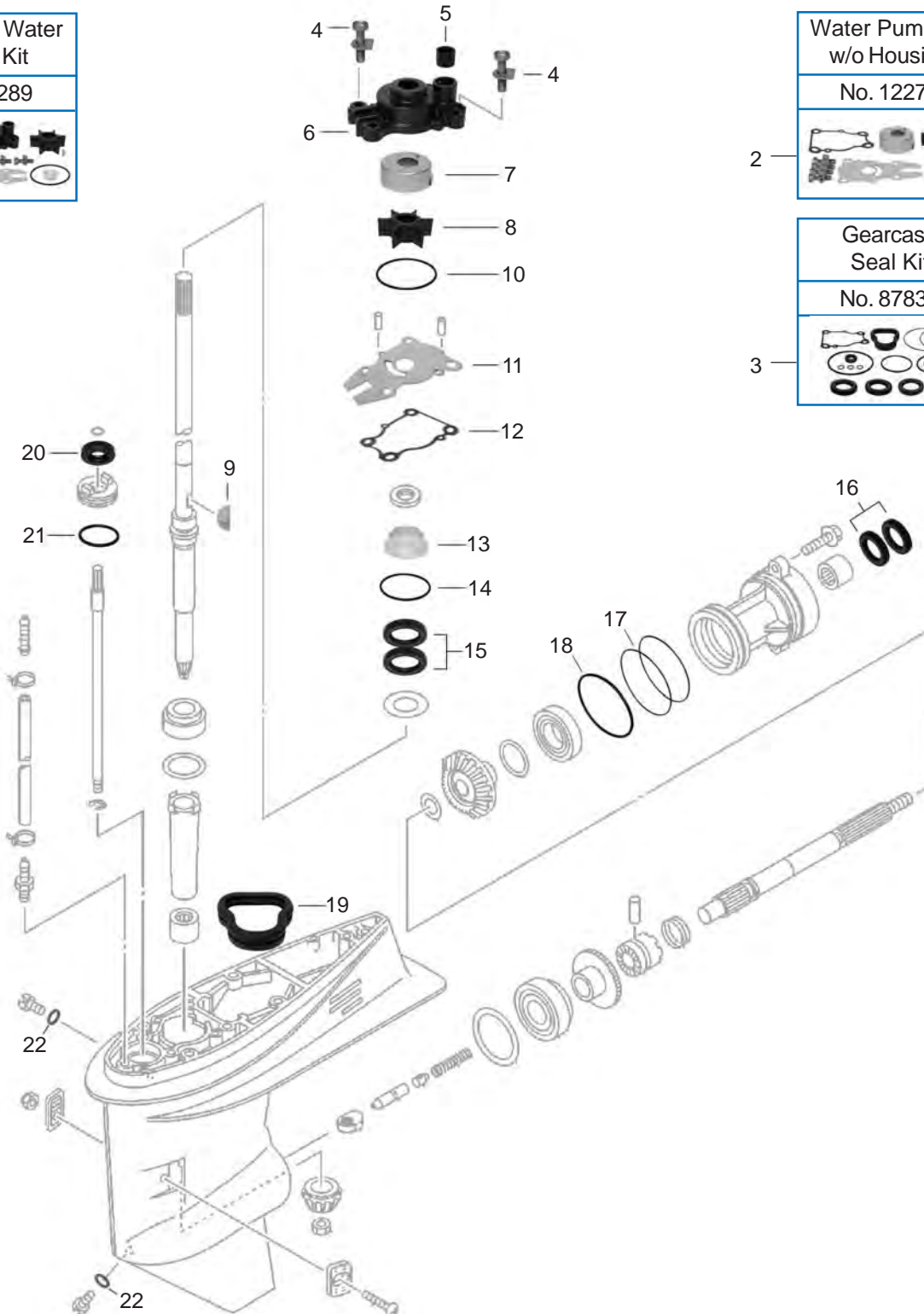
2

Gearcase
Seal Kit

No. 87834



3



Yamaha

YAMAHA GEARCASE COMPONENTS - C55HP

Fits Models:
C-55 (1991-95), CV-55 (1989)

Complete Water
Pump Kit

No. 12288



1

Water Pump Kit
w/o Housing

No. 12279



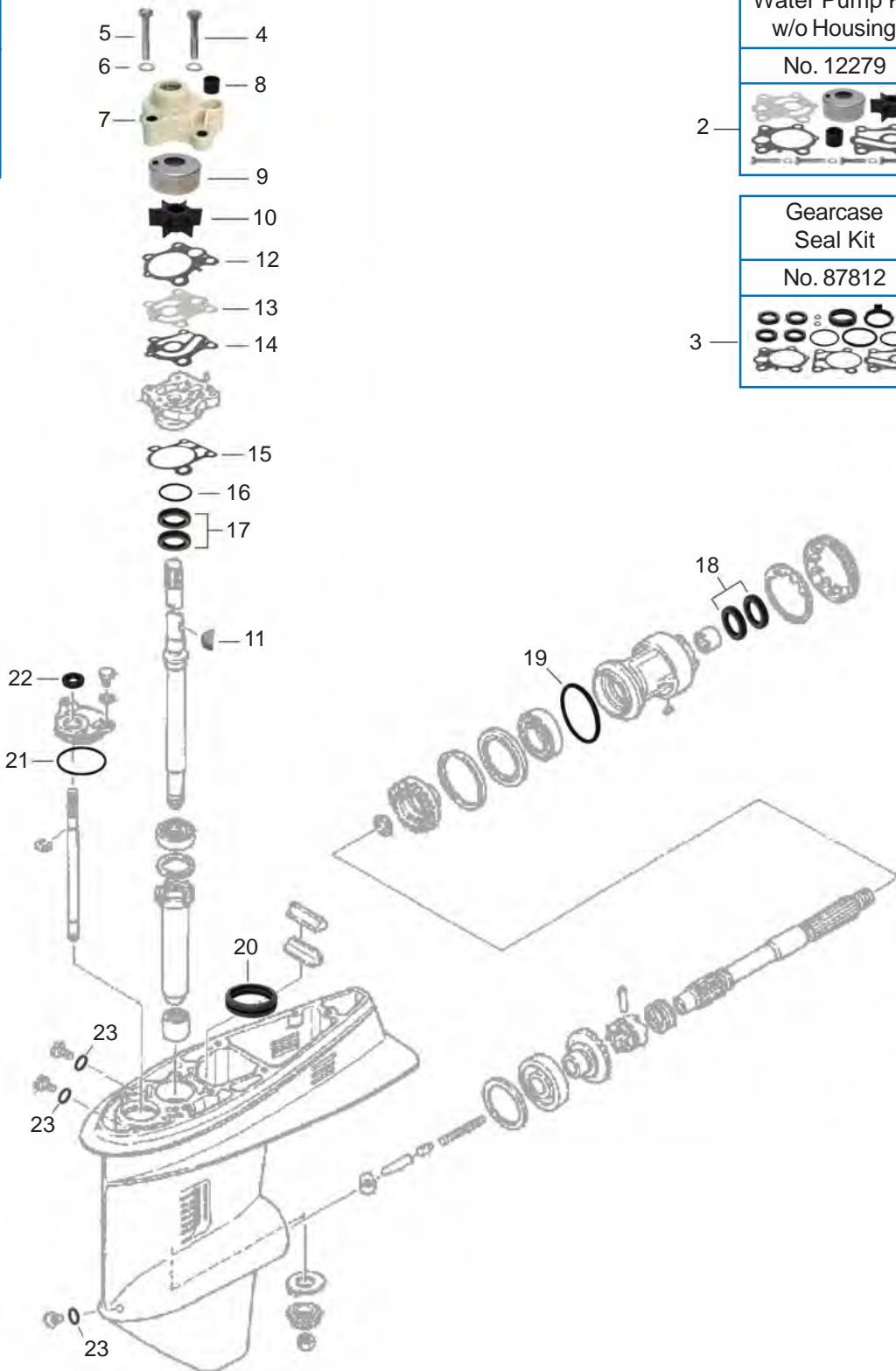
2

Gearcase
Seal Kit

No. 87812



3

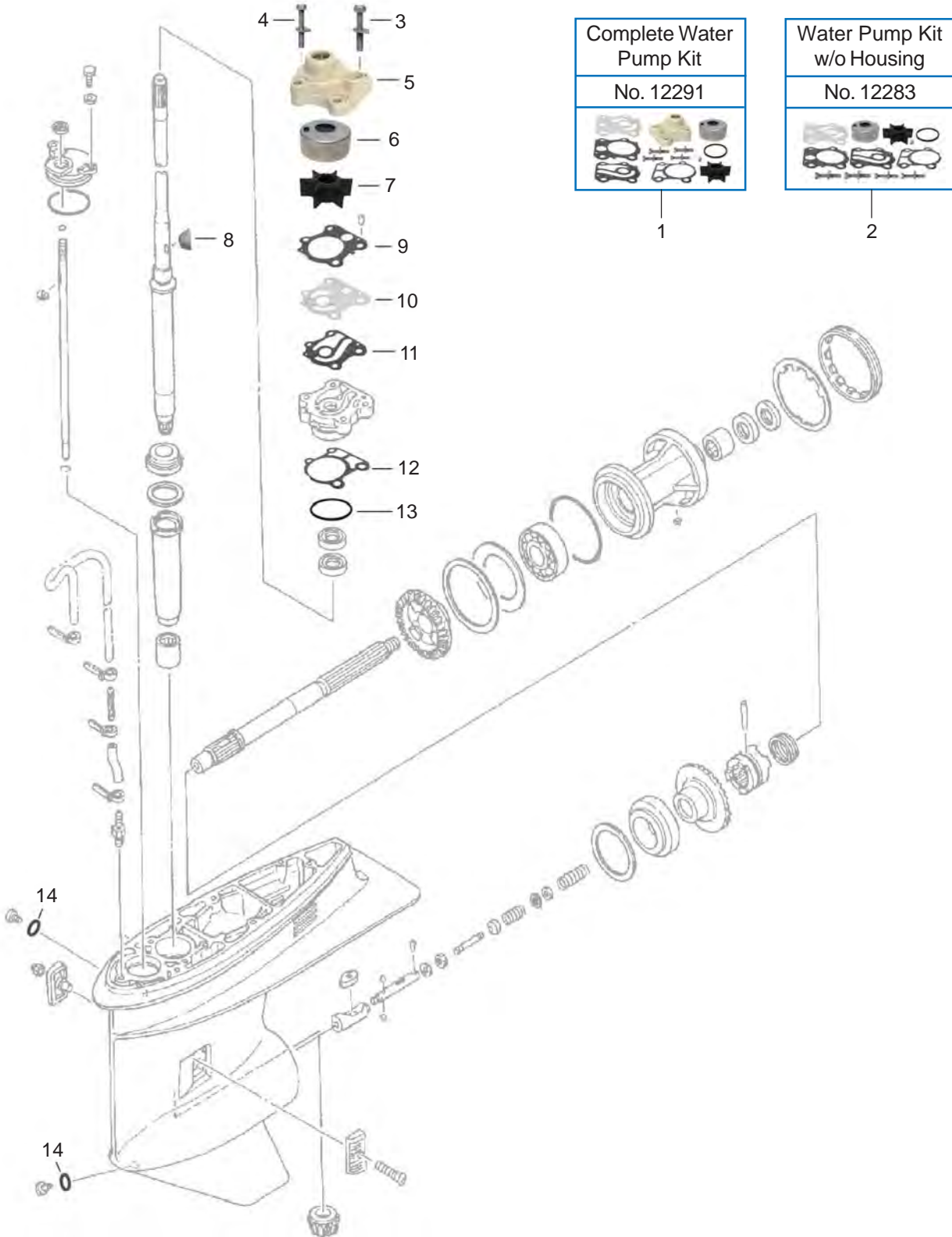


Yamaha

YAMAHA GEARCASE COMPONENTS - 50HP, 60HP & 70HP

Fits Models:

C-60HP (1997-01), C-70HP (2000-01), P-60HP (1997-99), T-50HP (1997-01, 2003, 2005),
T-60HP (2003-05), 60HP (2003), 70HP (1997-03)




Yamaha

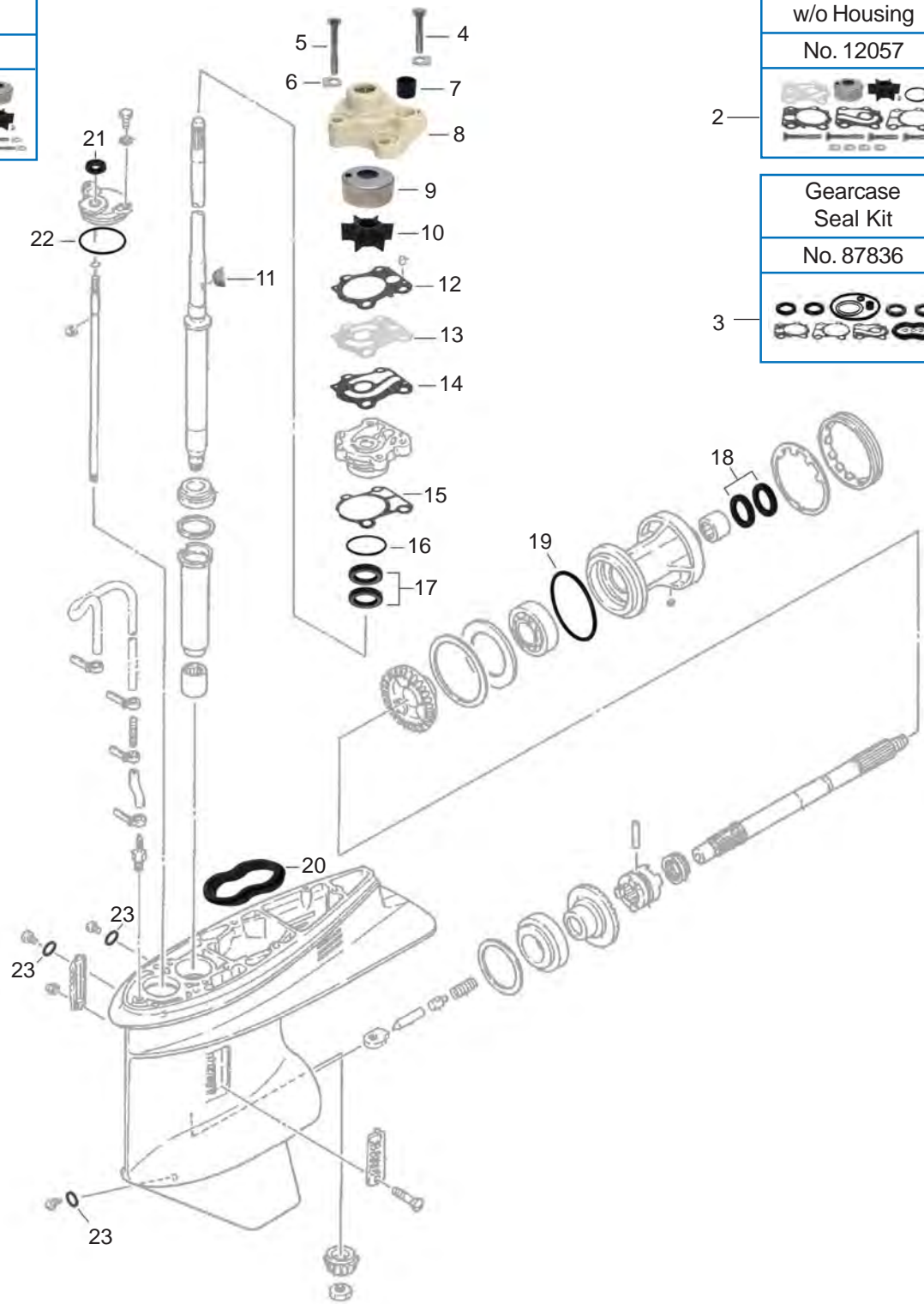
YAMAHA GEARCASE COMPONENTS - C-60HP & 70HP (1996 & Before)

Fits Models:
C-60HP (1996), E-60HP (1995-96), P-60HP (1992-96), 70HP (1992-96)

Complete Water Pump Kit
No. 12292


Water Pump Kit w/o Housing
No. 12057


Gearcase Seal Kit
No. 87836

Yamaha

YAMAHA GEARCASE COMPONENTS - 60HP, 70HP-90HP

Fits Models:

B-90HP (1998-99), C-75HP (1998-99), C-80HP (1997), C-90HP (1997-01),
E-75HP (2000), P-75HP (1997-99), 60HP (2004-05), 70HP (2004-05), 90HP (1997-05)

Complete Water
Pump Kit

No. 12293



1

Water Pump Kit
w/o Housing

No. 12282



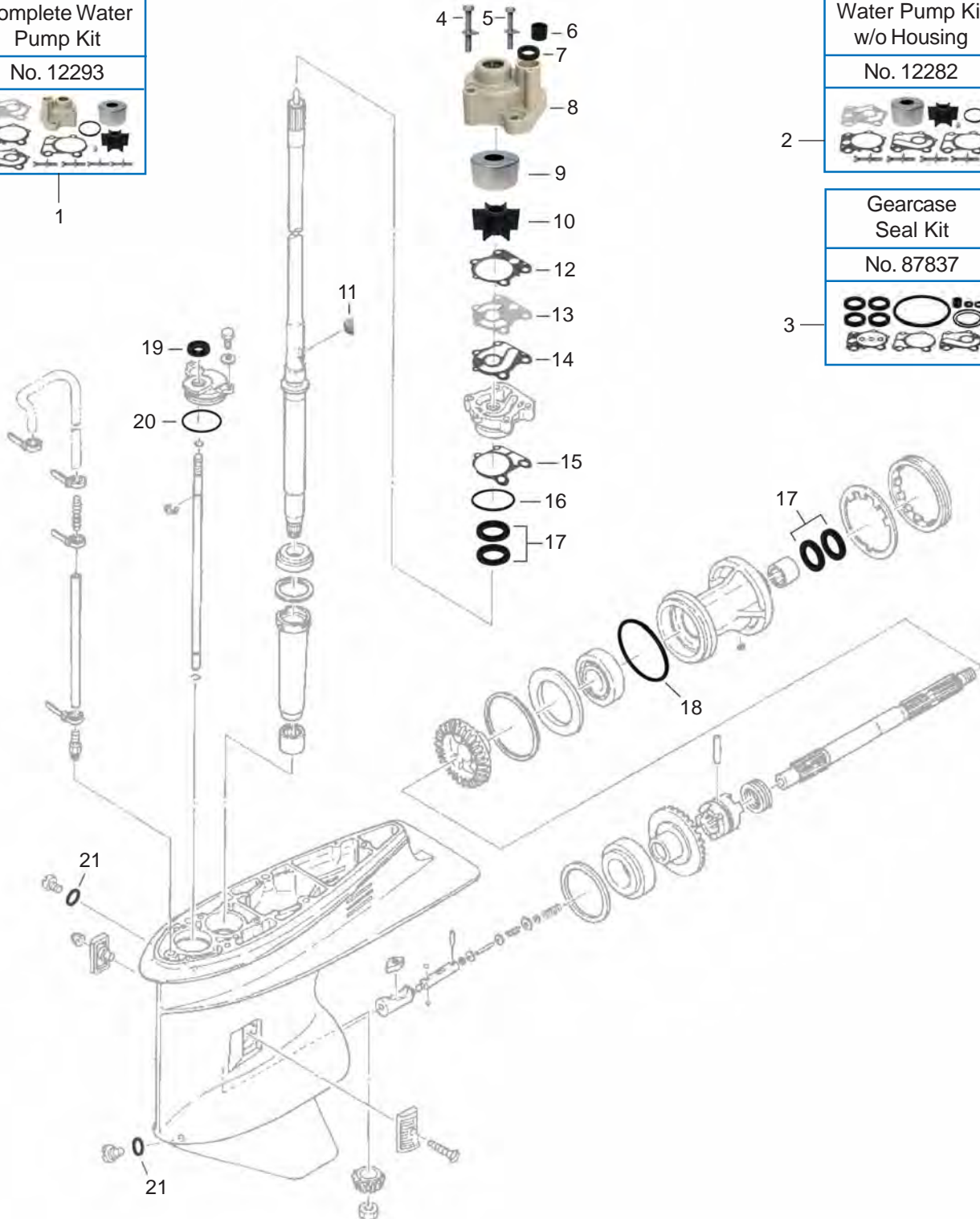
2

Gearcase
Seal Kit

No. 87837



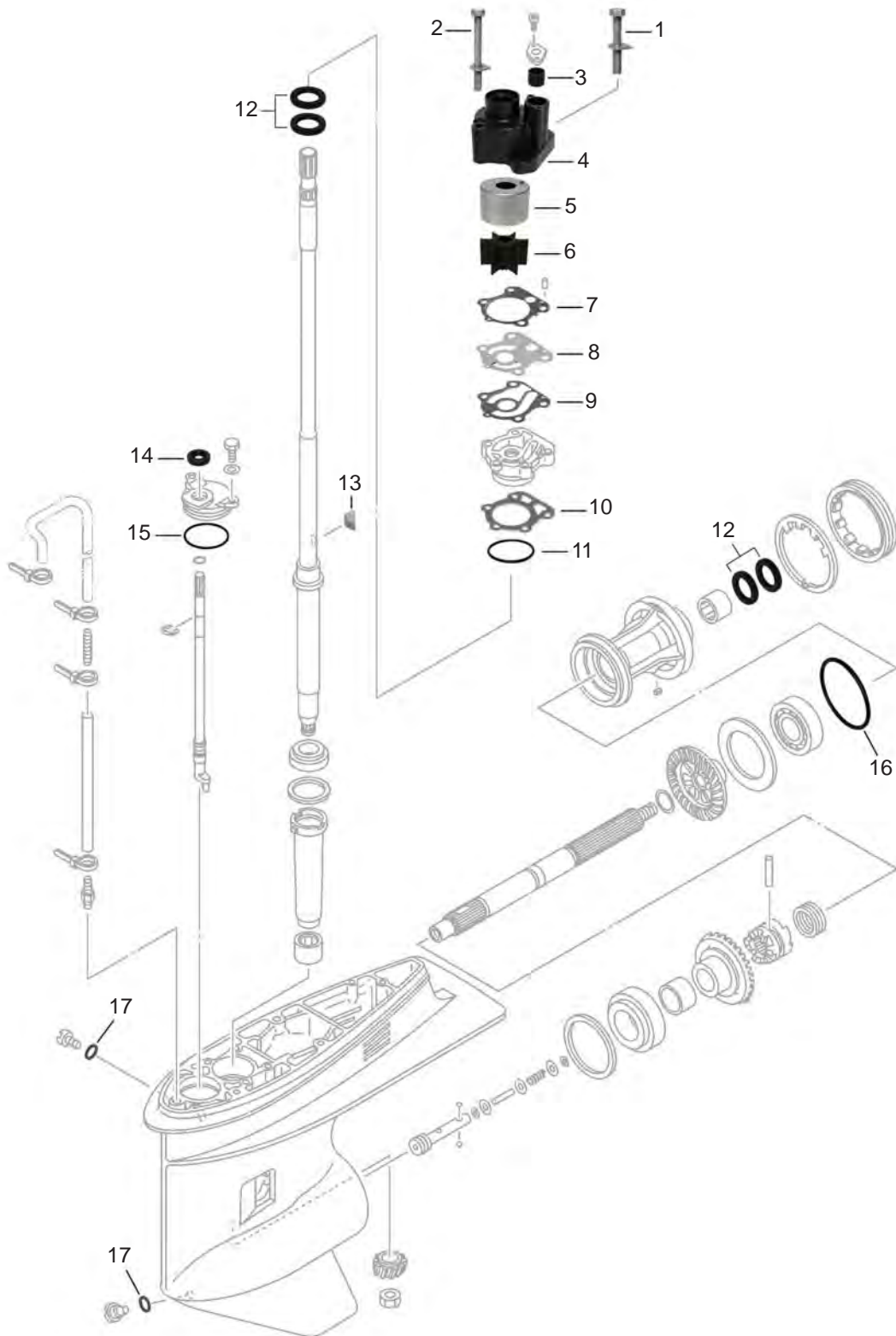
3



Yamaha

YAMAHA GEARCASE COMPONENTS - 75HP, 80HP, 90HP & 100HP

Fits Models:
75HP, 80HP, 90HP & 100HP



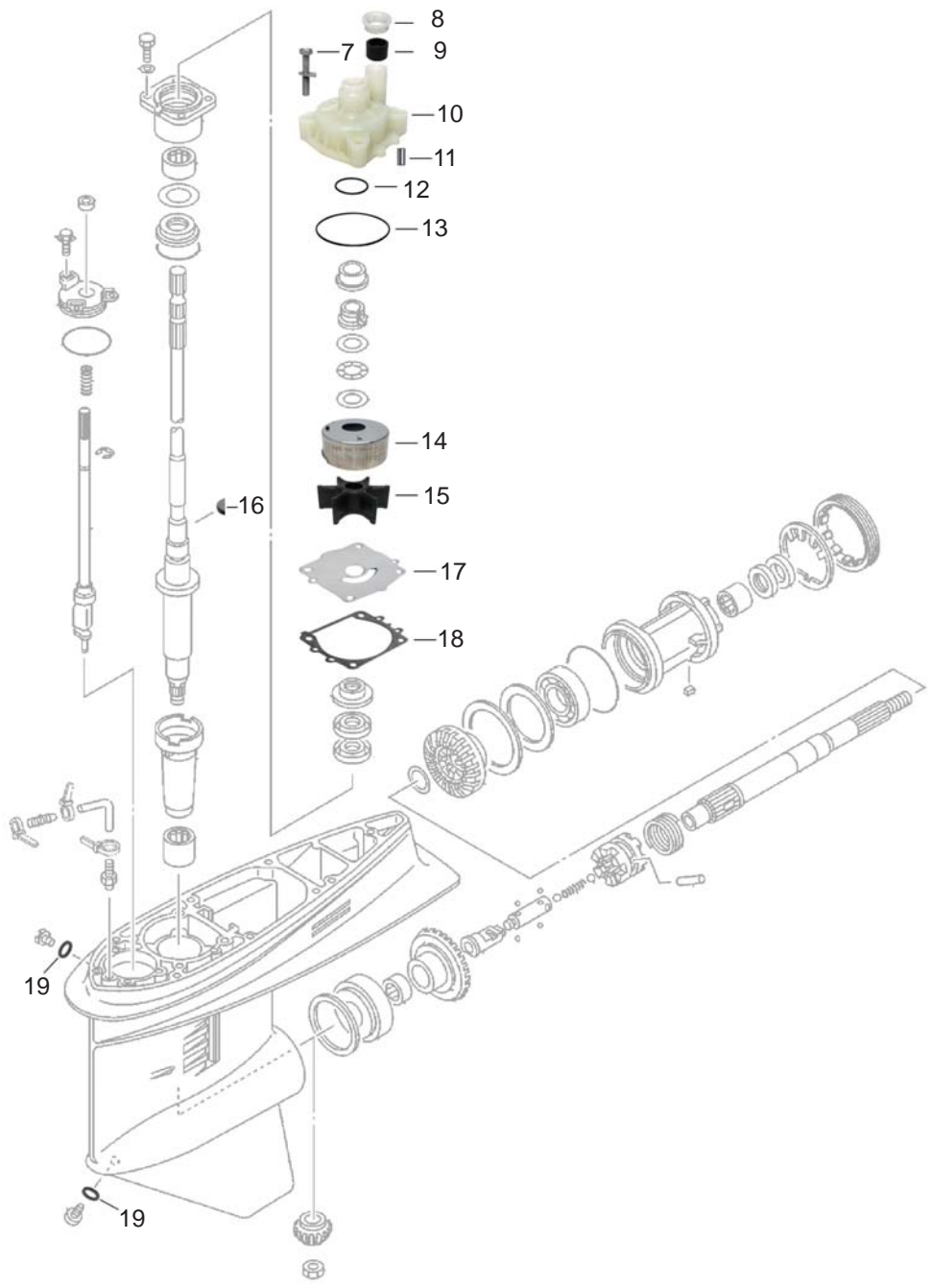
Yamaha

YAMAHA GEARCASE COMPONENTS - 115HP, F115HP (All F, LF, & C) 130HP, F130HP, 150HP, 175HP, 200HP, 220HP, 225HP & V6 SPECIAL EXC

Fits Models:

F-115 (2002-05), LF-115 (2002-05)
 C-115 (1997-00), F-115 (200-01), L-130 (1997-01), LF-115 (2000-01), S-115 (1997-99),
 S-130 (1997-99), 115 (1997-05), S-130 (1997-99), 115 (1997--05), 130 (1997-04)
 C-115 (1991-92), L-130 (1989-92), 115 (19984-92), 130 (1988-92)

- Complete Water Pump Kit
No. 12296
- Water Pump Kit w/o Housing
No. 12067
- Complete Water Pump Kit
No. 12297
- Water Pump Kit w/o Housing
No. 12286
- Complete Water Pump Kit
No. 12086
- Water Pump Kit w/o Housing
No. 12054



Yamaha

YAMAHA GEARCASE COMPONENTS - D-150HP & DX150HP

Fits Models:
B-115 (1998-99), D-150 (1997-99), DX-150 (1999-05)

Complete Water
Pump Kit

No. 12298



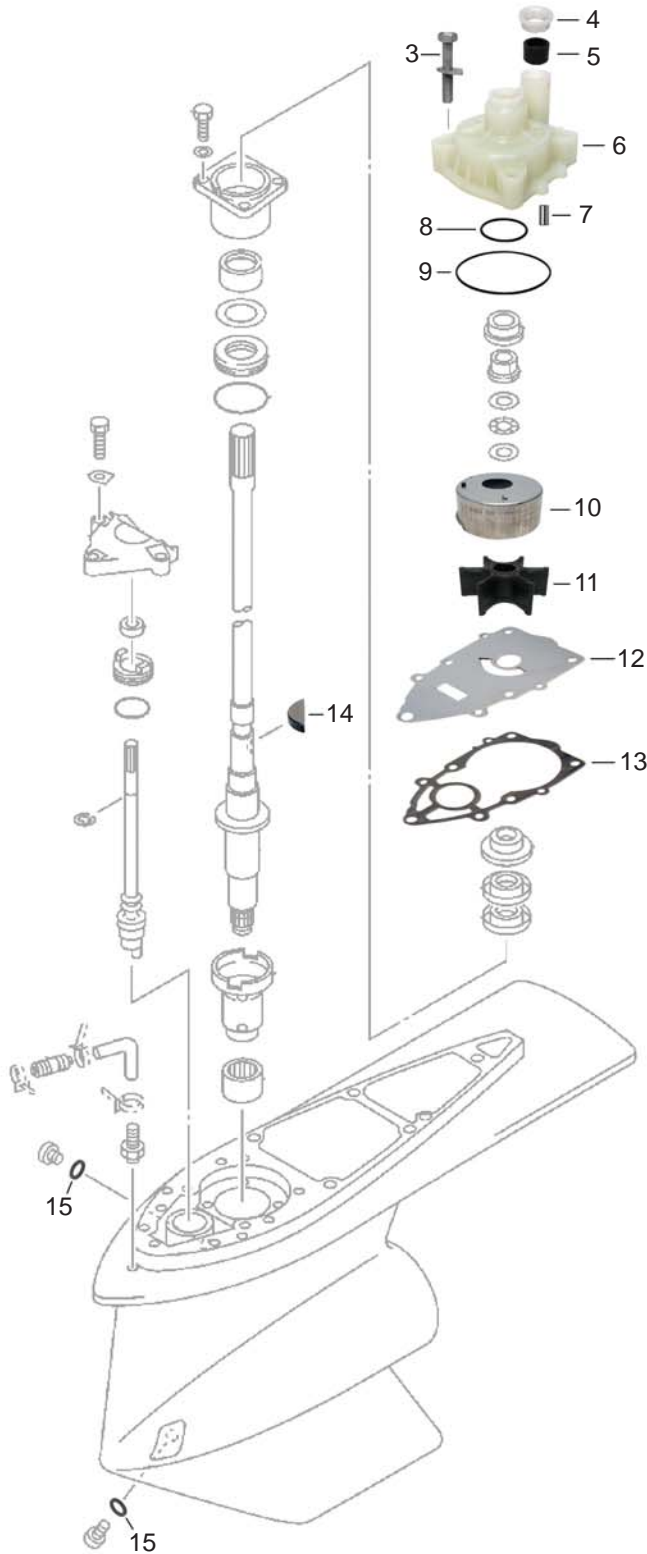
1

Water Pump Kit
w/o Housing

No. 12075



2



Yamaha

YAMAHA GEARCASE COMPONENTS - D-150HP & DX150HP

GLM No.	Ref No.	OEM No.	Description
12298	1	65N-W0078-A1 + 61A-44311-00-00	Complete Water Pump Kit
12075	2	65N-W0078-A1	Water Pump Kit w/o Housing
22504	3◆+	90119-08M14	Bolt w/ Washer (4)
12839	4	6E5-44312-00-00	Cover, Water Pump Housing
38300	5	6E5-44365-00-00	Damper
12074	6◆	61A-44311-01-00	Water Pump Housing
12808	7◆+	93606-12019	Pin, Dowell (2)
84300	8◆+	93210-37M67	O-ring
84295	9◆+	93210-86M38	O-ring
12870	10◆+	61A-44322-02	Pump Cup
89930	11◆+	6E5-44352-01-00	Impeller
12521	12◆+	65N-44323-00	Wear Plate
38007	13◆+	65N-44315-A0	Gasket, Water Pump
89588	14◆+	90280-04M05	Key, Woodruff
38015	15	90430-08020	Gasket, Drain Fill
◆ Included in Kit No. 12298			
+ Included in Kit No. 12075			

Yamaha

YAMAHA GEARCASE COMPONENTS - 115HP, 130HP, 150HP, 175HP, 200HP, 225HP, 250HP & VZ200-300HP

Fits Models:

VZ-200 (2005-09), VZ-225 (2003-09), VZ-250 (2003-09), VZ-300 (2004-09)

Complete Water Pump Kit

No. 12261



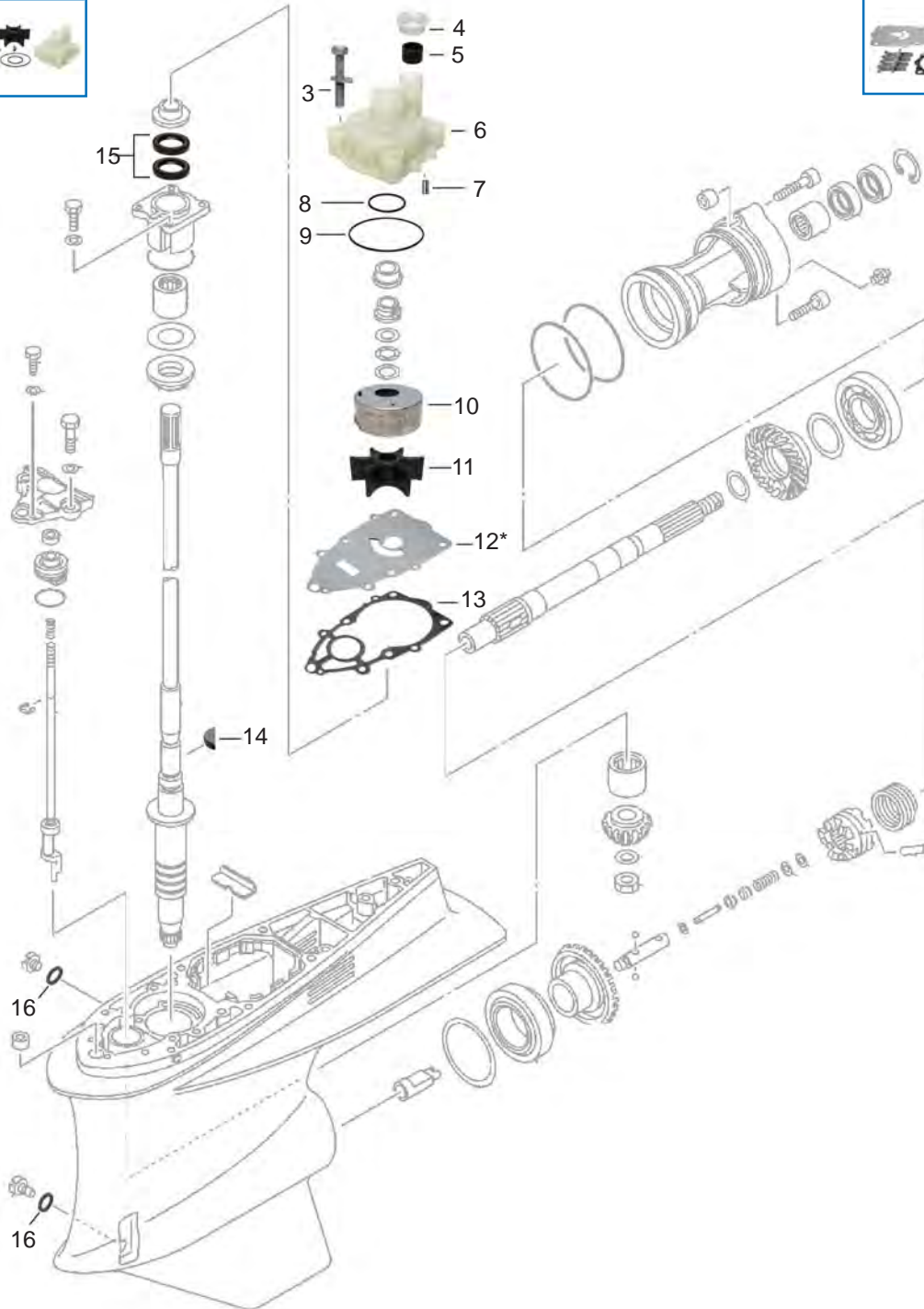
1

Water Pump Kit w/o Housing

No. 12068



2



Yamaha

YAMAHA GEARCASE COMPONENTS - 225HP, 250HP, 300HP - V6

Fits Models:
225HP, 250HP, 300HP - V6

Complete Water
Pump Kit

No. 12265



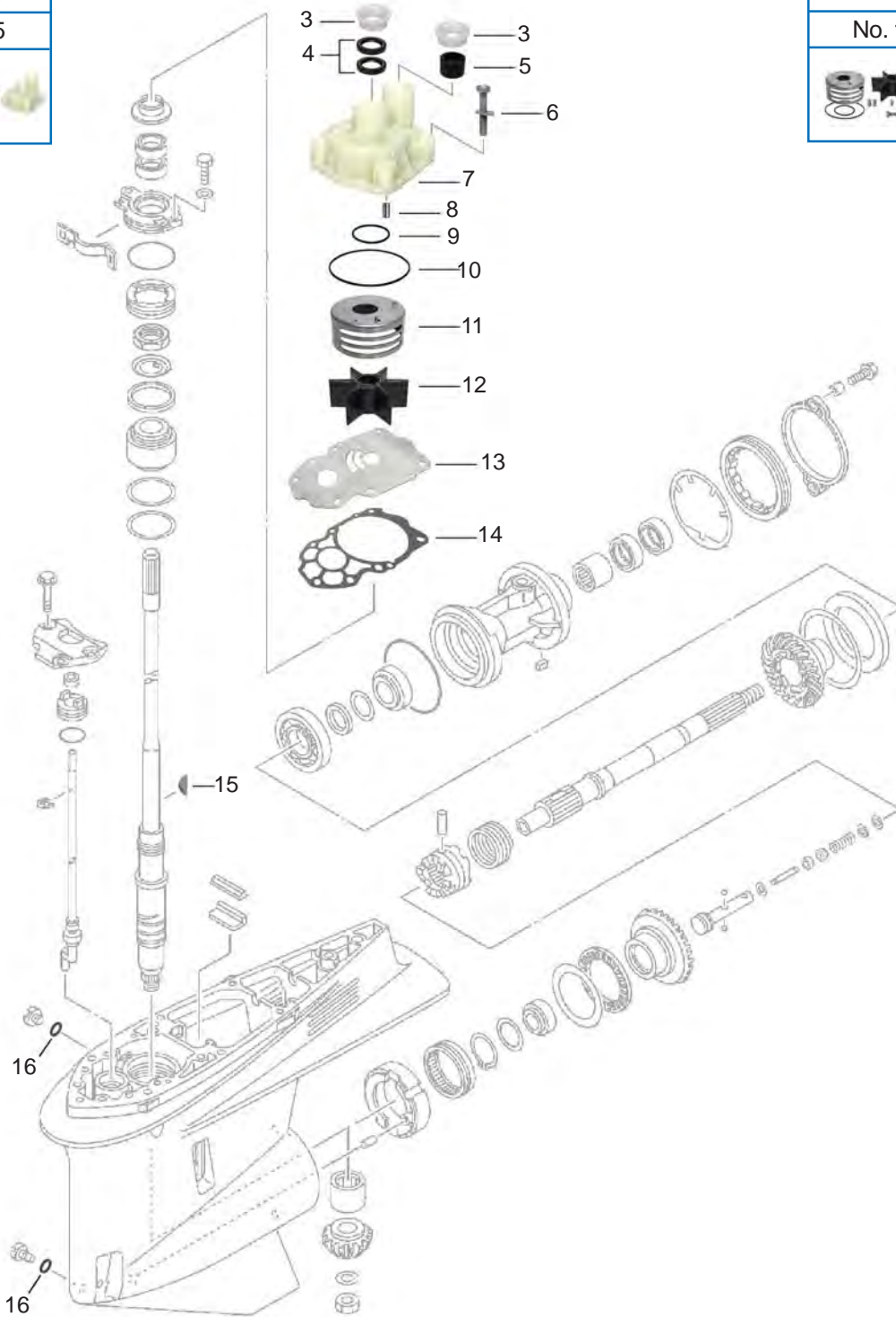
1

Water Pump Kit
w/o Housing

No. 12063



2



Yamaha

YAMAHA GEARCASE COMPONENTS - 225HP, 250HP, 300HP - V6			
GLM No.	Ref No.	OEM No.	Description
12265	1	N/A	Complete Water Pump Kit
12063	2	6CE-W0078-00	Water Pump Kit w/o Housing
12863	3◆+	6AW-44312-00-00	Cover, Water Pump Housing
85234	4◆+	93104-22M07-00	Oil Seal
12867	5◆+	6AW-44365-00-00	Damper
22504	6◆+	90119-08M14-00	Bolt w/ Washer
12406	7◆	6CE-44311-01-00	Water Pump Housing
12808	8◆+	93606-12019-00	Pin, Dowell
84300	9◆+	93210-37160-00	O-ring
45330	10◆+	93210-94003-00	O-ring
12879	11◆+	6AW-44322-00-00	Pump Cup
89300	12◆+	6CE-44352-00-00	Impeller
12531	13◆+	6CE-44323-00-00	Wear Plate
38060	14◆+	6CE-44315-00-00	Gasket, Water Pump
89585	15◆+	90280-04002-00	Key, Woodruff
38015	16	90430-08020-00	Gasket, Drain Fill
◆ Included in Kit No. 12265			
+ Included in Kit No. 12063			

Yamaha

YAMAHA GEARCASE COMPONENTS - 300HP & 350HP - V8

Fits Models:
300HP & 350HP - V8

Complete Water
Pump Kit

No. 12248



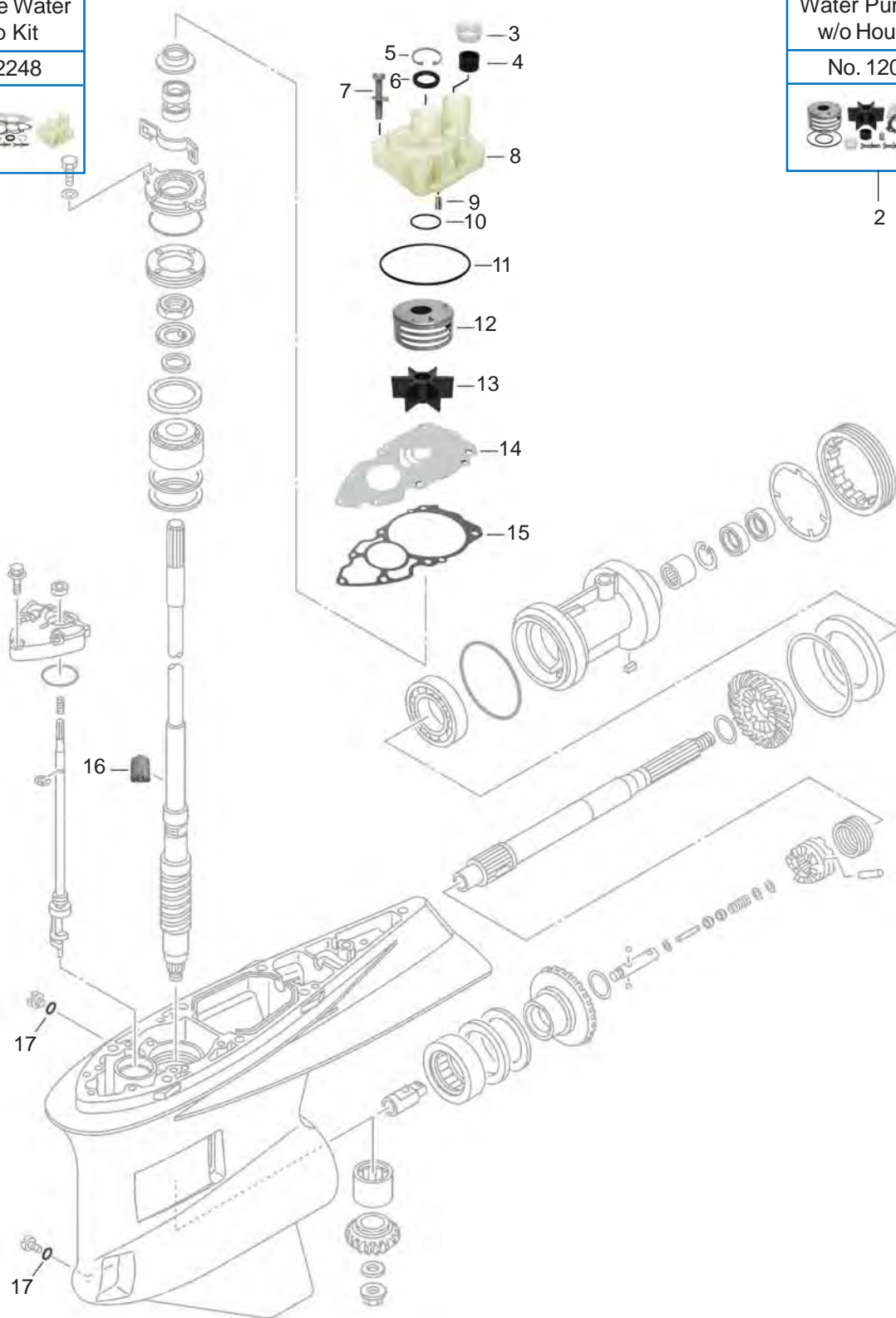
1

Water Pump Kit
w/o Housing

No. 12089



2





Section 2

Yamaha Suzuki / Honda / Tohatsu / Nissan Gearcase Seal Kits

<i>Yamaha Gearcase Seal Kits - 9.9 thru 90 HP</i>	<i>44-47</i>
<i>Yamaha Gearcase Seal Kits - V4 (115-130 HP)</i>	<i>47</i>
<i>Yamaha Gearcase Seal Kits - V6 (150-250 HP)</i>	<i>48</i>
<i>Yamaha Gearcase Seal Kits Applications</i>	<i>49</i>
<i>Yamaha Gearcase Seal Kit Components - Damper, Seals & Grommets ...</i>	<i>50</i>
<i>Yamaha Gearcase Seal Kit Components - Gaskets</i>	<i>50</i>
<i>Yamaha Gearcase Seal Kit Components - Water Pump Gaskets</i>	<i>50-51</i>
<i>Yamaha Gearcase Seal Kit Components - Muffler Gaskets</i>	<i>52</i>
<i>Yamaha Gearcase Seal Kit Components - O-rings</i>	<i>53-54</i>
<i>Yamaha Gearcase Seal Kit Components - Oil Seals</i>	<i>55</i>

YAMAHA GEARCASE SEAL KITS

No. 87843

GEARCASE SEAL KIT
OEM: N/A

Fits Models:
All 9.9 & 15 HP
2 & 4-Stroke

Reference:
63V-W0001-22-00
66M-W0001-20-00
683-W0001-C1-00
63V-W0001-21-00
6G8-W0001-C0-00
6G9-W0001-C0-00
6G8-W0001-C2-00
6G9-W0001-C2-00
6G8-W0001-C4-00
6G9-W0001-C4-00
6G8-W0001-C6-00
6G9-W0001-C6-00



Note: This is not an exact YAMAHA replacement kit. We have improved our seal kit by omitting gaskets not necessary to seal the lower unit. This kit is designed specifically to seal the lower units on all Yamaha 9.9 or 15 HP. OEM numbers for model reference only.

No. 87826

GEARCASE SEAL KIT
OEM: 6L2-W0001-C3

Fits Models:
20HP (1996-97),
25HP (1988-98, 2000, 2002-05)



YAMAHA GEARCASE SEAL KITS

No. 87827

GEARCASE SEAL KIT

OEM: 689-W0001-C2,
689-W0001-23

For 689-W0001-C2
Fits Models:
C-30HP (1991-92),
CV-25HP (1990),
CV-30HP (1989-90)

For 689-W0001-23
Fits Models:
C-25HP (1991-97)



No. 87829

GEARCASE SEAL KIT

OEM: 67C-W0001-22

Fits Models:
F-30HP (2001-05),
F-40HP (2000-05),
T-25HP (2001-05)



No. 87833

GEARCASE SEAL KIT

OEM: 6J8-W0001-C2

Fits Models:
F-25HP (1999-01),
30HP (1987, 1989-93,
1996-99, 2001-02)



YAMAHA GEARCASE SEAL KITS

No. 87812

GEARCASE SEAL KIT

OEM: 698-W0001-21,
698-W0001-C0

For 698-W0001-21

Fits Models:

C-55HP (1991-95),
E-48HP (1995, 1997-00)

For 698-W0001-C0

Fits Models:

CV-55HP (1989)



No. 87834

GEARCASE SEAL KIT

OEM: 63D-W0001-20

Fits Models:

C-40HP (1998-02),
C-50HP (1998-01),
P-40HP (1998),
P-50HP (1991-96),
40HP (1984-85),
50HP (1986-05)



No. 87836

GEARCASE SEAL KIT

OEM: 6H3-W0001-22,
6H2-W0001-20

For 6H3-W0001-22

Fits Models:

C-60HP (1996-01),
C-70HP (2000-01),
E-60HP (1995-00),
P-60HP (1991-99)

For 6H2-W0001-20

Fits Models:

60HP (2001-05),
70HP (1984-05)



YAMAHA GEARCASE SEAL KITS

No. 87837

GEARCASE SEAL KIT

OEM: 688-W0001-C0,
688-W0001-22

For 688-W0001-C0

Fits Models:
CV-85HP (1989-90)

For 688-W0001-22

Fits Models:
B-90HP (1998-99), C-75HP (1994-98),
C-80HP (1997), C-85HP (1991-96),
C-90HP (1997-01), E-75HP (1995-00),
P-75HP (1996-99), 90HP (1984-05)



V4 (115-130 HP)

No. 87838

GEARCASE SEAL KIT

OEM: 6E5-W0001-F1,
6E5-W0001-51

For 6E5-W0001-F1

Fits Models:
C-115HP (1996-00)
P-115HP (1996)
S-115HP (1996-99)
S-130HP (1997-98)
115HP (1986, 1994-05)

For 6E5-W0001-51

Fits Models:
C-115HP (1991-95)
P-115HP (1993-95)



No. 87839

GEARCASE SEAL KIT

OEM: 6F5-W0001-C1

Fits Models:

C-130HP (1996)
L-130HP (1989, 1994-01)
S-130HP (1996, 1999)
130HP (1988, 1994-04)



YAMAHA GEARCASE SEAL KITS

V6 (150-250 HP)

No. 87841

GEARCASE SEAL KIT
OEM: 6G5-W0001-C1

Fits Models:

C-150HP (1996, 1998-99),
L-150HP (1986-99), L-200HP (1986-99),
LX-150HP (1999-01), LX-200HP (1999-01),
LZ-150HP (2000-05), LZ-200HP (2000-05),
P-150HP (1991-99), P-175HP (1994-99),
P-200HP (1991-99), PW-150HP (1998),
PX-150HP (1999), S-150HP (1996-99),
S-175HP (1996-99), S-200HP (1996-99),
S-75HP (1996), SX-150HP (1999-04),
SX-200HP (1999-05), V-150HP (2000-05),
V-175HP (2000), VX-150HP (2000-04),
VZ-150HP (2000-05), VZ-175HP (1001-05),
VZ-200HP (2001-04), Z-150HP (2000-05),
Z-175HP (2001-05), Z-200HP (2000-05),
150HP (1985-05), 175HP (1985-95, 1997)
200HP (1984-98), 225HP (1990-93, 1997)



No. 87842

GEARCASE SEAL KIT
OEM: 61A-W0001-C1

Fits Models:

L-225HP (1994-96),
S-225HP (1996),
225HP (1994-96),
250HP (1990-92, 1994-95)



No. 87828

GEARCASE SEAL KIT
OEM: 65L-W0001-C0

Fits Models:

L-225HP (1997-99),
L-250HP (1990-99),
LX-225HP (2000-03),
LX-250HP (2000-03),
S-225HP (1997-99),
S-250HP (1996-99),
SX-225HP (2000-03),
SX-250HP (2000-03),



Yamaha / Suzuki / Honda / Tohatsu / Nissan

YAMAHA GEARCASE SEAL KIT APPLICATIONS					
Model / HP	Year(s)	Current Seal Kit	Model / HP	Year(s)	Current Seal Kit
9.9 / 15	All	87843	150	85-95	87841
20	96-97	87826	150	96-05	87841
25	88-98, 00, 02-05	87826	C-150	96, 98-99	87841
25	99, 01	87833	L-150	86-95	87841
C-25	91-97	87827	L-150	96-99	87841
CV-25	90	87827	P-150	91-95	87841
T-25	01-05	87829	P-150	96-99	87841
30	87, 89-93, 96-99, 01-02	87833	S-150	96-99	87841
C-30	91-92	87827	V-150	00-05	87841
CV-30	89-90	87827	PW-150	98	87841
F-30	01-05	87829	LX-150	99-01	87841
40	84-05	87834	PX-150	99	87841
C-40	98-02	87834	SX-150	99-04	87841
F-40	00-05	87829	VX-150	00-04	87841
P-40	98	87834	Z-150	00-05	87841
E-48	95, 97-00	87812	LZ-150	00-05	87841
50	86-05	87834	VZ-150	00-05	87841
C-50	98-01	87834	175	85-95	87841
P-50	91-96	87834	175	97	87841
C-55	91-95	87812	P-175	94-95	87841
C-60	96-01	87836	P-175	96-99	87841
E-60	95-00	87836	S-175	96-99	87841
P-60	91-99	87836	V-175	00	87841
C-70	00-01	87836	Z-175	01-05	87841
C-75	94-98	87837	VZ-175	01-05	87841
E-75	95-00	87837	200	84-95	87841
P-75	96-99	87837	200	96-98	87841
S-75	96	87841	L-200	86-95	87841
C-80	97	87837	L-200	96-99	87841
C-85	91-96	87837	P-200	91-95	87841
CV-85	89-90	87837	P-200	96-99	87841
90	84-05	87837	S-200	96-99	87841
B-90	98-99	87837	LX-200	99-01	87841
C-90	97-01	87837	SX-200	99-05	87841
V4			LZ-200	00-05	87841
115	86, 95	87838	Z-200	00-05	87841
115	94-05	87838	VZ-200	01-04	87841
C-115	91-95	87831	225	90-93	87841
C-115	96-00	87838	225	94-96	87842
P-115	93-95	87831	225	97	87841
P-115	96	87838	L-225	94-96	87842
S-115	96-99	87838	L-225	97-99	87828
130	88, 95	87839	S-225	96	87842
130	94-04	87839	S-225	97-99	87828
C-130	96	87839	LX-225	00-03	87828
L-130	89, 95	87839	SX-225	00-03	87828
L-130	94-01	87839	250	90-92, 94-95	87842
S-130	97-98	87838	L-250	90-99	87828
S-130	96, 99	87839	S-250	96-99	87828
V6			LX-250	00-03	87828
150	88	87841	SX-250	00-03	87828

Yamaha / Suzuki / Honda / Tohatsu / Nissan

YAMAHA GEARCASE SEAL KIT COMPONENTS

Damper - Water Seals & Grommets

<p>No. 12869 DAMPER, WATER SEAL OEM: 626-44365-01</p> 	<p>No. 12877 GROMMET, WATER TUBE OEM: 682-44365-01</p> 	<p>No. 12875 DAMPER, WATER SEAL OEM: 663-44366-00</p> 	<p>No. 38300 DAMPER, WATER SEAL OEM: 6E5-44365-00</p> 
<p>No. 38301 DAMPER, WATER SEAL OEM: 6E5-44366-00</p> 	<p>No. 38304 DAMPER, WATER SEAL OEM: 6L2-44367-00</p> 	<p>No. 38305 DAMPER, WATER SEAL OEM: 689-44366-00</p> 	<p>No. 85622 DAMPER, SEAL OEM: 682-45375-01</p> 

Gaskets

<p>No. 38015 GASKET OEM: 90430-08020</p> 	<p>No. 38025 GASKET, WATER TUBE OEM: 90430-12072</p> 	<p>No. 38022 GASKET OEM: 90430-14228</p> 
<p>No. 38023 GASKET OEM: 62Y-13475-00</p> 	<p>No. 36910 GASKET, EXHAUST TUBE OEM: 6G8-41133-A0-00</p> 	

Gaskets - Water Pump

<p>No. 38005 GASKET, CARTRIDGE OEM: 6H3-44324-A0</p> 	<p>No. 38011 GASKET, CARTRIDGE OEM: 663-44324-A0</p> 	<p>No. 38109 GASKET, CARTRIDGE OEM: 689-44324-A0</p> 
<p>No. 36930 GASKET, WATER PUMP BASE OEM: 683-45315-A0</p> 	<p>No. 38120 GASKET, WATER PUMP BASE OEM: 6G8-45315-A0</p> 	<p>No. 38130 GASKET, WATER PUMP BASE OEM: 63V-45315-A0</p> 

Yamaha / Suzuki / Honda / Tohatsu / Nissan

YAMAHA GEARCASE SEAL KIT COMPONENTS

Gaskets - Water Pump

No. 38000

GASKET, WATER PUMP
OEM: 6E5-44315-A0



No. 38001

GASKET, WATER PUMP
OEM: 688-44315-A0



No. 38002

GASKET, WATER PUMP
OEM: 688-44316-A0



No. 38004

GASKET, WATER PUMP
OEM: 6H3-44315-A0



No. 38007

GASKET, WATER PUMP
OEM: 65N-44315-A0



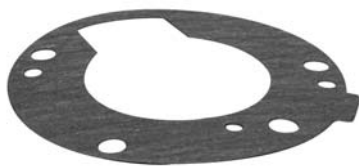
No. 38008

GASKET, WATER PUMP
OEM: 63D-44316-00



No. 38009

GASKET, WATER PUMP
OEM: 689-44315-A0



No. 38010

GASKET, WATER PUMP
OEM: 663-44316-A0



No. 38106

GASKET, WATER PUMP
OEM: 663-44315-A0



No. 38107

GASKET, WATER PUMP
OEM: 682-44315-A0



No. 38108

GASKET, WATER PUMP
OEM: 689-44316-A0



No. 38003

GASKET, WATER PUMP
OEM: 688-44324-A0



Yamaha / Suzuki / Honda / Tohatsu / Nissan

YAMAHA GEARCASE SEAL KIT COMPONENTS

Gaskets - Muffler

No. 38014

GASKET, MUFFLER
OEM: 61A-45123-01



No. 38018

GASKET, MUFFLER
OEM: 63D-45123-00



No. 38021

GASKET, MUFFLER
OEM: 67C-45123-00



No. 38029

GASKET, MUFFLER
OEM: 6E5-45123-00



No. 38032

GASKET, MUFFLER
OEM: 663-45123-00



No. 38036

GASKET, MUFFLER
OEM: 688-45123-00



No. 38038

GASKET, MUFFLER
OEM: 6H3-45123-00



No. 38040

GASKET, EXHAUST MANIFOLD
OEM: 6L2-41134-00



No. 38035

GASKET, CARTRIDGE
OEM: 688-41133-00



No. 38302

SEAL
OEM: 6H3-45127



No. 38303

SEAL
OEM: 62Y-45127



Yamaha / Suzuki / Honda / Tohatsu / Nissan

YAMAHA GEARCASE SEAL KIT COMPONENTS

O-rings

No. 80160

O-RING
OEM: 93210-16772-00

**No. 84200**

O-RING
OEM: 93210-33MG4

**No. 84205**

O-RING
OEM: 93210-65752

**No. 84210**

O-RING
OEM: 93211-04384

**No. 84215**

O-RING
OEM: 93210-54534

**No. 84220**

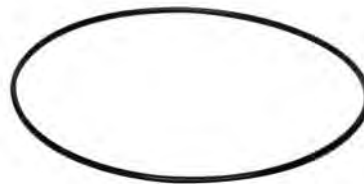
O-RING
OEM: 93210-48MG8

**No. 84225**

O-RING
OEM: 93210-69MG6

**No. 84230**

O-RING
OEM: 93210-74775

**No. 84235**

O-RING
OEM: 93210-06ME6

**No. 84240**

O-RING
OEM: 93210-58677

**No. 84245**

O-RING
OEM: 93210-97M55

**No. 84250**

O-RING
OEM: 93210-86M39

**No. 84255**

O-RING
OEM: 93210-49046

**No. 84260**

O-RING
OEM: 93210-41042

**No. 84265**

O-RING
OEM: 93210-66M98



Yamaha / Suzuki / Honda / Tohatsu / Nissan

YAMAHA GEARCASE SEAL KIT COMPONENTS

O-rings

No. 84270

O-RING
OEM: 93210-85M97



No. 84275

O-RING
OEM: 93210-60MA3



No. 84280

O-RING
OEM: 93210-60M99



No. 84285

O-RING
OEM: 93210-40M10



No. 84290

O-RING
OEM: 93210-46044



No. 84295

O-RING
OEM: 93210-86M38



No. 84300

O-RING
OEM: 93210-37M67



No. 84305

O-RING
OEM: 93210-59MG7



No. 84310

O-RING
OEM: 93210-45161



No. 84320

O-RING
OEM: 93210-08M60



No. 84335

O-RING
OEM: 93210-74316



No. 84340

O-RING
OEM: 93210-74M68



No. 84350

O-RING
OEM: 93210-56M80



No. 84360

O-RING
OEM: 93210-57M09-00



No. 45340

O-RING
OEM: 93210-06ME6



Yamaha / Suzuki / Honda / Tohatsu / Nissan

YAMAHA GEARCASE SEAL KIT COMPONENTS

Oil Seals

No. 85221

OIL SEAL
OEM: 93101-30M17



No. 85222

OIL SEAL
OEM: 93101-28M16



No. 85223

OIL SEAL
OEM: 93106-09014



No. 85224

OIL SEAL
OEM: 93101-25M57



No. 85225

OIL SEAL
OEM: 93101-22067



No. 85226

OIL SEAL
OEM: 93110-16004



No. 85227

OIL SEAL
OEM: 93101-22M60



No. 85228

OIL SEAL
OEM: 93101-23070



No. 85229

OIL SEAL
OEM: 93101-25M03



No. 85231

OIL SEAL
OEM: 93101-20M07



No. 85232

OIL SEAL
OEM: 93102-20484



No. 85660

OIL SEAL
OEM: 93101-17054



No. 85661

OIL SEAL
OEM: 93102-20484



No. 85658

OIL SEAL
OEM: 93101-13M27





Section 3

Yamaha Suzuki / Honda / Tohatsu / Nissan Water Pumps & Thermostats

<i>Yamaha Water Pump Impellers</i>	58-59
<i>Yamaha Water Pump Kits - 9.9-15 HP</i>	60-61
<i>Yamaha Water Pump Kits - 20-25HP</i>	62
<i>Yamaha Water Pump Kits - 25, 30, 40 & 50HP 3-Cylinder</i>	63
<i>Yamaha Water Pump Kits - 25 & 30HP</i>	64
<i>Yamaha Water Pump Kits - 40-50 HP</i>	65-66
<i>Yamaha Water Pump Kits - F-25-F40 HP 4-Stroke</i>	67
<i>Yamaha Water Pump Kits - 55 HP</i>	68
<i>Yamaha Water Pump Kits - 50-70 HP</i>	69
<i>Yamaha Water Pump Kits - 60-70 HP</i>	70
<i>Yamaha Water Pump Kits - 70-90 HP</i>	71
<i>Yamaha Water Pump Kits - 75-100 HP</i>	72
<i>Yamaha Water Pump Kits - 115 HP</i>	73
<i>Yamaha Water Pump Kits - 115-130 HP</i>	74-75
<i>Yamaha Water Pump Kits - 115 HP & 150 HP</i>	76
<i>Yamaha Water Pump Kits - 150-300 HP 2-Stroke</i>	77
<i>Yamaha Water Pump Kits - 150-300 HP</i>	78-79
<i>Yamaha Water Pump Kits - 300 HP V6</i>	80
<i>Yamaha Water Pump Kits - 300-350 HP V8 4-Stroke</i>	81
<i>Yamaha Water Pump Kit Applications</i>	82-84
<i>Yamaha Thermostats</i>	85
<i>Yamaha Thermostat Applications</i>	86

Yamaha / Suzuki / Honda / Tohatsu / Nissan

YAMAHA WATER PUMP IMPELLERS

No. 89870

IMPELLER
OEM: 6G1-44352-00
See Water Pumps
Application Guide
for Models



*No. N/A

KEY, HALF MOON
OEM: 28-81912M

*Order Separately

No. 89860

IMPELLER
OEM: 6E0-44352-00
See Water Pumps
Application Guide
for Models



*No. N/A

KEY, PIN
OEM: 17-82355M

*Order Separately

No. 89850

IMPELLER
OEM: 646-44352-01
See Water Pumps
Application Guide
for Models



*No. N/A

KEY, PIN
OEM: 17-82355M

*Order Separately

No. 89660

IMPELLER
OEM: 6F5-44352-00
See Water Pumps
Application Guide
for Models



*No. 89595

KEY, WOODRUFF
OEM: 90280-04M04-00

*Order Separately

No. 89619

IMPELLER
OEM: 63V-44352-01
See Water Pumps
Application Guide
for Models



*No. 89589

KEY, WOODRUFF
OEM: 664-44338-00

*Order Separately

No. 89900

IMPELLER
OEM: 6H4-44352-02-00
See Water Pumps
Application Guide
for Models



*No. 89587

KEY, WOODRUFF
OEM: 90280-03024

*Order Separately

No. 89880

IMPELLER
OEM: 682-44352-03
See Water Pumps
Application Guide
for Models



*No. 89587

KEY, WOODRUFF
OEM: 90280-03024

*Order Separately

No. 89622

IMPELLER
OEM: 6L2-44352-00
See Water Pumps
Application Guide
for Models



*No. 89587

KEY, WOODRUFF
OEM: 90280-03024

*Order Separately

No. 89890

IMPELLER
OEM: 689-44352-02
See Water Pumps
Application Guide
for Models



*No. 89589

KEY, WOODRUFF
OEM: 664-44338-00

*Order Separately

Yamaha / Suzuki / Honda / Tohatsu / Nissan

YAMAHA WATER PUMP IMPELLERS

No. 89960

IMPELLER
OEM: 6AW-44352-00
See Water Pumps
Application Guide
for Models



*No. 89586

KEY
OEM: 6AW-44336-00

*Order Separately

No. 89300

IMPELLER
OEM: 6CE-44352-00-00
See Water Pumps
Application Guide
for Models



*No. 89588

KEY, WOODRUFF
OEM: 90280-04M05-00, 90280-04002-00

*Order Separately

No. 89624

IMPELLER
OEM: 67F-44352-00
See Water Pumps
Application Guide
for Models



*No. 89595

KEY, WOODRUFF
OEM: 90280-04M04-00

*Order Separately

No. 89920

IMPELLER
OEM: 688-44352-03
See Water Pumps
Application Guide
for Models



*No. 89595

KEY, WOODRUFF
OEM: 90280-04M04-00

*Order Separately

No. 89910

IMPELLER
OEM: 6H3-44352-00
See Water Pumps
Application Guide
for Models



*No. 89599

KEY, WOODRUFF
OEM: 90280-03M03-00

*Order Separately

No. 89930

IMPELLER
OEM: 6E5-44352-01-00
See Water Pumps
Application Guide
for Models



*No. 89588

KEY, WOODRUFF
OEM: 90280-04M05-00, 90280-04002-00

*Order Separately

Yamaha / Suzuki / Honda / Tohatsu / Nissan

YAMAHA WATER PUMP KITS - 9.9-15 HP

No. 12281

COMPLETE WATER PUMP KIT
OEM: 682-W0078-A1-00 +
682-44300-01-00

No. 12278

WATER PUMP KIT w/o HOUSING
OEM: 682-W0078-A1



Kits contain these items also available individually

No. 22428

BOLT (4)
OEM: 97095-06040



No. 89587

KEY, WOODRUFF
OEM: 90280-03024



No. 12877

DAMPER, WATER SEAL
OEM: 682-44365-00



No. 38107

GASKET, WATER PUMP
OEM: 682-44315-A0



No. 12448

WATER PUMP HSG ASSY.
OEM: 682-44300-01-00



No. 12515

WEAR PLATE
OEM: 682-44323-00



No. 12876

PUMP CUP
OEM: 682-44322-00



No. 38107

GASKET, WATER PUMP
OEM: 682-44315-A0



No. 89880

IMPELLER
OEM: 682-44352-03



No. 21490

WASHER (4)
OEM: 92990-06600-00



No. 12278 Fits Models:

F-9.9HP (1986-95), FT-9.9HP (1985-90), T-9.9HP (1991-96), 15HP (1984-95), 9.9HP (1984-95)

No. 12281 Fits Models:

F-9.9HP (1997-03), T-9.9HP (1997-99, 2001-03), F-9.9HP (2004), T9.9HP (2004)

Yamaha / Suzuki / Honda / Tohatsu / Nissan

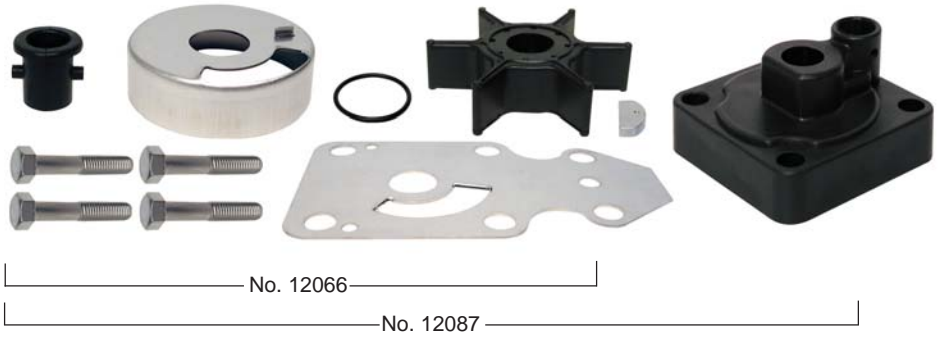
YAMAHA WATER PUMP KITS - 9.9-15 HP

No. 12087

COMPLETE WATER PUMP KIT
 OEM: 63V-W0078-01
 + 63V-44301-00-00

No. 12066

WATER PUMP KIT w/o HOUSING
 OEM: 63V-W0078-01



Kits contain these items also available individually

No. 22502

BOLT (4)
 OEM: 97080-08045



No. 89589

KEY, WOODRUFF
 OEM: 664-44338-00



No. 12865

DAMPER, WATER SEAL
 OEM: 647-44366-00



No. 12517

WEAR PLATE
 OEM: 682-44323-00



No. 12445

WATER PUMP HOUSING
 OEM: 63V-44301-00-00



No. 82250

O-RING
 OEM: 93210-44704-00



No. 12809

PUMP CUP
 OEM: 63V-44322-00



No. 89619

IMPELLER
 OEM: 63V-44352-01



Fits Models:

F-15HP (1998-05), F-9.9HP (2005), T-9.9HP (2005), 15HP (1996-04), 9.9HP (1996-05)

Yamaha / Suzuki / Honda / Tohatsu / Nissan

YAMAHA WATER PUMP KITS - 20-25 HP

No. 12267

COMPLETE WATER PUMP KIT
 OEM: 6L2-W0078-00 +
 6L2-44311-00-00

No. 12277

WATER PUMP KIT
 w/o HOUSING
 OEM: 6L2-W0078-00



Kit contains these items also available individually

No. 22428

BOLT (4)
 OEM: 97095-06040



No. 89587

KEY, WOODRUFF
 OEM: 90280-03024



No. 12455

WATER PUMP HOUSING
 OEM: 6L2-44311-00-00



No. 12508

WEAR PLATE
 OEM: 6L2-44323-00



No. 84310

O-RING
 OEM: 93210-45161



No. 21490

WASHER (4)
 OEM: 92990-06600-00



No. 12866

PUMPCUP
 OEM: 6L2-44322-00



No. 89622

IMPELLER
 OEM: 6L2-44352-00



Fits Models:
 20HP (1996-97), 25HP (1988-98, 2000-01, 2003-04)

Yamaha / Suzuki / Honda / Tohatsu / Nissan

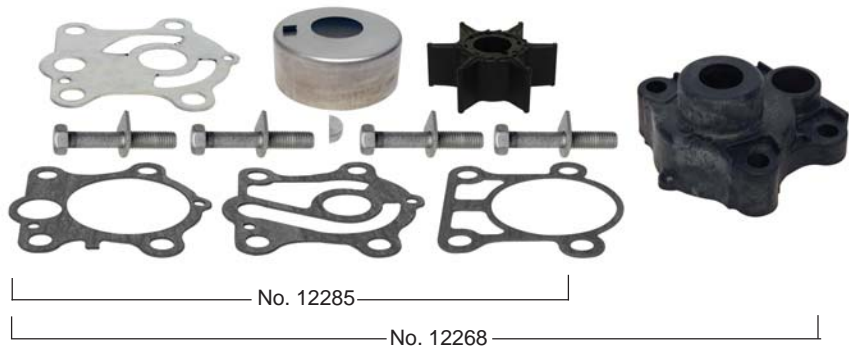
YAMAHA WATER PUMP KITS - 25, 30, 40 & 50 HP 3-CYL.

No. 12268

COMPLETE WATER PUMP KIT
OEM: 6J8-W0078-A2 +
6J8-44311-00

No. 12285

WATER PUMP KIT
w/o HOUSING
OEM: 6J8-W0078-A2



Kit contains these items also available individually

No. 22292

BOLT w/ WASHER (2)
OEM: 90119-08M34



No. 89587

KEY, WOODRUFF
OEM: 90280-03024



No. 22508

BOLT w/ WASHER (2)
OEM: 90119-08M13-00



No. 38106

GASKET, WATER PUMP
OEM: 663-44315-A0



No. 12452

WATER PUMP HOUSING
OEM: 6J8-44311-00-00



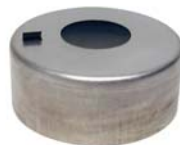
No. 12526

WEAR PLATE
OEM: 663-44323-00



No. 12864

PUMP CUP
OEM: 663-44322-00



No. 38011

GASKET, WEAR PLATE
OEM: 663-44324-A0



No. 89900

IMPELLER
OEM: 6H4-44352-02-00



No. 38010

GASKET, WATER PUMP
OEM: 663-443160-A0



Fits Models:
25HP (1999, 2001-02), 30HP (1997-99, 2001-02)

YAMAHA WATER PUMP KITS - 25 & 30 HP

No. 12059

COMPLETE WATER PUMP KIT
OEM: 689-W0078-A6



Kit contains these items also available individually

No. 12869

DAMPER, WATER SEAL
OEM: 626-44365-01



No. 89589

KEY, WOODRUFF
OEM: 664-44338-00



No. 22427

BOLT (3)
OEM: 90119-06M07-00



No. 38109

GASKET, PUMP CUP
OEM: 689-44324-A0



No. 12076

WATER PUMP HOUSING
OEM: 689-44311-03



No. 12527

WEAR PLATE
OEM: 689-44323-03



No. 12868

PUMP CUP
OEM: 626-W4432-02-00



No. 38108

GASKET, WEAR PUMP
OEM: 689-44316-A0



No. 89890

IMPELLER
OEM: 689-44352-00



Fits Models:

C-25HP (1991-97), 30HP (1987,1989-93,1996), CV-25HP (1990),
30HP (1989-90), 25HP (1986-87), 30HP (1986)

Yamaha / Suzuki / Honda / Tohatsu / Nissan

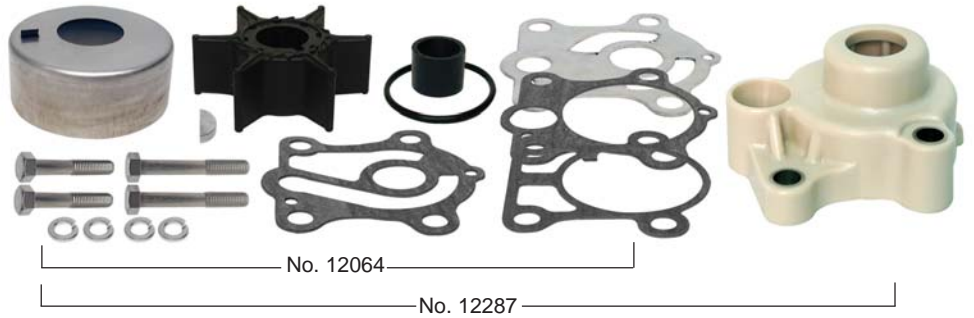
YAMAHA WATER PUMP KITS - 40-50 HP

No. 12287

COMPLETE WATER PUMP KIT
OEM: 6H4-W0078-A0
+ 663-44311-02-00

No. 12064

WATER PUMP KIT
w/o HOUSING
OEM: 6H4-W0078-A0



Kits contain these items also available individually

No. 22503

BOLT (2)
OEM: 97395-08055



No. 89587

KEY, WOODRUFF
OEM: 90280-03024



No. 22502

BOLT (2)
OEM: 97395-08045



No. 38106

GASKET, WATER PUMP
OEM: 663-44315-A0



No. 12875

DAMPER, WATER SEAL
OEM: 663-44366-00



No. 12526

WEAR PLATE
OEM: 663-44323-00



No. 12446

WATER PUMP HOUSING
OEM: 663-44311-02-00



No. 38011

GASKET, WEAR PLATE
OEM: 663-44324-A0



No. 12864

PUMP CUP
OEM: 663-44322-00



No. 38010

GASKET, WATER PUMP
OEM: 663-443160-A0



No. 89900

IMPELLER
OEM: 6H4-44352-02-00



No. 21720

WASHER (4)
OEM: 92990-08600-00



Fits Models:

P-50HP (1991-94), 40HP (1984-94), 50HP (1986-94)

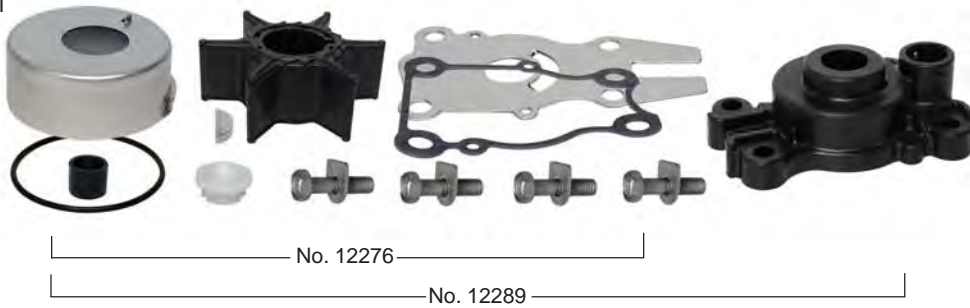
YAMAHA WATER PUMP KITS - 40-50 HP

No. 12289

COMPLETE WATER PUMP KIT
OEM: 63D-W0078-01
+ 63D-44311-00-00

No. 12276

WATER PUMP KIT
w/o HOUSING
OEM: 63D-W0078-01



Kits contain these items also available individually

No. 12874

COVER, PUMP HSG.
OEM: 63D-44312-00



No. 89910

IMPELLER
OEM: 6H3-44352-00



No. 12875

DAMPER, WATER SEAL
OEM: 663-44366-00



No. 89587

KEY, WOODRUFF
OEM: 90280-03024



No. 22429

BOLT w/ WASHER (4)
OEM: 90119-08M15



No. 84305

O-RING
OEM: 93210-59MG7



No. 12079

WATER PUMP HOUSING
OEM: 61A-44311-01-00



No. 12524

WEAR PLATE
OEM: 63D-44323-00



No. 12873

PUMP CUP
OEM: 63D-44322-00



No. 38008

GASKET, WATER PUMP
OEM: 63D-44316-00



Fits Models:

C-40HP (1998-02), C-50HP (1998-01), F-40HP (1999), F-50HP (1996-05), F-60HP (2002-05)
P-40HP (1998), P-50HP (1995-96), T-50HP (2002-04), 40HP (1995-05), 50HP (1995-96, 1998-05)

Yamaha / Suzuki / Honda / Tohatsu / Nissan

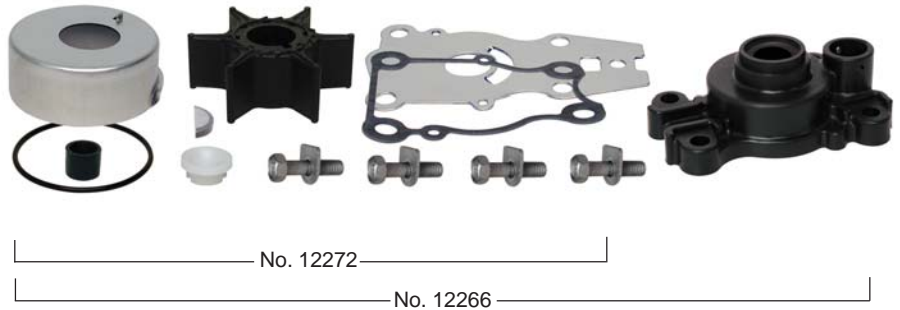
YAMAHA WATER PUMP KITS - F-25-F40 HP 4-Stroke

No. 12272

WATER PUMP KIT
w/o HOUSING
OEM: 66T-W0078-00

No. 12266

COMPLETE WATER PUMP KIT
OEM: 66T-W0078-00 +
66T-44311-00



Kits contain these items also available individually

No. 12874

COVER, PUMP HSG.
OEM: 63D-44312-00



No. 89900

IMPELLER
OEM: 6H4-44352-02



No. 12875

DAMPER, WATER SEAL
OEM: 663-44366-00



No. 89599

KEY, WOODRUFF
OEM: 90280-03M03



No. 22429

BOLT w/ WASHER (4)
OEM: 90119-08M15



No. 84305

O-RING
OEM: 93210-59MG7



No. 12451

WATER PUMP HOUSING
OEM: 66T-44311-00



No. 12512

WEAR PLATE
OEM: 66T-44323-00



No. 12873

PUMPCUP
OEM: 63D-44322-00



No. 38008

GASKET, WATER PUMP
OEM: 63D-44316-00



Fits Models:

T-25HP (2001-05), F-30HP (2001-05) & F-40HP (2000 & Up)

Yamaha / Suzuki / Honda / Tohatsu / Nissan

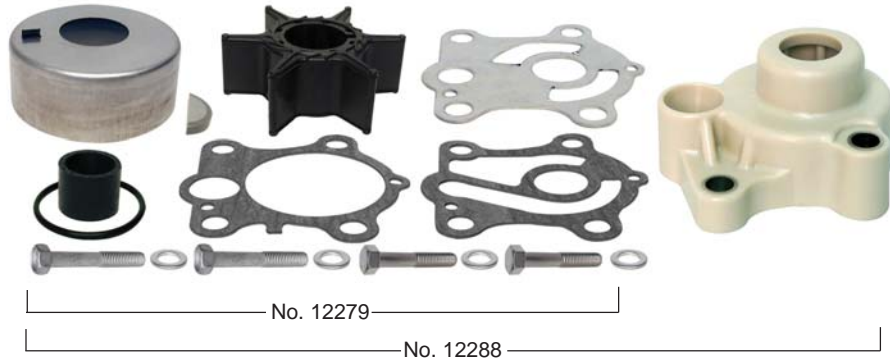
YAMAHA WATER PUMP KITS - 55 HP

No. 12288

COMPLETE WATER PUMP KIT
 OEM: 663-W0078-01,
 663-W0078-A0
 + 663-44311-02-00

No. 12279

WATER PUMP KIT
 w/o HOUSING
 OEM: 663-W0078-01,
 663-W0078-A0



Kits contain these items also available individually

No. 12875

DAMPER, WATER SEAL
 OEM: 663-44366-00



No. 12526

WEAR PLATE
 OEM: 663-44323-00



No. 12446

WATER PUMP HOUSING
 OEM: 663-44311-02-00



No. 38011

GASKET, PUMP CUP
 OEM: 663-44324-A0



No. 12864

PUMP CUP
 OEM: 663-44322-00



No. 22503

BOLT (2)
 OEM: 97395-08055



No. 89910

IMPELLER
 OEM: 6H3-44352-00



No. 22502

BOLT (2)
 OEM: 97395-08055



No. 89599

KEY, WOODRUFF
 OEM: 90280-03M03-00



No. 21720

WASHER (4)
 OEM: 92990-08600-00



No. 38106

GASKET, WATER PUMP
 OEM: 663-44315-A0



Fits Models:
 C-55HP (1992-95), C-55HP (1991), CV-55HP (1989)

YAMAHA WATER PUMP KITS - 50-70 HP

No. 12291

COMPLETE WATER PUMP KIT
OEM: 6H3-W0078-02
+ 6H3-44311-02-00

No. 12283

WATER PUMP KIT
w/o HOUSING
OEM: 6H3-W0078-02



Kits contain these items also available individually

No. 22291

BOLT w/ WASHER (2)
OEM: 90119-08M33-00



No. 38004

GASKET, WATER PUMP
OEM: 6H3-44315-A0



No. 22504

BOLT w/ WASHER (2)
OEM: 90119-08M14-00



No. 12514

WEAR PLATE
OEM: 6H3-44323-00



No. 12447

WATER PUMP HOUSING
OEM: 6H3-44311-02-00



No. 38005

GASKET, WEAR PLATE
OEM: 6H3-44324-A0



No. 12864

PUMP CUP
OEM: 663-44322-00



No. 38002

GASKET, WATER PUMP
OEM: 688-44316-A0



No. 89910

IMPELLER
OEM: 6H3-44352-00



No. 84290

O-RING
OEM: 93210-46044-00



No. 89599

KEY, WOODRUFF
OEM: 90280-03M03-00



Fits Models:

C-60HP (1997-01), C-70HP (2000-01), P-60HP (1997-99), T-50HP (1997-01, 2003, 2005),
T-60HP (2003-05), 60HP (2003), 70HP (1997-03)

Yamaha / Suzuki / Honda / Tohatsu / Nissan

YAMAHA WATER PUMP KITS - 60-70 HP

No. 12292

COMPLETE WATER PUMP KIT
OEM: 6H3-W0078-01
+ 6H3-44311-02-00



No. 12057

WATER PUMP KIT
w/o HOUSING
OEM: 6H3-W0078-01

Kits contain these items also available individually

No. 22291

BOLT w/ WASHER (2)
OEM: 90119-08M33-00



No. 38004

GASKET, WATER PUMP
OEM: 6H3-44315-A0



No. 22504

BOLT w/ WASHER (2)
OEM: 90119-08M14-00



No. 12514

WEAR PLATE
OEM: 6H3-44323-00



No. 12447

WATER PUMP HOUSING
OEM: 6H3-44311-02-00



No. 38005

GASKET, WEAR PLATE
OEM: 6H3-44324-00



No. 12864

PUMP CUP
OEM: 663-44322-00



No. 38002

GASKET, WATER PUMP
OEM: 688-44316-A0



No. 89910

IMPELLER
OEM: 6H3-44352-00



No. 84290

O-RING
OEM: 93210-46044-00



No. 89599

KEY, WOODRUFF
OEM: 90280-03M03



Fits Models:

C-60HP (1996), E-60HP (1995-96), P-60HP (1992-96), 70HP (1992-96)



Yamaha / Suzuki / Honda / Tohatsu / Nissan

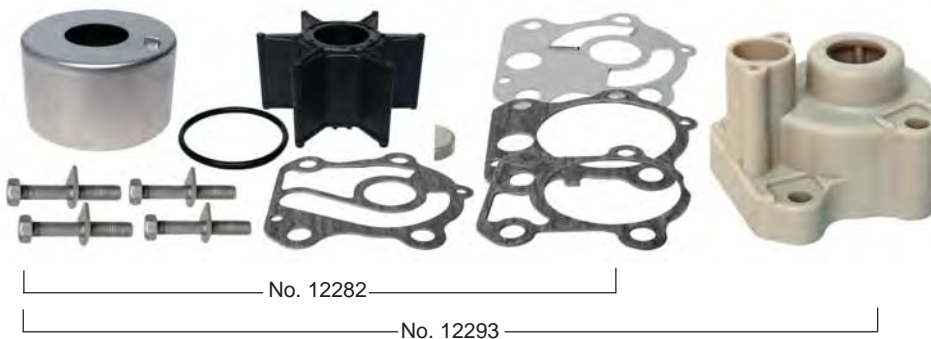
YAMAHA WATER PUMP KITS - 70-90 HP

No. 12293

COMPLETE WATER PUMP KIT
OEM: 692-W0078-02
+ 688-44311-01-00

No. 12282

WATER PUMP KIT
w/o HOUSING
OEM: 692-W0078-02



Kits contain these items also available individually

No. 22293

BOLT w/ WASHER (2)
OEM: 90119-08M16-00



No. 38001

GASKET, WATER PUMP
OEM: 688-44315-A0



No. 22508

BOLT w/ WASHER (2)
OEM: 90119-08M13-00



No. 12513

WEAR PLATE
OEM: 688-44323-00



No. 12078

WATER PUMP HOUSING
OEM: 688-44311-01-00



No. 38003

GASKET, WEAR PLATE
OEM: 688-44324-A0



No. 12862

PUMP CUP
OEM: 688-44322-00



No. 38002

GASKET, WATER PUMP
OEM: 688-44316-A0



No. 89920

IMPELLER
OEM: 688-44352-03



No. 84290

O-RING
OEM: 93210-46044-00



No. 89595

KEY, WOODRUFF
OEM: 90280-04M04



Fits Models:

B-90HP (1998-99), C-75HP (1998-99), C-80HP (1997), C-90HP (1997-01),
E-75HP (2000), P-75HP (1997-99), 60HP (2004-05), 70HP (2004-05), 90HP (1997-05)

Yamaha / Suzuki / Honda / Tohatsu / Nissan

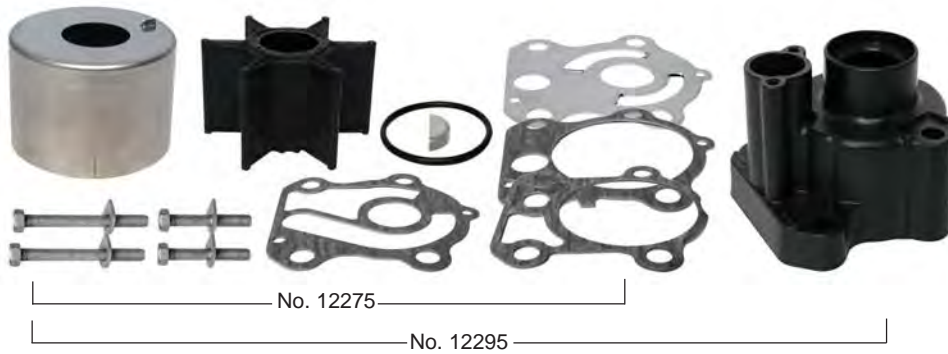
YAMAHA WATER PUMP KITS - 75-100 HP

No. 12295

COMPLETE WATER PUMP KIT
OEM: 67F-W0078-00
+ 67F-44311-01-00

No. 12275

WATER PUMP KIT
w/o HOUSING
OEM: 67F-W0078-00



Kits contain these items also available individually

No. 22509

BOLT w/ WASHER (2)
OEM: 90119-08M87



No. 38001

GASKET, WATER PUMP
OEM: 688-44315-A0



No. 22508

BOLT w/ WASHER (2)
OEM: 90119-08M13



No. 12523

WEAR PLATE
OEM: 67F-44323-00



No. 12443

WATER PUMP HOUSING
OEM: 67F-44311-01-00



No. 38003

GASKET, WEAR PLATE
OEM: 688-44324-A0



No. 12872

PUMP CUP
OEM: 67F-44322-00



No. 38002

GASKET, WATER PUMP
OEM: 688-44316-A0



No. 89624

IMPELLER
OEM: 67F-44352-00



No. 84290

O-RING
OEM: 93210-46044



No. 89595

KEY, WOODRUFF
OEM: 90280-04M04



Fits Models:

F-100HP (2000-02), F-75HP (2003-05), F-80HP (1999-03), F-90HP (2003-05), FT-80HP (2002-03)

Yamaha / Suzuki / Honda / Tohatsu / Nissan

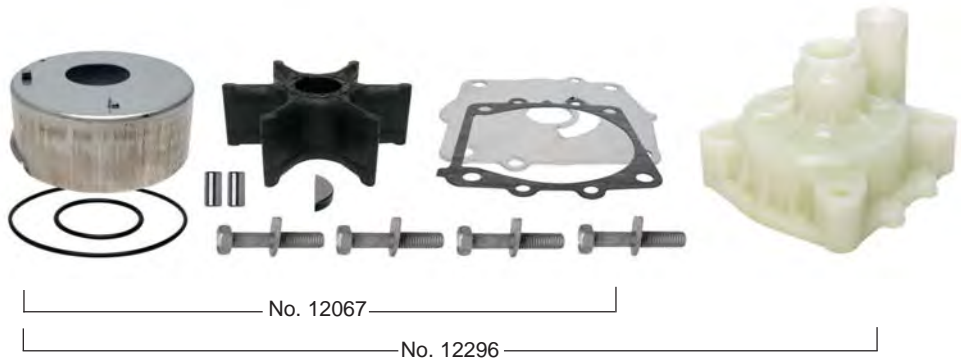
YAMAHA WATER PUMP KITS - 115 HP

No. 12296

COMPLETE WATER PUMP KIT
OEM: 68V-W0078-00
+ 61A-44311-00-00

No. 12067

WATER PUMP KIT
w/o HOUSING
OEM: 68V-W0078-00



Kits contain these items also available individually

No. 22504

BOLT, w/ WASHER (4)
OEM: 90119-08M14



No. 12870

PUMP CUP
OEM: 61A-44322-02



No. 12808

PIN, DOWELL (2)
OEM: 93606-12019



No. 89930

IMPELLER
OEM: 6E5-44352-01-00



No. 84300

O-RING
OEM: 93210-37M67



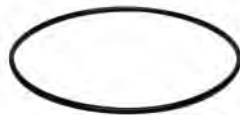
No. 89588

KEY, WOODRUFF
OEM: 90280-04002-00,
90280-04M05



No. 84295

O-RING
OEM: 93210-86M38



No. 12518

WEAR PLATE
OEM: 68V-44323-00



No. 12074

WATER PUMP HOUSING
OEM: 61A-44311-01-00



No. 38000

GASKET, WATER PUMP
OEM: 6E5-44315-A0



Fits Models:

F-115HP (2002-05), LF-115HP (2002-05)

Yamaha / Suzuki / Honda / Tohatsu / Nissan

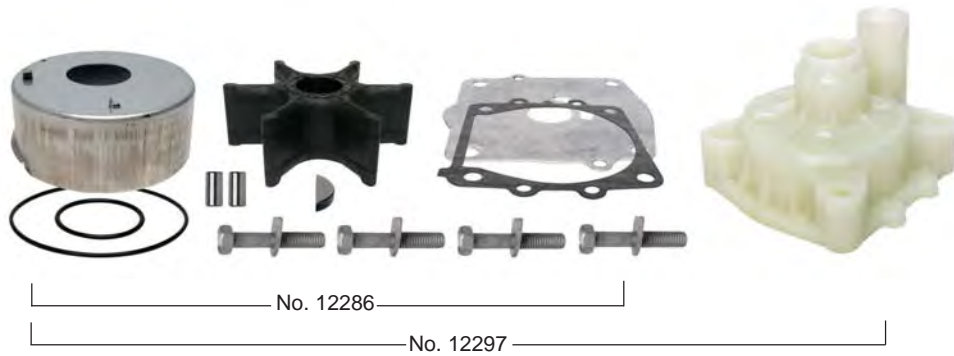
YAMAHA WATER PUMP KITS - 115-130 HP

No. 12297

COMPLETE WATER PUMP KIT
OEM: 6N6-W0078-02
+ 61A-44311-00-00

No. 12286

WATER PUMP KIT
w/o HOUSING
OEM: 6N6-W0078-02



Kits contain these items also available individually

No. 22504

BOLT, w/ WASHER (4)
OEM: 90119-08M14



No. 12870

PUMP CUP
OEM: 61A-44322-02



No. 12808

PIN, DOWELL (2)
OEM: 93606-12019



No. 89930

IMPELLER
OEM: 6E5-44352-01-00



No. 84300

O-RING
OEM: 93210-37M67



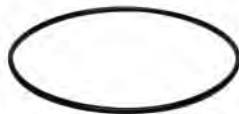
No. 89588

KEY, WOODRUFF
OEM: 90280-04002-00,
90280-04M05



No. 84295

O-RING
OEM: 93210-86M38



No. 12522

WEAR PLATE
OEM: 6E5-44323-00



No. 12074

WATER PUMP HOUSING
OEM: 61A-44311-01-00



No. 38000

GASKET, WATER PUMP
OEM: 6E5-44315-A0



Fits Models:

C-115HP (1997-00), F-115HP (2000-01), L-130HP (1997-01), LF-115HP (2000-01), S-115HP (1997-99),
S-130HP (1997-99), 115HP (1997-05), 130HP (1997-04)

Yamaha / Suzuki / Honda / Tohatsu / Nissan

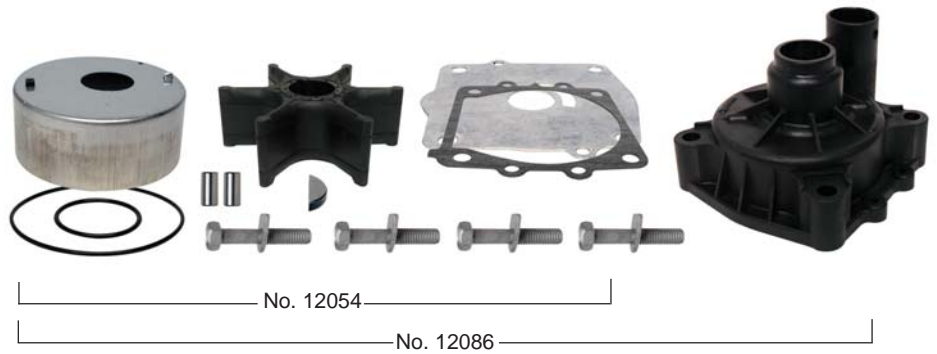
YAMAHA WATER PUMP KITS - 115-130 HP

No. 12086

COMPLETE WATER PUMP KIT
OEM: 6E5-W0078-01
+ 6E5-44311-00-00

No. 12054

WATER PUMP KIT
w/o HOUSING
OEM: 6E5-W0078-01



Kits contain these items also available individually

No. 22504

BOLT w/ WASHER (4)
OEM: 90119-08M14-00



No. 12871

PUMP CUP
OEM: 6E5-44322-00



No. 12808

PIN, DOWELL (2)
OEM: 93606-12019



No. 89930

IMPELLER
OEM: 6E5-44352-01-00



No. 84300

O-RING
OEM: 93210-37M67



No. 89588

KEY, WOODRUFF
OEM: 90280-04002-00,
90280-04M05



No. 84295

O-RING
OEM: 93210-86M38



No. 12522

WEAR PLATE
OEM: 6E5-44323-00



No. 12077

WATER PUMP HOUSING
OEM: 6E5-44311-00-00



No. 38000

GASKET, WATER PUMP
OEM: 6E5-44315-A0



Fits Models:

C-115HP (1991-92), L-130HP (1989-92), 115HP (1984-92), 130HP (1988-92)

Yamaha / Suzuki / Honda / Tohatsu / Nissan

YAMAHA WATER PUMP KITS - 115 HP & 150 HP

No. 12298

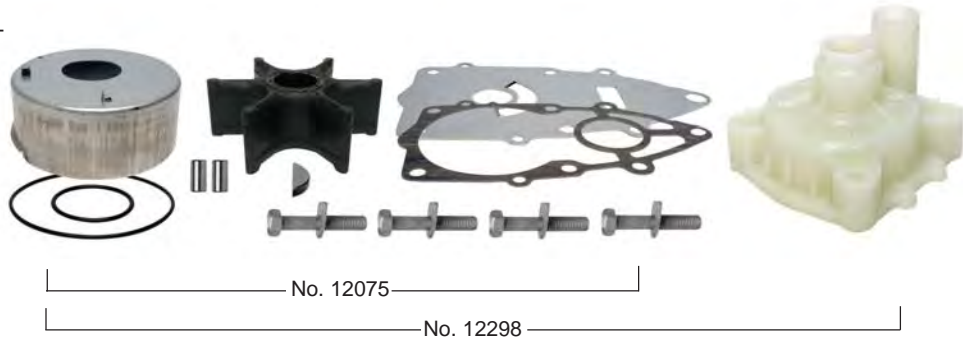
COMPLETE WATER PUMP KIT

OEM: 65N-W0078-A1
+ 61A-44311-00-00

No. 12075

WATER PUMP KIT

w/o HOUSING
OEM: 65N-W0078-A1



Kits contain these items also available individually

No. 22504

BOLT, w/ WASHER (4)
OEM: 90119-08M14



No. 12870

PUMP CUP
OEM: 61A-44322-02



No. 12808

PIN, DOWELL (2)
OEM: 93606-12019



No. 89930

IMPELLER
OEM: 6E5-44352-01-00



No. 84300

O-RING
OEM: 93210-37M67



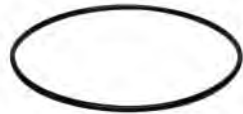
No. 89588

KEY, WOODRUFF
OEM: 90280-04002-00,
90280-04M05



No. 84295

O-RING
OEM: 93210-86M38



No. 12521

WEAR PLATE
OEM: 65N-44323-00



No. 12074

WATER PUMP HOUSING
OEM: 61A-44311-01-00



No. 38007

GASKET, WATER PUMP
OEM: 65N-44315-A0



Fits Models:

B-115HP (1998-99), D-150HP (1997-99), DX-150HP (1999-05)

Yamaha / Suzuki / Honda / Tohatsu / Nissan

YAMAHA WATER PUMP KITS - 150-300 HP - 2-STROKE

No. 12261

COMPLETE WATER PUMP KIT

OEM: 60X-W0078-00
+ 61A-44311-01-00

No. 12068

WATER PUMP KIT

w/o HOUSING
OEM: 60X-W0078-00



Kits contain these items also available individually

No. 22504

BOLT, w/ WASHER (4)
OEM: 90119-08M14



No. 12870

PUMP CUP
OEM: 61A-44322-02



No. 12808

PIN, DOWELL (2)
OEM: 93606-12019



No. 89930

IMPELLER
OEM: 6E5-44352-01-00



No. 84300

O-RING
OEM: 93210-37M67



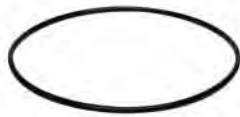
No. 89588

KEY, WOODRUFF
OEM: 90280-04002-00,
90280-04M05



No. 84295

O-RING
OEM: 93210-86M38



No. 12519

WEAR PLATE
OEM: 60X-44323-00



No. 12074

WATER PUMP HOUSING
OEM: 61A-44311-01-00



No. 38006

GASKET, WATER PUMP
OEM: 60X-44315-A0



Fits Models:

VZ-200HP (2005-09), VZ-225HP (2003-09), VZ-250HP (2003-09), VZ-300HP (2004-09)
2-Stroke

Yamaha / Suzuki / Honda / Tohatsu / Nissan

YAMAHA WATER PUMP KITS - 150-300 HP

No. 12263

COMPLETE WATER PUMP KIT
OEM: 6P2-W0078-00
+ 61A-44311-01-00

No. 12258

WATER PUMP KIT
w/o HOUSING
OEM: 6P2-W0078-00



Kits contain these items also available individually

No. 22504

BOLT, w/ WASHER (4)
OEM: 90119-08M14



No. 12870

PUMP CUP
OEM: 61A-44322-02



No. 12808

PIN, DOWELL (2)
OEM: 93606-12019



No. 89930

IMPELLER
OEM: 6E5-44352-01-00



No. 84300

O-RING
OEM: 93210-37M67



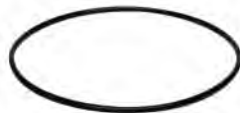
No. 89588

KEY, WOODRUFF
OEM: 90280-04002-00,
90280-04M05



No. 84295

O-RING
OEM: 93210-86M38



No. 12529

WEAR PLATE
OEM: 6P2-44323-00



No. 12074

WATER PUMP HOUSING
OEM: 61A-44311-01-00



No. 38006

GASKET, WATER PUMP
OEM: 60X-44315-A0



Fits Models:

VZ-200HP (2005-09), VZ-225HP (2003-09), VZ-250HP (2003-09), VZ-300HP (2004-09)

Yamaha / Suzuki / Honda / Tohatsu / Nissan

YAMAHA WATER PUMP KITS - 150-300 HP

No. 12262

COMPLETE WATER PUMP KIT

OEM: 61A-W0078-A3
+ 61A-44311-01-00

No. 12069

WATER PUMP KIT

w/o HOUSING
OEM: 61A-W0078-A3



No. 12069

No. 12262

Kits contain these items also available individually

No. 22504

BOLT, w/ WASHER (4)
OEM: 90119-08M14



No. 12870

PUMP CUP
OEM: 61A-44322-02



No. 12808

PIN, DOWELL (2)
OEM: 93606-12019



No. 89930

IMPELLER
OEM: 6E5-44352-01-00



No. 84300

O-RING
OEM: 93210-37M67



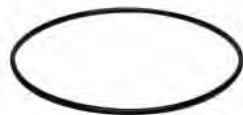
No. 89588

KEY, WOODRUFF
OEM: 90280-04002-00,
90280-04M05



No. 84295

O-RING
OEM: 93210-86M38



No. 12511

WEAR PLATE
OEM: 6G5-44323-00



No. 12074

WATER PUMP HOUSING
OEM: 61A-44311-01-00



No. 38000

GASKET, WATER PUMP
OEM: 6E5-44315-A0



Fits Models: C-150HP (1996, 1998-99), F-150HP (2004-05), F-200HP (2002-05), F-225HP (2002-04), L-150HP (1992-99), L-200HP (1986-99), L-225HP (1994-99), L-250HP (1990-99), LF-150HP (2004-05), LF-200HP (2002-05), LF-225HP (2002-05), LF-250HP (2005), LX-150HP (1999-01), LX-200HP (1999-01), LX-225HP (2000-03), LX-250HP (2000-03), LZ-150HP (2000-05), LZ-200HP (2000-05), LZ-250HP (2003-05), LZ-300HP (2004-05), P-150HP (1992-99), P-175HP (1994-99), P-200HP (1991-99), PW-150HP (1998), PX-150HP (1999), S-150HP (1996-99), S-175HP (1996-99), S-200HP (1996-99), S-225HP (1996-99), S-250HP (1996-99), S-75HP (1996), SX-150HP (1999-04), SX-200HP (1999-05), SX-225HP (2000-03), SX-250HP (2000-03), V-150HP (2000-05), V-175HP (2000), V-200HP (1998-99), V-225HP (1998-99), VX-150HP (2000-04), VX-200HP (2000-05), VX-225HP (2000-04), VX-250HP (2002-04), VZ-150HP (2000-05), VZ-175HP (2001-05), VZ-200HP (2001-04), Z-150HP (2000-05), Z-175HP (2001-05), Z-200HP (2000-05), Z-250HP (2003-05), Z-300HP (2004-05), 150 HP (1992-05), 175HP (1985-95, 1997), 200HP (1984-98), 225HP (1992-97), 250HP (1990-92, 1994-95)

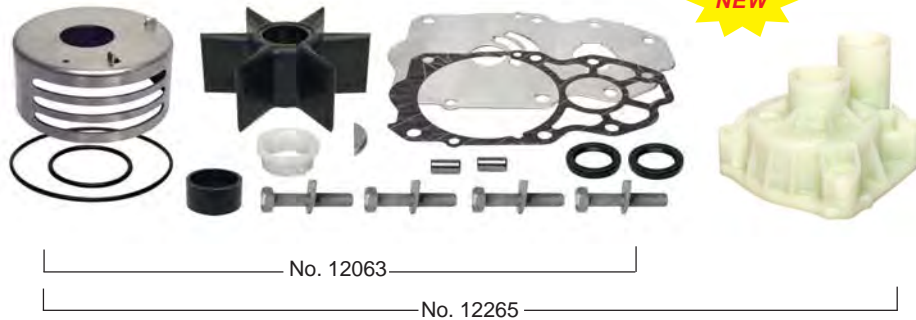
YAMAHA WATER PUMP KITS - 300 HP V6

No. 12265

COMPLETE WATER PUMP KIT
OEM: N/A

No. 12063

WATER PUMP KIT
w/o HOUSING
OEM: 6CE-W0078-00



Kits contain these items also available individually

No. 12863

COVER, WATER PUMP HOUSING
OEM: 6AW-44312-00-00



No. 12406

WATER PUMP HOUSING
OEM: 6CE-44311-01-00



No. 85234

OIL SEAL (2)
OEM: 93104-22M07-00



No. 12879

PUMP CUP
OEM: 6AW-44322-00



No. 12867

DAMPER
OEM: 6AW-44365-00-00



No. 89300

IMPELLER
OEM: 6CE-44352-00-00



No. 22504

BOLT, w/ WASHER (4)
OEM: 90119-08M14



No. 89588

KEY, WOODRUFF
OEM: 90280-04002-00,
90280-04M05



No. 12808

PIN, DOWELL (2)
OEM: 93606-12019



No. 12531

WEAR PLATE
OEM: 6CE-44323-00



No. 84300

O-RING
OEM: 93210-37M67



No. 38060

GASKET, WATER PUMP
OEM: 6CE-44315-00-00



No. 45330

O-RING
OEM: 93210-94003



Fits Models: F/LF 300A V6 4.2L

Yamaha / Suzuki / Honda / Tohatsu / Nissan

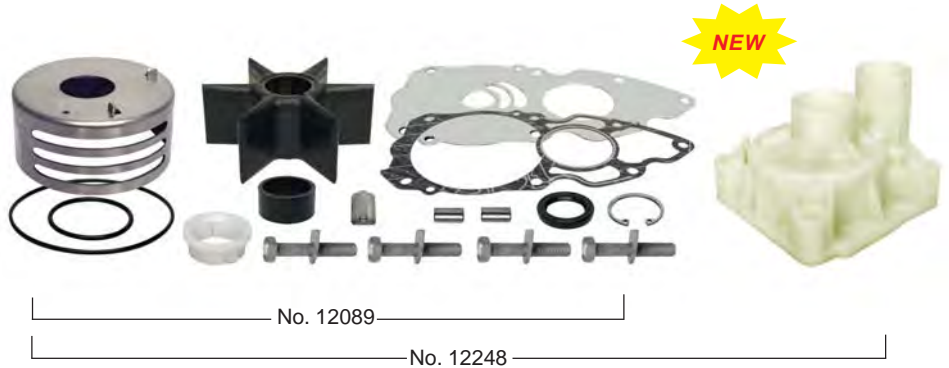
YAMAHA WATER PUMP KITS - 300-350 HP V8 4-Stroke

No. 12248

COMPLETE WATER PUMP KIT
OEM: N/A

No. 12089

WATER PUMP KIT
w/o HOUSING
OEM: 6AW-W0078-00



Kits contain these items also available individually

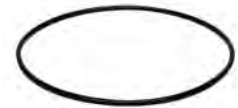
No. 12863

COVER, WATER PUMP HOUSING
OEM: 6AW-44312-00-00



No. 45330

O-RING
OEM: 93210-94003



No. 12867

DAMPER
OEM: 6AW-44365-00-00



No. 12402

WATER PUMP HOUSING
OEM: 6AW-44311-01



No. 21779

CLIP
OEM: 93420-35085-00



No. 12879

PUMP CUP
OEM: 6AW-44322-00



No. 85233

OIL SEAL
OEM: 93109-24001-00



No. 89960

IMPELLER
OEM: 6AW-44352-00



No. 22504

BOLT, w/ WASHER (4)
OEM: 90119-08M14



No. 89586

KEY
OEM: 6AW-44336-00



No. 12808

PIN, DOWELL (2)
OEM: 93606-12019



No. 12528

WEAR PLATE
OEM: 6AW-44323-00



No. 84300

O-RING
OEM: 93210-37M67



No. 38050

GASKET, WATER PUMP
OEM: 6AW-44315-00



Fits Models: F/LF 300/350 V8 5.3L (2007 & Up)

Yamaha / Suzuki / Honda / Tohatsu / Nissan

YAMAHA WATER PUMP KITS APPLICATIONS

Model / HP	Year	Current Pump Kit	Pump Housing	Impeller	Pump Cup	Wear Plate
9.9	84-95	12278	N/A	89880	12876	12515
9.9	96-05	12066 / 12087	12445	89619	12809	12517
F-9.9	86-95	12278	N/A	89880	12876	12515
F-9.9	97-03	12281	N/A	89880	12876	12515
F-9.9	04	N/A	N/A	89880	12876	12515
F-9.9	05	12066 / 12087	12445	89619	12809	12517
FT-9.9	85-90	12278	N/A	89880	12876	12515
T-9.9	91-96	12278	N/A	89880	12876	12515
T-9.9	97,99,01-03	12281	N/A	89880	12876	12515
T-9.9	04	N/A	N/A	89880	12876	12515
T-9.9	05	12066 / 12087	12445	89619	12809	12517
15	84-95	12278	N/A	89880	12876	12515
15	96-04	12066 / 12087	12445	89619	12809	12517
F-15	98-05	12066 / 12087	12445	89619	12809	12517
20	96-97	12277	N/A	89622	12866	12508
25	84-85	12058	12076	89890	12878	12525
25	86-87	12059	12076	89890	12878	12527
25	88-95	12277	N/A	89622	12866	12508
25	96-98,00,03-04	12277	N/A	89622	12866	12508
25	99,01-02	12285	12476	89900	12864	12526
C-25	91-97	12059	12076	89890	12878	12527
CV-25	90	12059	12076	89890	12878	12527
F-25	98-05	N/A	N/A	89900	N/A	N/A
T-25	01-05	N/A	N/A	89900	12873	N/A
30	84-85	12058	12076	89890	12878	12525
30	86	12059	12076	89890	12878	12527
30	87,89-93	12284	12076	89900	12864	12526
30	96	12284	12076	89900	12864	12526
30	97-99,01-02	12285	12076	89900	12864	12526
C-30	91-92	12059	12076	89890	12878	12527
C-30	93-97	N/A	N/A	89900	N/A	12509
CV-30	89-90	12059	12076	89890	12878	12527
F-30	01-05	N/A	N/A	89900	12873	N/A
40	84-94	12064 / 12287	12446	89910	12864	12526
40	95-05	12276 / 12289	12079	89910	12873	12524
C-40	91-93,95-97	N/A	N/A	89660	N/A	N/A
C-40	98-02	12276 / 12289	12079	89910	12873	12524
CV-40	90	N/A	N/A	89660	N/A	N/A
F-40	99	12276 / 12289	12079	89910	12873	12524
F-40	00-05	N/A	N/A	89900	12873	N/A
P-40	98	12276 / 12289	12079	89910	12873	12524
E-48	95,97-00	N/A	N/A	89910	N/A	N/A
50	86-94	12064 / 12287	12446	89910	12864	12526
50	95-96	12276 / 12289	12079	89910	12873	12524
50	98-05	12276 / 12289	12079	89910	12873	12524
C-50	98-01	12276 / 12289	12079	89910	12873	12524
F-50	96-05	12276 / 12289	12079	89910	12873	12524
P-50	91-94	12064 / 12287	12446	89910	12864	12526
P-50	95-96	12276 / 12289	12079	89910	12873	12524
T-50	96	N/A	12447	89910	12864	12514
T-50	97-01,03,05	12283 / 12291	12447	89910	12864	12514
T-50	02-04	12276 / 12289	12079	89910	12873	12524
C-55	91	N/A	N/A	89910	12864	12526
C-55	92-95	12279 / 12288	12446	89910	12864	12526
CV-55	89	N/A	12446	89910	12864	12526
60	01-02	N/A	12447	89910	12864	12514
60	03	12283 / 12291	12447	89910	12864	12514
60	04-05	12282 / 12293	12078	89920	N/A	12513
C-60	96	12057 / 12292	12447	89910	12864	12514
C-60	97-01	12283 / 12291	12447	89910	12864	12514
E-60	95-96	12057 / 12292	12447	89910	12864	12514
E-60	97-00	N/A	12447	89910	N/A	N/A
F-60	02-05	12276 / 12289	12079	89910	12873	12524
P-60	91	N/A	12447	89910	12864	12514
P-60	92-96	12057 / 12292	12447	89910	12864	12514
P-60	97-99	12283 / 12291	12447	89910	12864	12514
T-60	03-05	12283 / 12291	12447	89910	12864	12514
70	84-91	N/A	12447	89910	12864	12514
70	92-96	12057 / 12292	12447	89910	12864	12514
70	97-03	12283 / 12291	12447	89910	12864	12514
70	04-05	12282 / 12293	12078	89920	N/A	12513
C-70	00-01	12283 / 12291	12447	89910	12864	12514
C-75	94-96	12053 / 12294	12078	89920	N/A	12513
C-75	98-99	12282 / 12293	12078	89920	N/A	12513



Yamaha / Suzuki / Honda / Tohatsu / Nissan

YAMAHA WATER PUMP KITS APPLICATIONS

Model / HP	Year	Current Pump Kit	Pump Housing	Impeller	Pump Cup	Wear Plate
E-75	95-96	12053 / 12294	12078	89920	N/A	12513
E-75	97-99	N/A	12078	89920	N/A	N/A
E-75	00	12282 / 12293	12078	89920	N/A	12513
F-75	03-05	12275 / 12295	12443	89624	12872	12523
P-75	96	12053 / 12294	12074	89920	N/A	12513
P-75	97-99	12282 / 12293	12078	89920	N/A	12513
S-75	96	12069	12462	89930	12870	12511
C-80	97	12282 / 12293	12078	89920	N/A	12513
F-80	99-03	12275 / 12295	12443	89624	12872	12523
FT-80	02-03	12275 / 12295	12443	89624	12872	12523
C-85	91-96	12053 / 12294	12078	89920	N/A	12513
CV-85	89-90	12053 / 12294	12078	89920	N/A	12513
90	84-96	12053 / 12294	12078	89920	N/A	12513
90	97-05	12282 / 12293	12078	89920	N/A	12513
B-90	98-99	12282 / 12293	12078	89920	N/A	12513
C-90	97-01	12282 / 12293	12078	89920	N/A	12513
F-90	03-05	12275 / 12295	12443	89624	12872	12523
F-100	00-02	12275 / 12295	12443	89624	12872	12523
V4						
115	84-92	12054 / 12086	12077	89930	12871	12522
115	93-96	12264 / 12299	12074	89930	12870	12522
115	97-05	12286 / 12297	12074	89930	12870	12522
B-115	98-99	12075 / 12298	12074	89930	12870	12521
C-115	91-92	12054 / 12086	12077	89930	12871	12522
C-115	93-96	12264 / 12299	12074	89930	12870	12522
C-115	97-00	12286 / 12297	12074	89930	12870	12522
P-115	93-96	12264 / 12299	12074	89930	12870	12522
S-115	96	12264 / 12299	12074	89930	12870	12522
S-115	97-99	12286 / 12297	12074	89930	12870	12522
F-115	00-01	12286 / 12297	12074	89930	12870	12522
F-115	02-05	12067 / 12296	12074	89930	12870	12518
LF-115	00-01	12286 / 12297	12074	89930	12870	12522
LF-115	02-05	12067 / 12296	12074	89930	12870	12518
130	88-92	12054 / 12086	12077	89930	12871	12522
130	93-96	12264 / 12299	12074	89930	12870	12522
130	97-04	12286 / 12297	12074	89930	12870	12522
C-130	96	12264 / 12299	12074	89930	12870	12522
L-130	89-92	12054 / 12086	12077	89930	12871	12522
L-130	93-96	12264 / 12299	12074	89930	12870	12522
L-130	97-01	12286 / 12297	12074	89930	12870	12522
S-130	96	12264 / 12299	12074	89930	12870	12522
S-130	97-99	12286 / 12297	12074	89930	12870	12522
V6						
150	88	N/A	12077	89930	12871	12511
150	85-91	N/A	12077	89930	12871	12511
150	92-96	12069	12074	89930	12870	12511
150	97-05	12069	12074	89930	12870	12511
C-150	96	12069	12074	89930	12870	12511
C-150	98-99	12069	12074	89930	12870	12511
D-150	97-99	12075 / 12298	12074	89930	12870	12521
F-150	04-05	12069	12074	89930	12870	12511
LF-150	04-05	12069	12074	89930	12870	12511
L-150	86-91	N/A	12077	89930	12871	12511
L-150	92-99	12069	12074	89930	12870	12511
P-150	91	N/A	12077	89930	12871	12511
P-150	92-99	12069	12074	89930	12870	12511
S-150	96-99	12069	12074	89930	12870	12511
V-150	00-05	12069	12074	89930	12870	12511
PW-150	98	12069	12074	89930	12870	12511
DX-150	99-05	12075 / 12298	12074	89930	12870	12521
LX-150	99-01	12069	12074	89930	12870	12511
PX-150	99	12069	12074	89930	12870	12511
SX-150	99-04	12069	12074	89930	12870	12511
VX-150	00-04	12069	12074	89930	12870	12511
Z-150	00-05	12069	12074	89930	12870	12511
LZ-150	00-05	12069	12074	89930	12870	12511
VZ-150	00-05	12069	12074	89930	12870	12511
175	85-95	12069	12074	89930	12870	12511
175	97	12069	12074	89930	12870	12511
P-175	94-99	12069	12074	89930	12870	12511
S-175	96-99	12069	12074	89930	12870	12511
V-175	00	12069	12074	89930	12870	12511

Yamaha / Suzuki / Honda / Tohatsu / Nissan

YAMAHA WATER PUMP KITS APPLICATIONS

Model / HP	Year	Current Pump Kit	Pump Housing	Impeller	Pump Cup	Wear Plate
V6						
Z-175	01-05	12069	12074	89930	12870	12511
VZ-175	01-05	12069	12074	89930	12870	12511
200	84-98	12069	12074	89930	12870	12511
F-200	02-05	12069	12074	89930	12870	12511
LF-200	02-05	12069	12074	89930	12870	12511
L-200	86-99	12069	12074	89930	12870	12511
P-200	91-99	12069	12074	89930	12870	12511
S-200	96-99	12069	12074	89930	12870	12511
V-200	98-99	12069	12074	89930	12870	12511
LX-200	99-01	12069	12074	89930	12870	12511
SX-200	99-05	12069	12074	89930	12870	12511
VX-200	00-05	12069	12074	89930	12870	12511
LZ-200	00-05	12069	12074	89930	12870	12511
Z-200	00-05	12069	12074	89930	12870	12511
VZ-200	01-04	12069	12074	89930	12870	12511
VZ-200	05	12068	12074	89930	12870	12519
225	90-91	N/A	12074	89930	12871	12511
225	92-97	12069	12074	89930	12870	12511
F-225	02-04	12069	12074	89930	12870	12511
LF-225	02-05	12069	12074	89930	12870	12511
L-225	94-99	12069	12074	89930	12870	12511
S-225	96-99	12069	12074	89930	12870	12511
V-225	98-99	12069	12074	89930	12870	12511
LX-225	00-03	12069	12074	89930	12870	12511
SX-225	00-03	12069	12074	89930	12870	12511
VX-225	00-04	12069	12074	89930	12870	12511
VZ-225	03-05	12068	12074	89930	12870	12519
250	90-92,94-95	12069	12074	89930	12870	12511
LF-250	05	12069	12074	89930	12870	12511
L-250	90-99	12069	12074	89930	12870	12511
S-250	96-99	12069	12074	89930	12870	12511
LX-250	00-03	12069	12074	89930	12870	12511
SX-250	00-03	12069	12074	89930	12870	12511
VX-250	02-04	12069	12074	89930	12870	12511
Z-250	03-05	12069	12074	89930	12870	12511
LZ-250	03-05	12069	12074	89930	12870	12511
VZ-250	03-05	12068	12074	89930	12870	12519
Z-300	04-05	12069	12074	89930	12870	12511
LZ-300	04-05	12069	12074	89930	12870	12511
VZ-300	04-05	12068	12074	89930	12870	12519

Yamaha / Suzuki / Honda / Tohatsu / Nissan

YAMAHA THERMOSTAT KITS

140° F (60° C)

No. 13015

THERMOSTAT KIT 140° F (60° C)
OEM: N/A



Kit Contains:

GLM	OEM	ITEM
13012	6G8-12411-03-00	Thermostat
38045	688-12414-A1-00	Gasket
38051	6H3-12414-A1-00	Gasket
38052	68D-E2414-A0-00	Gasket

122° F (50° C)

No. 13321

THERMOSTAT KIT 122° F (50° C)
OEM: N/A



Kit Contains:

GLM	OEM	ITEM
13320	6E5-12411-30-00	Thermostat
38045	688-12414-A1-00	Gasket
38051	6H3-12414-A1-00	Gasket
38052	68D-E2414-A0-00	Gasket
38053	6J8-12414-A0-00	Gasket



Note: These are not exact Yamaha replacement kits. We have improved our Thermostat Kits by including all gaskets necessary for most models. These kits are designed specifically for Yamaha 60°C/140°F and 50°C/122°F. See Thermostat OEM numbers below for reference only.

YAMAHA THERMOSTATS

No. 13012

THERMOSTAT 140° F (60° C)
OEM: 6E5-12411-00/01/02
6F5-12411-01/02/03
69M-12411-00/01
6H3-12411-00/10/11



140° F
(60° C)

No. 13320

THERMOSTAT 122° F (50° C)
OEM: 6E5-12411-10/20/30
688-12411-00/01/10/11
6G8-12411-00/01/02/03
66M-12411-00/01



122° F
(50° C)

YAMAHA THERMOSTAT GASKETS

No. 38045

THERMOSTAT GASKET
OEM: 688-12414-A1-00



No. 38051

THERMOSTAT GASKET
OEM: 6H3-12414-A1-00



No. 38052

THERMOSTAT GASKET
OEM: 68D-E2414-A0-00



No. 38053

THERMOSTAT GASKET
OEM: 6J8-12414-A0-00



Yamaha / Suzuki / Honda / Tohatsu / Nissan

YAMAHA THERMOSTAT APPLICATIONS

Model /HP	Year	T-stat	OEM No.	T.stat Kit No.	OEM No.	Model /HP	Year	T-stat	OEM No.	T.stat Kit No.	OEM No.
F4	1999 & Up	13012	66M-12411-00-00	13015	N/A	C50	1998-01	13320	6E5-12411-30-00	13321	N/A
F8	2001-04	13012	66M-12411-00-00	13015	N/A	P50	1991-96	13320	6E5-12411-30-00	13321	N/A
F8	2005 & Up	13012	66M-12411-00-00	13015	N/A	C55	1991-95	13012	6F5-12411-03-00	13015	N/A
T8	2001-04	13012	66M-12411-00-00	13015	N/A	CV55	1989	13012	6F5-12411-03-00	13015	N/A
T8	2005 & Up	13012	66M-12411-00-00	13015	N/A	S75	1996	13320	6E5-12411-30-00	13321	N/A
8.2stroke	1989 & Up	13320	6E5-12411-02-00	13321	N/A	9.9	1996-05	13012	6F5-12411-03-00	13015	N/A
6.2stroke	1986-88	13320	6E5-12411-20-00	13321	N/A	F9.9	1986-04	13320	6E5-12411-30-00	13321	N/A
6.2Stroke	1989 & Up	13320	6E5-12411-01-00	13321	N/A	V4					
F6	2001-04	13012	66M-12411-00-00	13015	N/A	115	1984-05	13320	6E5-12411-30-00	13321	N/A
F6	2005 & Up	13012	66M-12411-01-00	13015	N/A	B115	1998-99	13320	6E5-12411-30-00	13321	N/A
9.9 2Stroke	1984-95	13012	6F5-12411-02-00	13015	N/A	C115	1991-00	13320	6E5-12411-30-00	13321	N/A
9.9 2Stroke	1996 & Up	13320	6E5-12411-30-00	13321	N/A	L115	1998	13320	6E5-12411-30-00	13321	N/A
FT 9.9	1985 & Up	13012	6G8-12411-03-00	13015	N/A	P115	1993-96	13320	6E5-12411-30-00	13321	N/A
T/FT 9.9	1985 & Up	13012	6G8-12411-03-00	13015	N/A	S115	1996-99	13320	6E5-12411-30-00	13321	N/A
F9.9	1985 & Up	13012	6G8-12411-03-00	13015	N/A	130	1988-04	13320	6E5-12411-30-00	13321	N/A
T9.9(66R)	2005 & Up	13012	66M-12411-01-00	13015	N/A	L130	1989-01	13320	6E5-12411-30-00	13321	N/A
F9.9(66N)	2005 & Up	13012	66M-12411-01-00	13015	N/A	S130	1996-99	13320	6E5-12411-30-00	13321	N/A
F9.9G(6AV)	2007 & Up	13012	66M-12411-01-00	13015	N/A	V6					
F9.9F(6A0)	2007 & Up	13012	66M-12411-01-00	13015	N/A	C150	1996-99	13320	6E5-12411-30-00	13321	N/A
15 2Stroke	1984-95	13012	6F5-12411-02-00	13015	N/A	D150	1999-05	13320	6E5-12411-30-00	13321	N/A
15 2Stroke	1996 & Up	13320	6E5-12411-30-00	13221	N/A	DX150	1999-05	13320	6E5-12411-30-00	13321	N/A
15 4Stroke	1998 & Up	13012	66M-12411-01-00	13015	N/A	L150	1986-99	13320	6E5-12411-30-00	13321	N/A
15	1986-95	13012	6F5-12411-03-00	13015	N/A	LX150	1999-01	13320	6E5-12411-30-00	13321	N/A
15	1996-04	13320	6E5-12411-30-00	13321	N/A	LZ150	2000-05	13320	6E5-12411-30-00	13321	N/A
20 2Stroke	1996-97	13320	6E5-12411-20-00	13321	N/A	P150	1991-99	13320	6E5-12411-30-00	13321	N/A
F20	All	13320	6AH-12411-00-00	13321	N/A	PW150	1998	13320	6E5-12411-30-00	13321	N/A
25	1988	13320	6E5-12411-30-00	13321	N/A	PX150	1999	13320	6E5-12411-30-00	13321	N/A
25 2-Cyl.	1988-89	13320	6E5-12411-20-00	13321	N/A	S150	1996-99	13320	6E5-12411-30-00	13321	N/A
25-2 Stroke	1990-95	13320	6E5-12411-01-00	13321	N/A	SX150	1999-04	13320	6E5-12411-30-00	13321	N/A
25-2 Stroke	1996-99	13320	6E5-12411-20-00	13321	N/A	V150	2000-05	13320	6E5-12411-30-00	13321	N/A
25-2 Stroke	2000-02	13320	6E5-12411-20-00	13321	N/A	VX150	2000-04	13320	6E5-12411-30-00	13321	N/A
25-2 Stroke	2003 & Up	13320	6E5-12411-30-00	13321	N/A	VZ150	2000-05	13320	6E5-12411-30-00	13321	N/A
25	1996	13320	6E5-12411-30-00	13321	N/A	Z150	2000-05	13320	6E5-12411-30-00	13321	N/A
25 3-Cyl.	1997-02	13320	688-12411-10-00	13321	N/A	175	1986-00	13320	6E5-12411-30-00	13321	N/A
25	2003-05	13320	6E5-12411-30-00	13321	N/A	P175	1994-99	13320	6E5-12411-30-00	13321	N/A
C25	1990-97	13312	6F5-12411-02-00	13015	N/A	S175	1996-99	13320	6E5-12411-30-00	13321	N/A
C25	1991-97	13312	6F5-12411-03-00	13015	N/A	V175	2000	13320	6E5-12411-30-00	13321	N/A
CV25	1990	13312	6F5-12411-03-00	13015	N/A	VZ175	2001-05	13320	6E5-12411-30-00	13321	N/A
F25	1998	13312	6G8-12411-02-00	13015	N/A	Z175	2001-05	13320	6E5-12411-30-00	13321	N/A
F25	1999-04	13312	6G8-12411-02-00	13015	N/A	200	1986-98	13320	6E5-12411-30-00	13321	N/A
F25	2005 & Up	13312	6G8-12411-03-00	13015	N/A	L200	1986-99	13320	6E5-12411-30-00	13321	N/A
T25	2001-04	13312	6G8-12411-02-00	13015	N/A	LX200	1999-01	13320	6E5-12411-30-00	13321	N/A
T25	2005 & Up	13312	6G8-12411-03-00	13015	N/A	LZ200	2000-05	13320	6E5-12411-30-00	13321	N/A
30	1986	13012	6F5-12411-03-00	13015	N/A	P200	1991-99	13320	6E5-12411-30-00	13321	N/A
30	1987	13320	6E5-12411-30-00	13321	N/A	S200	1996-99	13320	6E5-12411-30-00	13321	N/A
30 2-Cyl.	1984-86	13320	6F5-12411-02-00	13321	N/A	SX200	1999-05	13320	6E5-12411-30-00	13321	N/A
30-3-Cyl.	1987-88	13320	6E5-12411-20-00	13321	N/A	V200	1998-99	13320	6E5-12411-30-00	13321	N/A
30-3-Cyl.	1989-91	13320	6E5-12411-01-00	13321	N/A	VX200	2000-05	13320	6E5-12411-30-00	13321	N/A
30-3-Cyl.	1992-94	13320	688-12411-10-00	13321	N/A	VZ200	2001-04	13320	6E5-12411-30-00	13321	N/A
30-3-Cyl.	1995-98	13320	688-12411-10-00	13321	N/A	Z200	2000-05	13320	6E5-12411-30-00	13321	N/A
30-3-Cyl.	1999-02	13320	688-12411-10-00	13321	N/A	225	1990-97	13320	6E5-12411-30-00	13321	N/A
C30	1991-92	13012	6F5-12411-03-00	13015	N/A	L225	1995-99	13320	6E5-12411-30-00	13321	N/A
CV30	1989-90	13012	6F5-12411-03-00	13015	N/A	LX225	2000-03	13320	6E5-12411-30-00	13321	N/A
C/CV30	1989-92	13012	6F5-12411-02-00	13015	N/A	S225	1996-99	13320	6E5-12411-30-00	13321	N/A
CV-2cyl.	1993-97	13020	6E5-12411-01-00	13321	N/A	SX225	2000-03	13320	6E5-12411-30-00	13321	N/A
CV-3cyl.	1995	13020	688-12411-10-00	13321	N/A	V225	1998-99	13320	6E5-12411-30-00	13321	N/A
F30	2001-04	13012	6G8-12411-02-00	13015	N/A	VX225	2000-04	13320	6E5-12411-30-00	13321	N/A
F30	2005 & Up	13012	6G8-12411-03-00	13015	N/A	250	1990-95	13320	6E5-12411-30-00	13321	N/A
40	1986-05	13320	6E5-12411-30-00	13321	N/A	L250	1990-99	13320	6E5-12411-30-00	13321	N/A
C40	1991-97	13012	6F5-12411-03-00	13015	N/A	LX250	2000-03	13320	6E5-12411-30-00	13321	N/A
C40	1998-02	13320	6E5-12411-30-00	13321	N/A	S250	1996-99	13320	6E5-12411-30-00	13321	N/A
CV40	1990	13012	6F5-12411-03-00	13015	N/A	SX250	2000-03	13320	6E5-12411-30-00	13321	N/A
P40	1998	13320	6E5-12411-30-00	13321	N/A	VX250	2002-04	13320	6E5-12411-30-00	13321	N/A
50	1986-05	13320	6E5-12411-30-00	13321	N/A						

Section 4

Yamaha Suzuki / Honda / Tohatsu / Nissan Pistons

<i>GLM Exclusive Marine Pistons</i>	<i>88</i>
<i>Yamaha Inline 48, 55, 75, 80, 85, 90 HP Pistons.....</i>	<i>89</i>
<i>Yamaha 115, 130, 150, 175, 200, 225 HP V4 & V6 Pistons ...</i>	<i>90-91</i>
<i>Yamaha 200, 225, 250 HP V6 Pistons</i>	<i>92</i>

GLM'S EXCLUSIVE MARINE PISTONS

- Fully Machined Hypereutectic Pistons
- Featuring a Hard Anodizing Coating on Top
- Resisting Temperatures up to 1560°F
- Hardness: HV280-400
- Pistons are T-6 Heat Treated

OEM CAST vs. FORGED

(99% of OEM Pistons are Cast)

	CASTING	FORGING
Pros	Low expansion rate Lighter weight Longer life Lower costs	Greater Strength
Cons	Less strength but compensated by strong mold process	Heavier weight High expansion rate Shorter life Higher costs
Verdict	For Recreational For General use	High Performance Purposes

GLM PISTONS ARE 100% CAST

PISTON RING COATINGS COMPARISON

DID YOU KNOW sometimes as much as 30% of engine friction comes from the piston rings? Therefore, 2-ring pistons have less friction than 3-ring pistons.

To minimize piston ring friction in the engine you should:

- Choose the right ring tension and coating.
- If for oversize, check that the bore size is correct.
- Change the engine oil regularly.

RING COATING	SCUFF RESISTANCE	WEAR RESISTANCE
Plain	Poor	Low
Plasma Moly	Excellent	Good
Nitriding	Average	Excellent
Chrome	Average	Excellent

Warning: GLM will not cover the warranty for non-authorized marine engine boring services.

Yamaha / Suzuki / Honda / Tohatsu / Nissan

YAMAHA INLINE 48, 55, 75, 80, 85, 90 HP PISTONS

These engines use \varnothing 81 mm Pistons

48 HP	E	1995-00
55 HP	C	1993-95
75 HP	C, E	1994-95
75 HP	C, E, P	1996-00
80 HP	C	1997
85 HP	C	1993-96
90 HP	C, B	1994-05



Pistons for above engines

<u>GLM Piston No.</u>	<u>Size</u>	<u>OEM Piston No.</u>
24760	\varnothing 81 mm	6H1-11631-03-95
24761	\varnothing 81 mm +.25 mm	6H1-11635-03-00
24762	\varnothing 81 mm +.50 mm	6H1-11636-03-00

all pistons come with rings, pin and retainers

Rings for above \varnothing 81 mm pistons

<u>GLM Ring No.</u>	<u>Size</u>	<u>OEM Ring No.</u>
14300	\varnothing 81 mm	688-11603-A0-00
14301	\varnothing 81 mm +.25 mm	688-11604-A0-00
14302	\varnothing 81 mm +.50 mm	688-11605-A0-00

all rings come 2 to a set

Yamaha / Suzuki / Honda / Tohatsu / Nissan

YAMAHA 115, 130, 150, 175, 200, 225 HP V4 & V6 PISTONS

These engines use \varnothing 89 mm Pistons with 23 mm Wrist Pin.

115 HP	V4	1993 & Up
130 HP	V4	1993 & Up
150 HP	V6	1993 & Up
175 HP	V6	1993 & Up
200 HP	V6	1992 & Up
225 HP	V6	1992 & Up



Pistons for above engines

GLM Piston No.		Size	OEM Piston No.	
Port	Starboard		Port	Starboard
24700	24710	\varnothing 89 mm	(68F-11642-01-85 / 64D-11642-02-90 / 6R5-11642-11-93)	
24720	24730	\varnothing 89 mm +.25 mm	(6R5-11645-11-00/68F-11645-01-00)	
24740	24750	\varnothing 89 mm +.50 mm	(6R5-11646-11-00/68F-11646-01-00)	

all pistons come with rings, pin and retainers

Rings for above \varnothing 89 mm pistons

GLM Ring No.	Size	OEM Ring No.
14303	\varnothing 89 mm	64D-11603-02-00
14304	\varnothing 89 mm +.25 mm	64D-11604-02-00
14305	\varnothing 89 mm +.50 mm	64D-11605-02-00

all rings come 2 to a set, one keystone ring and one rectangle ring.

Yamaha / Suzuki / Honda / Tohatsu / Nissan

YAMAHA 115, 130, 150, 175, 200, 225 HP V4 & V6 PISTONS

These engines use \varnothing 89 mm Pistons with 21.5 mm Wrist Pin.

115 HP	V4	C	1984-1992
130 HP	V4	L	1988-1992
150 HP	V6	L, P	1985-1992
175 HP	V6		1985-1992
200 HP	V6	L	1984-1991
225 HP	V6		1990-1991



Pistons for above engines

<u>GLM Piston No.</u>		<u>Size</u>	<u>OEM Piston No.</u>	
Port	Starboard		Port	Starboard
24701	24702	\varnothing 89 mm	6R5-11642-01-93	6R5-11631-01-93
24720	24730	\varnothing 89 mm + .25 mm	6R5-11645-11-00	6R5-11635-11-00
24741	24752	\varnothing 89 mm + .50 mm	6R5-11646-01-00	6R5-11636-01-00

all pistons come with rings, pin and retainers

Rings for above \varnothing 89 mm pistons

<u>GLM Ring No.</u>	<u>Size</u>	<u>OEM Ring No.</u>
14303	\varnothing 89 mm	64D-11603-02-00
14304	\varnothing 89 mm + .25 mm	64D-11604-02-00
14305	\varnothing 89 mm + .50 mm	64D-11605-02-00

all rings come 2 to a set, one keystone ring and one rectangle ring.

Yamaha / Suzuki / Honda / Tohatsu / Nissan

YAMAHA 200, 225, 250 HP V6 PISTONS

These engines use \varnothing 89 mm Pistons

200 HP	V6	V, VX	1998-0	225 HP	V6	V	1998
200 HP	V6	VX	2002-05	225 HP	V6	V, VX	1999-01
225 HP	V6	L	1994	250 HP	V6	L	1995
225 HP	V6	L	1995	250 HP	V6	L, S, SX	1996-01
225 HP	V6	L, S, SX	1996-01	250 HP	V6	LX, SX, VX	2002-04
225 HP	V6	LX, SX, VX	2002-04				



Pistons for above engines

GLM Piston No.		Size	OEM Piston No.	
Port	Starboard		Port	Starboard
24703	24704	\varnothing 89 mm	69L-11642-00-85	69L-11631-00-85
24723	24734	\varnothing 89 mm + .25 mm	69L-11645-00-00	69L-11635-00-00
24743	24754	\varnothing 89 mm + .50 mm	69L-11646-00-00	69L-11636-00-00

all pistons come with rings, pin and retainers

Rings for above \varnothing 89 mm pistons

GLM Ring No.	Size	OEM Ring No.
14303	\varnothing 89 mm	64D-11603-02-00
14304	\varnothing 89 mm + .25 mm	64D-11604-02-00
14305	\varnothing 89 mm + .50 mm	64D-11605-02-00

all rings come 2 to a set, one keystone ring and one rectangle ring.

Section 5

Yamaha Suzuki / Honda / Tohatsu / Nissan Powerhead Gaskets

<i>Yamaha Head Gaskets</i>	<i>94</i>
<i>Suzuki Head Gaskets</i>	<i>95</i>
<i>Exhaust Manifold Gaskets</i>	<i>96</i>
<i>Powerhead Gaskets</i>	<i>97</i>

Yamaha / Suzuki / Honda / Tohatsu / Nissan

POWERHEAD GASKETS

Yamaha Head Gaskets

No. 34900

HEAD GASKET
OEM: 6A1-11181-00



Fits Models: 2 HP, 1-Cyl.

No. 34910

HEAD GASKET
OEM: 677-11181-A1-00



Fits Models: 8 HP, 2-Cyl.

No. 33890

HEAD GASKET
OEM: 6E7-11181-00



Fits Models: 9.9, 15 HP, 2-Cyl.

No. 33880

HEAD GASKET
OEM: 689-11181-02



Fits Models: 25 HP,
30 HP (1984-85), CV30 HP, 2-Cyl.

No. 34920

HEAD GASKET
OEM: 6J8-11181-A2-00



Fits Models: 30 HP (1987-90), 3-Cyl.

No. 34930

HEAD GASKET
OEM: 6H4-11181-A2-00



Fits Models: 40, 50, PRO 50 HP, 3-Cyl.

No. 34940

HEAD GASKET
OEM: 6H3-11181-A2-00



Fits Models: 70 HP, 3-Cyl.

No. 34950

HEAD GASKET
OEM: 688-11181-A2-00



Fits Models: 85, 90 HP, 3-Cyl.

No. 34960

HEAD GASKET
OEM: 6E5-11181-A2-00



Fits Models: 115, 130 HP, V4

Yamaha / Suzuki / Honda / Tohatsu / Nissan

POWERHEAD GASKETS

Suzuki Head Gaskets

No. 36250

HEAD GASKET
OEM: 11141-94720



Fits Models: 55, 65 HP (1985-89), 3-Cyl.

No. 36260

HEAD GASKET
OEM: 11141-95505



Fits Models: 75, 85 HP (1983-87), 3-Cyl.

No. 36270

HEAD GASKET
OEM: 11141-95600



Fits Models: 75, 85 HP (1988-89), 3-Cyl.

No. 36220

HEAD GASKET
OEM: 11141-87E90



Fits Models: 90, 100 HP (1989), V4

No. 36230

HEAD GASKET
OEM: 11141-94506



Fits Models: 115, 140 HP (1983-84), L4

No. 36240

HEAD GASKET
OEM: 11141-94600



Fits Models: 115, 140 HP (1986-89), L4

No. 36200

HEAD GASKET
OEM: 11141-87D90



Fits Models: 150, 200 HP (1986), V6

No. 36210

HEAD GASKET
OEM: 11141-87D92



Fits Models: 150, 175, 200 HP (1987-89), V6

POWERHEAD GASKETS

Gaskets - Exhaust Manifold

No. 38026

GASKET, EXHAUST MANIFOLD
OEM: 6G5-41134-A1



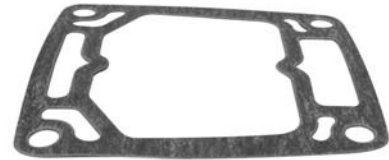
No. 38028

GASKET, EXHAUST MANIFOLD
OEM: 6E5-41135-A0



No. 38030

GASKET, EXHAUST MANIFOLD
OEM: 6E5-41134-A0



No. 38034

GASKET, EXHAUST MANIFOLD
OEM: 688-41134-A0



No. 38041

PACKING, LOWER CASING
OEM: 6L2-45315-A0



No. 38020

GASKET, EXHAUST MANIFOLD
OEM: 6BG-41134-00-00



No. 38019

GASKET, EXHAUST MANIFOLD
OEM: 67C-41133-00



No. 38017

GASKET, EXHAUST MANIFOLD
OEM: 6H3-41134-A0



No. 38042

GASKET, EXHAUST MANIFOLD
OEM: 664-41134-A0



Yamaha / Suzuki / Honda / Tohatsu / Nissan

POWERHEAD GASKETS

Gaskets - Powerhead

No. 38024

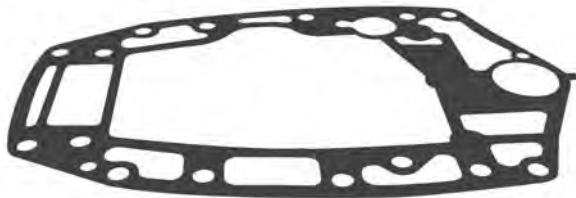
GASKET, OIL PAN
OEM: 69W-15312-00

**No. 38013**

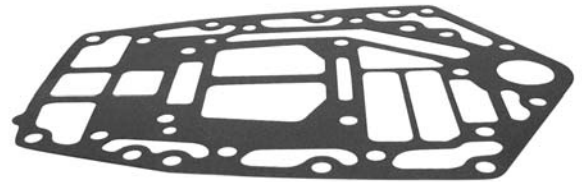
GASKET, UPPER CASING
OEM: 61A-45114-A0

**No. 38016**

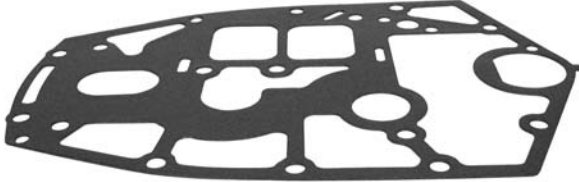
GASKET, UPPER CASING
OEM: 63D-45114-A0

**No. 38027**

GASKET, UPPER CASING
OEM: 6G5-45114-A1

**No. 38031**

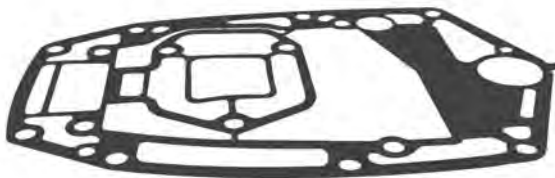
GASKET, UPPER CASING
OEM: 697-45114-A0

**No. 38033**

GASKET, UPPER CASING
OEM: 688-45114-A1

**No. 38037**

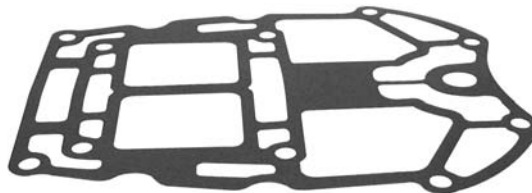
GASKET, UPPER CASING
OEM: 6H3-45114-A1

**No. 38039**

GASKET, UPPER CASING
OEM: 6J8-45114-A1

**No. 38012**

GASKET, EXHAUST MANIFOLD
OEM: 6D0-41134-00





Section 6

Yamaha Suzuki / Honda / Tohatsu / Nissan Fuel Filters

<i>GLM's Plastic Inline Fuel Filters</i>	<i>100</i>
<i>Low Pick-up Water / Fuel Separator Mounting Bracket.....</i>	<i>101</i>
<i>How to Choose the Correct Water / Fuel Separator</i>	<i>102</i>
<i>Stainless Steel Brackets / Die Cast Aluminum Brackets</i>	<i>102</i>
<i>Water Separating Fuel Filter Kits</i>	<i>103</i>

FUEL FILTERS

GLM's PLASTIC INLINE FUEL FILTERS



NEW PACKAGING!

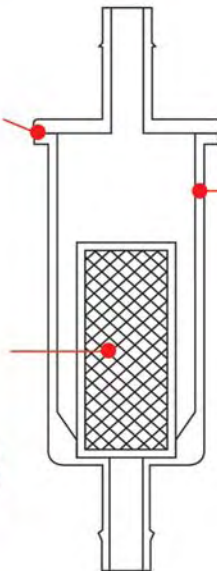
**Brisk Packaging
for Easy Opening**



High Frequency Weld

**SEFAR
Swiss Made Filter Element**

1.5 Sq. in. Filtration



**Filter Shell made of
100% Nylon by DuPont®**

Translucent material for determining
when filter is in need of a replacement

Properties:

- **Very Good**
Heat Resistance
- **Excellent**
Chemical Resistance
- **Excellent**
Wear Resistance



No. 40135

OEM: 435918
For \varnothing 5/16" In - \varnothing 3/8" Out

No. 40145

OEM: 35-816296Q03
Use with \varnothing 1/4" Hose

No. 40155

OEM: 35-816296Q2
Use with \varnothing 5/16" Hose

No. 40165

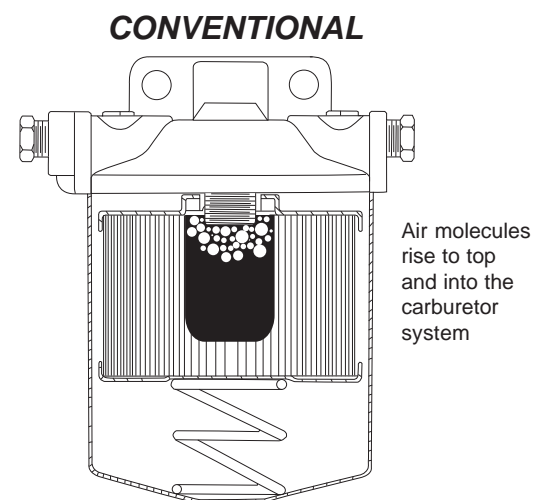
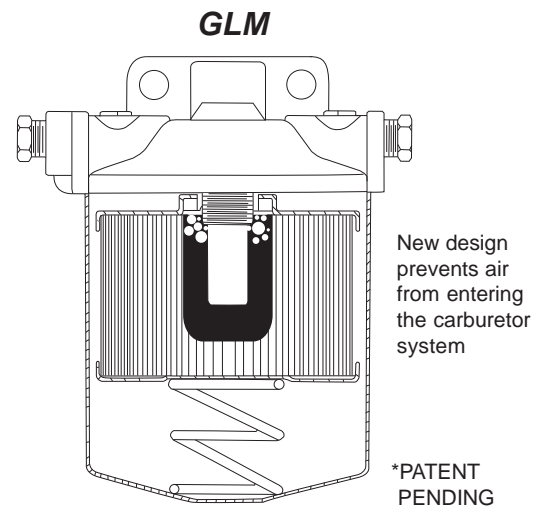
OEM: N/A
Use with \varnothing 3/8" Hose

ELIMINATE FUEL STARVATION WITH THE NEW GLM LOW PICK-UP WATER / FUEL SEPARATOR MOUNTING BRACKET

Engine compartment temperatures can soar on hot summer days creating high gasoline temperatures. High temps and agitation caused by rough seas can aerate the gasoline in the water/fuel separator filter turning it into foam. A fuel pump can't pull aerated gasoline from the water/fuel separator and pump it to the carburetor or fuel rail efficiently. The engine will show signs of gasoline starvation (lean) at high speeds, a situation very similar to vapor lock.

Because this aerated gasoline rises to the top of the water/fuel separator filter, GLM has introduced a water/fuel filter separator mounting bracket with a fuel pick-up extending deeper into the filter. Through extensive research and testing the GLM engineers have found the optimum location for the fuel pick-up. The deeper location is low enough to be free of aerated gasoline but high enough to be free of the water in the bottom of the separator.

The deeper fuel pick-up is only found on the new GLM water/fuel separator mounting bracket kits. It might solve some of those mysterious fuel delivery problems your engine may be experiencing!



***For trouble free boating always remember to replace your water/
fuel separator filter after every 50 hours of engine operation!**

HOW TO CHOOSE THE CORRECT WATER/FUEL SEPARATOR

Water/Fuel Separators are categorized by their capacity to filter different sized dirt particles. Rated in Microns, (each micron is one millionth of an inch in diameter) marine filters will normally be available with elements capable of filtering 2 micron particles, 10 micron particles, or 28 micron particles. A marine filter capable of filtering 2 micron particles will clean the fuel more efficiently than a 28 micron filter but will be more restrictive to fuel flow. The 2 micron filter will also become dirty sooner and will need replacement more often.

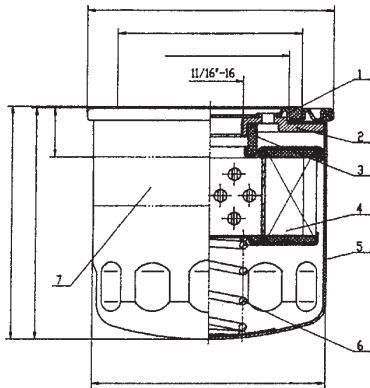
Fuel flow is rated in Gallons Per Hour (GPH). A typical 350/5.7L inboard engine will require 27 GPH at 4,800 rpm, a 454/7.4L inboard engine will require 37 GPH at 4,800 rpm. Selecting a fuel/water separator filter should be based on the amount of fuel the engine requires in GPH at wide open throttle.

A 2 micron fuel filter is generally too restrictive for the average four stroke inboard engine and may separate the

oil from the fuel in two stroke outboard engines. For this reason GLM sells only the 10 and 28 micron fuel filters.

The 28 micron filter is the most common size fuel filter in the marine industry and is the standard replacement filter for all two stroke and four stroke marine engines. The GLM 28 micron filter exceeds all engine manufacturers' specifications for particle filtering, water separating and fuel flow.

The GLM 10 micron filter will provide exceptional filtering and only moderate fuel pressure loss. When used with sufficient sized fuel lines it will flow enough fuel for inboard engines up to 550 horsepower. It will **not** separate the oil from the gasoline on a two stroke outboard equipped boat. Because a 10 micron filter clogs faster than a 28 micron filter GLM recommends it only for boaters who are vigilant in replacing the water/fuel separator filter at regular intervals.



GLM Fuel Filter Features

- * 28 or 10 micron filter paper shaped into 70 pleats total 327 sq. in. filtration. The largest filtering capability in the aftermarket. (4)
- * BWG #11 heavy duty spring (6).
- * Gasoline resistant rubber seals (1) (3).
- * Oxidizing treatment inside powder coated outside for corrosion protection (5).
- * Minimum 196N.m. torque strength between adapt plate and canister (2).
- * Will not separate 2 cycle oil from gasoline!

SUS316 Stainless Steel Brackets		Translucent Red Stainless Steel Brackets		Die Cast Aluminum Brackets	
No. 25010 w/ 2 brass plugs 2 extension tubes  ø 1/4" NPTF Ports (2 inputs & 2 outputs)	No. 25030 w/ 2 brass plugs 2 extension tubes  ø 3/8" NPTF Ports (2 inputs & 2 outputs)	No. 25011 w/ 2 brass plugs 2 extension tubes  NEW ø 1/4" NPTF Ports (2 inputs & 2 outputs)	No. 25031 w/ 2 brass plugs 2 extension tubes  ø 3/8" NPTF Ports (2 inputs & 2 outputs)	No. 25000 w/ 2 brass plugs 2 extension tubes  ø 1/4" NPTF Ports (2 inputs & 2 outputs)	No. 25020 w/ 2 brass plugs 2 extension tubes  ø 3/8" NPTF Ports (2 inputs & 2 outputs)
No. 24942 WATER SEPARATOR FUEL FILTER OEM: N/A  10 Micron Height 4-7/16"			No. 24940 WATER SEPARATOR FUEL FILTER OEM: N/A  28 Micron Height 4-7/16"		

Yamaha / Suzuki / Honda / Tohatsu / Nissan

WATER SEPARATING FUEL FILTER KITS

With Stainless Steel Bracket

No. 24956

(24940+25010)
OEM: N/A

28 Micron

ø 1/4" NPTF Ports
Flow: 50 GPH
with 2 brass plugs & 2 extension tubes



No. 24958

(24940+25030)
OEM: N/A

28 Micron

ø 3/8" NPTF Ports
Flow: 75 GPH
with 2 brass plugs & 2 extension tubes



No. 24957

(24942+25010)
OEM: N/A

10 Micron

ø 1/4" NPTF Ports
Flow: 50 GPH
with 2 brass plugs & 2 extension tubes



No. 24959

(24942+25030)
OEM: N/A

10 Micron

ø 3/8" NPTF Ports
Flow: 75 GPH
with 2 brass plugs & 2 extension tubes



With NEW! Translucent Red Stainless Steel Bracket

No. 24960

(24940+25011)
OEM: N/A

28 Micron

ø 1/4" NPTF Ports
Flow: 50 GPH
with 2 brass plugs & 2 extension tubes



No. 24962

(24940+25031)
OEM: N/A

28 Micron

ø 3/8" NPTF Ports
Flow: 75 GPH
with 2 brass plugs & 2 extension tubes



With Die Cast Aluminum Bracket

No. 24950

(24940+25000)
OEM: N/A

28 Micron

ø 1/4" NPTF Ports
Flow: 50 GPH
with 2 brass plugs & 2 extension tubes



No. 24953

(24940+25020)
OEM: N/A

28 Micron

ø 3/8" NPTF Ports
Flow: 75 GPH
with 2 brass plugs & 2 extension tubes



No. 24952

(24942+25000)
OEM: N/A

10 Micron

ø 1/4" NPTF Ports
Flow: 50 GPH
with 2 brass plugs & 2 extension tubes



No. 24954

(24942+25020)
OEM: N/A

10 Micron

ø 3/8" NPTF Ports
Flow: 75 GPH
with 2 brass plugs & 2 extension tubes





Section 7

Yamaha
Suzuki / Honda / Tohatsu / Nissan

Aluminum Anodes & Prop Hardware Kits

<i>Yamaha Aluminum Anodes</i>	106-108
<i>Suzuki Aluminum Anodes</i>	109
<i>Honda Aluminum Anodes</i>	110
<i>Yamaha Prop Hardware Kits</i>	111-112

Yamaha / Suzuki / Honda / Tohatsu / Nissan

YAMAHA ALUMINUM ANODE KITS

No. 26910

ALUMINUMANODE KIT
OEM: N/A

Fits Models:
4T-40-60 HP



No. 26920

ALUMINUMANODE KIT
OEM: N/A

Fits Models:
60-90 HP



No. 26930

ALUMINUMANODE KIT
OEM: N/A

Fits Models:
150-200 HP



No. 26940

ALUMINUMANODE KIT
OEM: N/A

Fits Models:
150-200 HP
Counter Rotation



No. 26950

ALUMINUMANODE KIT
OEM: N/A

Fits Models:
200-250 HP



No. 26960

ALUMINUMANODE KIT
OEM: N/A

Fits Models:
200-300 HP



Yamaha / Suzuki / Honda / Tohatsu / Nissan

YAMAHA ALUMINUM ANODES

No. 12748

ALUMINUM ANODE
OEM: 6E0-45251-12-00

Fits Models:
40 HP



No. 12844

ALUMINUM ANODE
OEM: 6H1-45251-02

Fits Models:
40-90 HP



No. 12743

ALUMINUM ANODE
OEM: 664-45371-01

Fits Models:
20-50 HP



No. 26677

ALUMINUM ANODE
OEM: 67C-45251-00

Fits Models:
4T-40-60 HP



No. 12886

ALUMINUM ANODE
OEM: 688-45251-01

Fits Models:
40-90 HP



No. 12884

ALUMINUM ANODE
OEM: 6H1-45251-03-00

Fits Models:
40-90 HP



No. 12882

ALUMINUM ANODE
OEM: 6E5-45251

Fits Models:
40-90 HP



No. 12881

ALUMINUM ANODE
OEM: 688-45371-02

Fits Models:
60, 70, 90 HP
(1984 & Up),
C-60, C-75,
C-85, C-90 HP
(1994-01), E-60,
E-75, F-50, P-60,
P-75, T-50 HP



Yamaha / Suzuki / Honda / Tohatsu / Nissan

YAMAHA ALUMINUM ANODES

No. 12845

ALUMINUM ANODE
OEM: 67C-45371

Fits Models:
80-100 HP



No. 12841

ALUMINUM ANODE
OEM: 6T5-45371-00

Fits Models:
V6/V8 DR, DL
(1989-90),
L4 DR (1990),
90, 100, 115 HP



No. 12744

ALUMINUM ANODE
OEM: 6E5-45371-01

Fits Models:
115, 130 HP V6



No. 12885

ALUMINUM ANODE
OEM: 6G5-45251-02-00

Fits Models:
115-225 HP



No. 12843

ALUMINUM ANODE
OEM: 6K1-45371-02

Fits Models:
120, 200 HP
Counter Rotation



No. 12883

ALUMINUM ANODE
OEM: 6J9-45371

Fits Models:
150 HP



No. 12745

ALUMINUM ANODE
OEM: 6K1-45371

Fits Models:
150, 200 HP



No. 12842

ALUMINUM ANODE
OEM: 61A-45371

Fits Models:
200, 225, 250 HP



SUZUKI ALUMINUM ANODES

No. 12887

ALUMINUM ANODE
OEM: 55320-95310

Fits Models:
DF-9.9-250 HP
(1997-06),
DT-4-225 HP
(1983-06)



No. 12856

ALUMINUM ANODE
OEM: 55125-96310

Fits Models:
DF-25, DF-30
(2000-03),
DT-20-35 HP
(1983-00)



No. 12855

ALUMINUM ANODE
OEM: 55125-95500

Fits Models:
DF-40, DF-50
(1999-06),
DT-40-85 HP
(1983-00)



No. 12846

ALUMINUM ANODE
OEM: 11130-94600

Fits Models:
DF-60, DF-70
(1998-03),
DT-5-175 HP
(1983-06)



No. 12848

ALUMINUM ANODE
OEM: 41810-87D00

Fits Models:
DT-90-225 HP
(1986-03)



No. 12857

ALUMINUM ANODE
OEM: 55320-94900

Fits Models:
DF-60-250
(2001-06),
DT-115,
DT-140 HP
(1996-01)



No. 12849

ALUMINUM ANODE
OEM: 55120-8780

Fits Models:
DT-150-225
(1986-03)



No. 12847

ALUMINUM ANODE
OEM: 11281-87D00

Fits Models:
DT75-225 HP
(1986-03)



Yamaha / Suzuki / Honda / Tohatsu / Nissan

HONDA ALUMINUM ANODES

No. 12748

ALUMINUM ANODE
OEM: 6E0-45251-12-00

Fits Models:
4-5 HP



No. 12743

ALUMINUM ANODE
OEM: 41107-ZV5-000

Fits Models:
20-50 HP



No. 12670

ALUMINUM ANODE
OEM: 41107-ZW1-003ZA

Fits Models:
BF-75-BF-90 HP



No. 12858

ALUMINUM ANODE
OEM: 12155-ZV5-000

Mounts inside water passages on both intake and exhaust side.



No. 12675

ALUMINUM ANODE
OEM: 41109-ZW1-003

Mounts on each side of extension case.



No. 12859

ALUMINUM ANODE
OEM: 06411-ZW1-000

Mounts on bottom stern bracket.



No. 12861

ALUMINUM ANODE
OEM: 41109-ZW1-B00

Mounts on each side of extension case.



YAMAHA PROP NUT KITS

No. 21253

PROP HARDWARE KIT
OEM: 66T-W4599-00

Kit contains these items also available individually:



No. 22070
COTTER PIN
OEM: 91490-30030-00



No. 21231
NUT
OEM: 90171-16011-00



No. 21222
BUSHING
OEM: 90389-22M01-00



No. 22179
SPACER
OEM: 66T-45997-00

Fits Models: F30 HP, F40 HP, F50 HP, F60 HP

No. 21254

PROP HARDWARE KIT
OEM: 67F-W4599-00

Kit contains these items also available individually:



No. 22090
COTTER PIN
OEM: 91490-40030-00



No. 21231
NUT
OEM: 90171-16011-00



No. 21223
WASHER
OEM: 90389-25M00-00



No. 22178
SPACER
OEM: 67F-45997-00

Fits Models: F50 HP, F75 HP, F80 HP, F90 HP, F100 HP,
FT 80 HP, T50 HP, T60 HP, 60 HP, 70 HP, 90 HP

No. 21255

PROP HARDWARE KIT
OEM: 689-W4599-00

Kit contains these items also available individually:



No. 22070
COTTER PIN
OEM: 91490-30030-00



No. 21233
NUT
OEM: 90171-14013-00



No. 21224
WASHER
OEM: 92990-14200-00



No. 22177
SPACER
OEM: 689-45997-00

Fits Models: C25 HP, C30 HP, CV25 HP, CV30 HP, F25 HP, 25 HP, 30 HP

YAMAHA PROP NUT KITS

No. 21251

PROP HARDWARE KIT
OEM: 6G5-W4599-00

Kit contains these items also available individually:



No. 22090

COTTER PIN
OEM: 91490-40030-00



No. 21241

NUT
OEM: 90171-18M04-00



No. 21221

WASHER
OEM: 92990-18200-00



No. 22191

SPACER
OEM: 688-45997-01

Fits Models: B-115HP, C-115HP, C-150HP, D-150HP, DX-150HP, F-115HP, F-150HP, F-200HP, F-225HP, F-250HP, L-115HP, L-130HP, L-150HP, L-200HP, L-225HP, L-250HP, LF-115HP, LF-150HP, LF-200HP, LF-225HP, LF-250HP, LX-150HP, LX-200HP, LX-225HP, LX-250HP, LZ-150HP, LZ-200HP, LZ-250HP, LZ-300HP, P-115HP, P-150HP, P-175HP, P-200HP, PW-150HP, PX-150HP, S-115HP, S-130HP, S-150HP, S-175HP, S-200HP, S-225HP, S-250HP, SX-150HP, SX-200HP, SX-225HP, SX-250HP, V-150HP, V-175HP, V-200HP, V-225HP, VX-150HP, VX-200HP, VX-225HP, VX-250HP, VX-300HP, VZ-150HP, VZ-175HP, VZ-200HP, VZ-225HP, VZ-250HP, VZ-300HP, Z-150HP, Z-175HP, Z-200HP, Z-250HP, Z-300HP, 115HP, 130HP, 150HP, 175HP, 200HP, 225HP, 250HP

No. 21261

PROP HARDWARE KIT
OEM: 6H1-W4599-00

Kit contains these items also available individually:



No. 22070

COTTER PIN
OEM: 91490-30030-00



No. 21231

NUT
OEM: 90171-16011-00



No. 21211

WASHER
OEM: 90201-17M00-00



No. 22191

SPACER
OEM: 688-45997-01

Fits Models: B-90HP, C-60HP, C-70HP, C-75HP, C-80HP, C-85HP, C-90HP, CV-85HP, E-60HP, E-75HP, P-60HP, P-75HP, S-75HP, T-50HP, 60HP, 70HP, 90HP

No. 21262

PROP HARDWARE KIT
OEM: 6H4-W4599-00

Kit contains these items also available individually:



No. 22146

COTTER PIN
OEM: 91490-30030-00



No. 21231

NUT
OEM: 90171-16011-00



No. 21225

WASHER
OEM: 92990-16200-00



No. 22176

SPACER
OEM: 670-45997-02

Fits Models: C-40HP, C-50HP, C-55HP, CV-40HP, CV-55HP, E-48HP, F-40HP, F-50HP, P-40HP, P-50HP, 40HP, 50HP

Section 8

Yamaha Suzuki / Honda / Tohatsu / Nissan Index & Cross References

<i>Yamaha - Index of All Years and Models (1984-1989)</i>	114
<i>Yamaha - Index of All Years and Models (1989 cont.-1992)</i>	115
<i>Yamaha - Index of All Years and Models (1992 cont.-1995)</i>	116
<i>Yamaha - Index of All Years and Models (1995 cont.-1997)</i>	117
<i>Yamaha - Index of All Years and Models (1997 cont.-1999)</i>	118
<i>Yamaha - Index of All Years and Models (1999 cont.-2002)</i>	119
<i>Yamaha - Index of All Years and Models (2002 cont.-2004)</i>	120
<i>Yamaha - Index of All Years and Models (2004 cont.-2006)</i>	121
<i>Yamaha - Index of All Years and Models (2006 cont.)</i>	122
<i>GLM Limited Warranty</i>	123
<i>GLM Warranty Service Procedure</i>	124
<i>GLM Warranty Claim Application</i>	125

Yamaha / Suzuki / Honda / Tohatsu / Nissan

YAMAHA OUTBOARDS - ALL YEARS AND MODELS (1984-1989)

Year	HP / Model	Year	HP / Model	Year	HP / Model
1984	115ETLN	1986	115ETLJ	1987	V6 EXCEL XH
1984	115ETXN	1986	115ETXJ	1988	115ETLG
1984	15ELN	1986	150ETLJ	1988	115ETLGJD
1984	15ESN	1986	150ETXJ	1988	115ETXG
1984	15LN	1986	15ELJ	1988	130ETLG
1984	15SN	1986	15ESJ	1988	130ETXG
1984	200ETLN	1986	15LJ	1988	15ELG
1984	200ETXN	1986	15SJ	1988	15ESG
1984	25ELN	1986	175ETLJ	1988	15LG
1984	25ESN	1986	175ETXJ	1988	15SG
1984	25LN	1986	200ETLJ	1988	25ELG
1984	25SN	1986	200ETXJ	1988	25ESG
1984	2SN	1986	30ELJ	1988	25LG
1984	30ELN	1986	30ESJ	1988	25SG
1984	30ESN	1986	40ELJ	1988	2SG
1984	40ELN	1986	40ESJ	1988	3LG
1984	40ESN	1986	40ETLJ	1988	3SG
1984	40LN	1986	40LJ	1988	40ELG
1984	40SN	1986	40SJ	1988	40ESG
1984	4LN	1986	50ELJ	1988	40ETLG
1984	4SN	1986	50ESJ	1988	40LG
1984	5LN	1986	50ETLJ	1988	40SG
1984	5SN	1986	70ETLJ	1988	4LG
1984	70ETLN	1986	9.9ELJ	1988	4SG
1984	8LN	1986	9.9ESJ	1988	50ELG
1984	8SN	1986	9.9LJ	1988	50ESG
1984	9.9ELN	1986	9.9SJ	1988	50ESGJD
1984	9.9ESN	1986	90ETLJ	1988	70ETLG
1984	9.9LN	1986	F9.9SJ	1988	9.9ELG
1984	9.9SN	1986	FT9.9ELJ	1988	9.9ESG
1984	90ETLN	1986	FT9.9EXJ	1988	9.9LG
1984	90ETXN	1986	FT9.9XJ	1988	9.9SG
1985	115ETLK	1986	L150ETXJ	1988	90ETLG
1985	115ETXK	1986	L200ETXJ	1988	90ETLGJD
1985	150ETLK	1986	PROV 150J	1988	F9.9LG
1985	150ETXK	1986	V6 SPECIAL J	1988	F9.9SG
1985	15ELK	1987	115ETLH	1988	FT9.9ELG
1985	15ESK	1987	115ETJHJD	1988	FT9.9EXG
1985	15LK	1987	115ETXH	1988	FT9.9XG
1985	15SK	1987	150ETLH	1988	L150ETXG
1985	175ETLK	1987	150ETXH	1988	L200ETXG
1985	175ETXK	1987	15ELH	1988	PRO50LG
1985	200ETLK	1987	15ESH	1988	PROV150LG
1985	200ETXK	1987	15LH	1988	V6EXCELLG
1985	25ELK	1987	15SH	1988	V6EXCELXG
1985	25ESK	1987	175ETLH	1989	115ETLF
1985	25LK	1987	175ETXH	1989	115ETLFJD
1985	25SK	1987	200ETLH	1989	115ETXF
1985	2SK	1987	200ETLHJD	1989	130ETLF
1985	30ELK	1987	200ETXH	1989	130ETXF
1985	30ESK	1987	30ELH	1989	150ETLF
1985	40ELK	1987	30ESH	1989	150ELF
1985	40ESK	1987	30LH	1989	15ELF
1985	40ETLK	1987	30SH	1989	15ESF
1985	40LK	1987	50ELH	1989	15LF
1985	40SK	1987	50ESH	1989	15SF
1985	4LK	1987	50ESHJD	1989	175ETLF
1985	4SK	1987	70ETLH	1989	175ETXF
1985	5LK	1987	9.9ELH	1989	200ETLF
1985	5SK	1987	9.9ESH	1989	200ETLFJD
1985	70ETLK	1987	9.9LH	1989	200ETXF
1985	8LK	1987	9.9SH	1989	25ELF
1985	8LK	1987	90ETLH	1989	25ESF
1985	8SK	1987	90ETLHJD	1989	25LF
1985	9.9ELK	1987	F9.9LH	1989	25SF
1985	9.9ESK	1987	F9.9SH	1989	2F
1985	9.9LK	1987	FT9.9ELH	1989	30ELF
1985	9.9SK	1987	FT9.9EXH	1989	30ESF
1985	90ETLK	1987	FT9.9XH	1989	30LF
1985	FT9.9ELK	1987	L150ETXH	1989	30SF
1985	FT9.9EXK	1987	L200ETXH	1989	3LF
1985	FT9.9XK	1987	PRO V 150LH	1989	3SF
1985	V6-SPECIAL LK	1987	PRO50LH	1989	40ELF
1985	V6-SPECIAL XK	1987	V6 EXCEL LH	1989	40ESF

Yamaha / Suzuki / Honda / Tohatsu / Nissan

YAMAHA OUTBOARDS - ALL YEARS AND MODELS (1989 cont.-1992)

Year	HP / Model	Year	HP / Model	Year	HP / Model
1989	40ETLF	1990	30ELD	1991	9.9ELHP
1989	40LF	1990	30ESD	1991	9.9ESH
1989	40SF	1990	30LD	1991	9.9MLHP
1989	40SFJD	1990	30SD	1991	9.9MSHP
1989	4LF	1990	3LD	1991	90TJRP
1989	4SF	1990	3SD	1991	90TLRP
1989	50ELF	1990	40ELD	1991	C115TLRP
1989	50ESF	1990	40ESD	1991	C25ELRP
1989	50ESFJD	1990	40ETLD	1991	C30ELRP
1989	6LF	1990	40LD	1991	C40ELRP
1989	6SF	1990	40SD	1991	C55ELRP
1989	70ETLF	1990	40SDJD	1991	C85TLRP
1989	8LF	1990	4LD	1991	F9.9MLHP
1989	8SF	1990	4SD	1991	F9.9MSHP
1989	9.9ELF	1990	50ELD	1991	L130TXRP
1989	9.9ESF	1990	50ESD	1991	L150TXRP
1989	9.9LF	1990	50ESDJD	1991	L200TXRP
1989	9.9SF	1990	50ETMLD	1991	L250TLRP
1989	90ETLF	1990	70ETLD	1991	P150TLRP
1989	90ETLFJD	1990	8LD	1991	P200TLRP
1989	F9.9LF	1990	8SD	1991	P50TLRP
1989	F9.9SF	1990	9.9ELD	1991	P60TLHP
1989	FT9.9ELF	1990	9.9ESD	1991	T9.9ELHP
1989	FT9.9EXF	1990	9.9LD	1991	T9.9ELRP
1989	FT9.9XF	1990	9.9SD	1991	T9.9EXHP
1989	L130ETXF	1990	90ETLD	1991	T9.9MXHP
1989	L150ETXF	1990	90ETLDJD	1992	9.9MLHQ
1989	L200ETXF	1991	115TJRP	1992	9.9MSHQ
1989	PRO50LF	1991	115TLRP	1992	90TJRP
1989	PROV150LF	1991	115TXRP	1992	90TLRP
1989	V6 EXCEL LF	1991	130TLRP	1992	C115TLRP
1989	V6 EXCEL XF	1991	130TXRP	1992	C115TXRP
1990	CV25ELD	1991	150TLRP	1992	C30ELRP
1990	CV25EMLD	1991	150TXRP	1992	C40ELRP
1990	CV30ELD	1991	15ELHP	1992	C40MSHQ
1990	CV40ELD	1991	15ESH	1992	C40PLRP
1990	CV85ELD	1991	15MLHP	1992	C55ELRP
1990	CV85ELD	1991	15MSHP	1992	C85TLRP
1990	F9.9LD	1991	175TLRP	1992	DUAL STATION
1990	F9.9SD	1991	175TXRP	1992	F9.9MLHQ
1990	FT9.9ELD	1991	200TJRP	1992	F9.9MSHQ
1990	FT9.9ERLD	1991	200TLRP	1992	L130TXRP
1990	FT9.9EXD	1991	200TXRP	1992	L150TXRP
1990	FT9.9XD	1991	225TLRP	1992	L200TXRP
1990	L130ETXD	1991	225TXRP	1992	L250TURP
1990	L150ETXD	1991	250TURP	1992	L250TXRP
1990	L200ETXD	1991	250TXRP	1992	P150TLRP
1990	L250ETXD	1991	25ELHP	1992	P200TLRP
1990	PRO50LD	1991	25ELRP	1992	P50TLRP
1990	PROV150LD	1991	25ESH	1992	P60TLHP
1990	115ETLD	1991	25MLHP	1992	T9.9ELHQ
1990	115ETLDJD	1991	25MSHP	1992	T9.9ELRP
1990	115ETXD	1991	2MSHP	1992	T9.9EXHQ
1990	130ETLD	1991	30ELRP	1992	T9.9MXHQ
1990	130ETXD	1991	30ESRP	1992	115TJRP
1990	150ETLD	1991	30MLHP	1992	115TLRP
1990	150ETXD	1991	30MSHP	1992	115TXRP
1990	15ELD	1991	3MLHP	1992	130TLRP
1990	15ESD	1991	3MSHP	1992	130TXRP
1990	15LD	1991	40EJRP	1992	150TLRP
1990	15SD	1991	40ELRP	1992	150TXRP
1990	175ETLD	1991	40ESRP	1992	15ELHQ
1990	175ETXD	1991	40MJHP	1992	15ESH
1990	200ETLD	1991	40MLHP	1992	15MLHQ
1990	200ETLDJD	1991	40MSHP	1992	15MSHQ
1990	200ETXD	1991	40PLRP	1992	175TLRP
1990	225ETLD	1991	4MLHP	1992	175TXRP
1990	225ETXD	1991	4MSHP	1992	200TJRP
1990	250ETXD	1991	50EJRP	1992	200TLRP
1990	25ELD	1991	50ELRP	1992	200TXRP
1990	25ESD	1991	50TLHP	1992	225TLRP
1990	25LD	1991	70TLRP	1992	225TXRP
1990	25SD	1991	8MLHP	1992	250TURP
1990	2SD	1991	8MSHP	1992	250TXRP

Yamaha / Suzuki / Honda / Tohatsu / Nissan

YAMAHA OUTBOARDS - ALL YEARS AND MODELS (1992 cont.-1995)

Year	HP / Model	Year	HP / Model	Year	HP / Model
1992	25ELHQ	1993	6MLHR	1994	40MSHS
1992	25ELRQ	1993	6MSHR	1994	40PLRS
1992	25ESHQ	1993	70TLRR	1994	40TLRS
1992	25MLHQ	1993	70TRR	1994	4MLHS
1992	25MSHQ	1993	8MLHR	1994	4MSHS
1992	2MSHQ	1993	8MSHR	1994	50EJRS
1992	30ELRQ	1993	9.9ELHR	1994	50ELRS
1992	30ESRQ	1993	9.9ESHR	1994	50THS
1992	30MLHQ	1993	9.9MLHR	1994	50TLHS
1992	30MSHQ	1993	9.9MSHR	1994	6MLHS
1992	3MLHQ	1993	90TJRR	1994	6MSHS
1992	3MSHQ	1993	90TLRR	1994	70TLRS
1992	40EJRQ	1993	C115TLRR	1994	8MLHS
1992	40ELRQ	1993	C115TXRR	1994	8MSHS
1992	40ESRQ	1993	C25ELHR	1994	9.9ELHS
1992	40MJHQ	1993	C25ELRR	1994	9.9ESHS
1992	40MLHQ	1993	C25MLHR	1994	9.9MLHS
1992	40MSHQ	1993	C25MSHR	1994	9.9MSHS
1992	40PLRQ	1993	C30ELRR	1994	90TJRS
1992	4MLHQ	1993	C40ELRR	1994	90TLRS
1992	4MSHQ	1993	C40MSHR	1994	C115TLRS
1992	50EJRQ	1993	C40PLRR	1994	C115TXRS
1992	50ELRQ	1993	C55ELRR	1994	C25ELHS
1992	50TLHQ	1993	C55TLRR	1994	C25ELRS
1992	6MLHQ	1993	C85TLRR	1994	C25MLHS
1992	6MSHQ	1993	F9.9MLHR	1994	C25MSHS
1992	70TLRQ	1993	F9.9MSHR	1994	C30ELRS
1992	8MLHQ	1993	L130TXRR	1994	C55ELRS
1992	8MSHQ	1993	L150TXRR	1994	C55TLRS
1992	9.9ELHQ	1993	L200TXRR	1994	C75TLRS
1992	9.9ESHQ	1993	L250TURR	1994	C85TLRS
1992	9.9ESHQ	1993	L250TXRR	1994	F9.9MLHS
1993	115TJRP	1993	P115TLRR	1994	F9.9MSHS
1993	115TLRP	1993	P150TLRR	1994	L130TXRS
1993	115TXRR	1993	P200TLRR	1994	L150TXRS
1993	130TLRP	1993	P50TLRR	1994	L200TXRS
1993	130TXRR	1993	P60TLHR	1994	L225TXRS
1993	150TLRR	1993	T9.9ELHR	1994	L250TURS
1993	150TXRR	1993	T9.9ELRR	1994	L250TXRS
1993	15ELHR	1993	T9.9EXHR	1994	P115TLRS
1993	15ESHR	1993	T9.9MXHR	1994	P150TLRS
1993	15MLHR	1994	115TJRS	1994	P175TLRS
1993	15MSHR	1994	115TLRS	1994	P200TLRS
1993	175TLRR	1994	115TXRS	1994	P50TLRS
1993	175TXRR	1994	130TLRS	1994	P60TLHS
1993	200TJRR	1994	130TXRS	1994	T9.9ELHS
1993	200TLRR	1994	150TLRS	1994	T9.9ELRS
1993	200TXRR	1994	150TXRS	1994	T9.9EXHS
1993	225TLRR	1994	15ELHS	1994	T9.9MXHS
1993	225TXRR	1994	15ESHS	1995	115EJRT
1993	25ELHR	1994	15MLHS	1995	115TLRT
1993	25ELRR	1994	15MSHS	1995	115TXRT
1993	25ESHR	1994	175TLRS	1995	130TLRT
1993	25MLHR	1994	175TXRS	1995	130TXRT
1993	25MSHR	1994	200TJRS	1995	150TLRT
1993	2MSHR	1994	200TLRS	1995	150TXRT
1993	30ELRR	1994	200TXRS	1995	15ELHT
1993	30ESRR	1994	225TLRS	1995	15ESHT
1993	30MLHR	1994	225TXRS	1995	15MLHT
1993	30MSHR	1994	250TURS	1995	15MSHT
1993	3MLHR	1994	250TXRS	1995	175TLRT
1993	3MSHR	1994	25ELHS	1995	175TXRT
1993	40EJRR	1994	25ELRS	1995	200TJRT
1993	40ELRR	1994	25ESHS	1995	200TLRT
1993	40ESRR	1994	25MLHS	1995	200TXRT
1993	40MJHR	1994	25MSHS	1995	225TLRT
1993	40MLHR	1994	2MSHS	1995	225TURT
1993	40MSHR	1994	3MLHS	1995	225TXRT
1993	40PLRR	1994	3MSHS	1995	250TURT
1993	4MLHR	1994	40EJRS	1995	250TXRT
1993	4MSHR	1994	40ELRS	1995	25ELHT
1993	50EJRR	1994	40ESRS	1995	25ELRT
1993	50ELRR	1994	40MJHS	1995	25ESHT
1993	50TLHR	1994	40MLHS	1995	25MLHT

Yamaha / Suzuki / Honda / Tohatsu / Nissan

YAMAHA OUTBOARDS - ALL YEARS AND MODELS (1995 cont.-1997)

Year	HP / Model	Year	HP / Model	Year	HP / Model
1995	25MLHT	1996	15MLHU	1996	P200TLRU
1995	2MSHT	1996	15MSHU	1996	P50TLRU
1995	3MLHT	1996	200TLRU	1996	P60TLHU
1995	3MSHT	1996	20MLHU	1996	P75TLHU
1995	40EJRT	1996	20MSHU	1996	S115TLRU
1995	40ELRT	1996	225TLRU	1996	S115TXRU
1995	40ESRT	1996	25ELHU	1996	S130TLRU
1995	40MJHT	1996	25ELRU	1996	S130TXRU
1995	40MLHT	1996	25ESHU	1996	S150TLRU
1995	40MSHT	1996	25MLHU	1996	S150TSRU
1995	40TLRT	1996	25MSHU	1996	S175TXRU
1995	4MLHT	1996	2MSHU	1996	S200TXRU
1995	4MSHT	1996	30ELHU	1996	S225TXRU
1995	50EJRT	1996	30ELRU	1996	S225TXRU
1995	50ELRT	1996	30ESRU	1996	S250TURU
1995	50TLHT	1996	30MLHU	1996	S250TXRU
1995	5MSHT	1996	30MSHU	1996	T50TLRU
1995	5MSHT	1996	3MLHU	1996	T9.9ELHU
1995	6MLHT	1996	3MSHU	1996	T9.9ELRU
1995	6MSHT	1996	40EJRU	1996	T9.9EXHU
1995	70TLRT	1996	40ELRU	1996	T9.9MLHU
1995	8MLHT	1996	40ESRU	1996	T9.9MXHU
1995	8MSHT	1996	40MJHU	1997	115TJRV
1995	9.9ELHT	1996	40MLHU	1997	115TLRV
1995	9.9ESHT	1996	40MSHU	1997	130TLRV
1995	9.9MLHT	1996	40TLHU	1997	150TJRV
1995	9.9MSHT	1996	40TLRU	1997	150TLRV
1995	90EJRT	1996	4MLHU	1997	15ELHV
1995	90TLRT	1996	4MSHU	1997	15ESHV
1995	C115TLRT	1996	50EJRU	1997	15MLHV
1995	C115TXRT	1996	50TLHU	1997	15MSHV
1995	C25ELHT	1996	5MLHU	1997	175TLRV
1995	C25ELRT	1996	5MSHU	1997	200TLRV
1995	C25MLHT	1996	6MLHU	1997	20MLHV
1995	C25MSHT	1996	6MSHU	1997	20MSHV
1995	C30ELRT	1996	70TLRU	1997	225TLRV
1995	C40ELRT	1996	8MLHU	1997	25ELHV
1995	C40MLHT	1996	8MSHU	1997	25ELRV
1995	C40MSHT	1996	9.9ELHU	1997	25ESHV
1995	C40PLRT	1996	9.9ELRU	1997	25MLHV3
1995	C55ELRT	1996	9.9ESHU	1997	25MSHV3
1995	C55TLRT	1996	9.9MLHU	1997	2MSHV
1995	C75TLRT	1996	9.9MSHU	1997	30ELHV
1995	C85TLRT	1996	90TJRU	1997	30ELRV
1995	E48MLHT	1996	90TLRU	1997	30ESRV
1995	E60MLHT	1996	C115TLRU	1997	30MLHV
1995	E75MLHT	1996	C115TXRU	1997	30MSHV
1995	F9.9MLHT	1996	C150TLRU	1997	3MLHV
1995	F9.9MSHT	1996	C150TXRU	1997	3MSHV
1995	L130TXRT	1996	C25ELHU	1997	40EJRV
1995	L150TXRT	1996	C25ELRU	1997	40ELRV
1995	L200TLRT	1996	C25MLHU	1997	40ESRV
1995	L200TXRT	1996	C25MSHU	1997	40MJHV
1995	L225TURT	1996	C30ELRU	1997	40MLHV
1995	L225TXRT	1996	C40ELRU	1997	40MSHV
1995	L250TURT	1996	C40MSHU	1997	40TLHV
1995	L250TXRT	1996	C40PLRU	1997	40TLRV
1995	P115TLRT	1996	C60TLRU	1997	4MLHV
1995	P150TLRT	1996	C75TLRU	1997	4MSHV
1995	P175TLRT	1996	C85TLRU	1997	50EJRV
1995	P200LTRT	1996	E60MLHU	1997	50TLHV
1995	P50TLRT	1996	E75MLHU	1997	50TLRV
1995	P60TLHT	1996	F50TLHU	1997	5MLHV
1995	T9.9ELHT	1996	F50TLRU	1997	5MSHV
1995	T9.9ELRT	1996	L130TXRU	1997	6MLHV
1995	T9.9EXHT	1996	L150TXRU	1997	6MSHV
1995	T9.9MXHT	1996	L200TXRU	1997	70TLRV
1996	115TJRU	1996	L225TURU	1997	8MLHV
1996	115TLRU	1996	L225TXRU	1997	8MSHV
1996	130TLRU	1996	L250TURU	1997	9.9ELRV
1996	150TJRU	1996	L250TXRU	1997	9.9ESHV
1996	150TLRU	1996	P115TLRU	1997	9.9MLHV
1996	15ELHU	1996	P150TLRU	1997	9.9MSHV
1996	15ESHU	1996	P175TLRU	1997	90TJRV

Yamaha / Suzuki / Honda / Tohatsu / Nissan

YAMAHA OUTBOARDS - ALL YEARS AND MODELS (1997 cont.-1999)

Year	HP / Model	Year	HP / Model	Year	HP / Model
1997	90TLRV	1998	30ELHW	1998	T50TLRW
1997	C115TLRV	1998	30ELHW	1998	V200TLRW
1997	C115TXRV	1998	30ELRW	1998	V225TLRW
1997	C150TLRV	1998	30ESRW	1999	115TJRX
1997	C150TXRV	1998	30MLHW	1999	130TLRX
1997	C25ELHV	1998	30MSHW	1999	150TJRX
1997	C25ELRV	1998	3MLHW	1999	15MLHX
1997	C25MLHV	1998	3MSHW	1999	15MSHX
1997	C25MSHV	1998	40ELRW	1999	25MLHX3
1997	C30ELRV	1998	40ESRW	1999	25MSHX3
1997	C40ELRV	1998	40MLHW	1999	2MSHX
1997	C40ESHV	1998	40MSHW	1999	30EHX
1997	C40MSHV	1998	40TLRW	1999	30ELHX
1997	C40PLRV	1998	4MLHW	1999	30ELRX
1997	C40TLRV	1998	4MSHW	1999	30ERX
1997	C60TLRV	1998	5MLHW	1999	30MHX
1997	C80TLRV	1998	5MSHW	1999	30MLHX
1997	C90TLRV	1998	6MLHW	1999	30MSHX
1997	D150TLRV	1998	6MSHW	1999	3MLHX
1997	E48MLHV	1998	70TLRW	1999	3MSHX
1997	E60MLHV	1998	8MLHW	1999	40EJRX
1997	E75MLHV	1998	8MSHW	1999	40ESRX
1997	F50TLHV	1998	9.9MLHW	1999	40MJHX
1997	F50TLRV	1998	9.9MSHW	1999	40MLHX
1997	F9.9MLHV	1998	90TJRW	1999	40MSHX
1997	F9.9MSHV	1998	90TLRW	1999	40TLRX
1997	L130TXRV	1998	B115TLRW	1999	4MLHX
1997	L150TXRV	1998	B90TLRW	1999	4MSHX
1997	L200TXRV	1998	C115TLRW	1999	50EJRX
1997	L225TURV	1998	C115TXRW	1999	5MLHX
1997	L225TXRV	1998	C150TLRW	1999	5MSHX
1997	L250TURV	1998	C150TXRW	1999	6MLHX
1997	L250TXRV	1998	C40TLRW	1999	6MSHX
1997	P150TLRV	1998	C50TLRW	1999	70TRX
1997	P175TLRV	1998	C60TLRW	1999	8MLHX
1997	P200TLRV	1998	C75TLRW	1999	8MSHX
1997	P60TLHV	1998	C90TLRW	1999	9.9MLHX
1997	P75TLHV	1998	D150TLRW	1999	9.9MSHX
1997	S115TLRV	1998	E48MLHW	1999	90TJRX
1997	S115TXRV	1998	E60MLHW	1999	90TLRX
1997	S130TLRV	1998	E75MLHW	1999	B115TLRX
1997	S130TXRV	1998	F15ELHW	1999	B90TLRX
1997	S150TLRV	1998	F15ESHW	1999	C115TLRX
1997	S150TXRV	1998	F15MLHW	1999	C115TXRX
1997	S175TXRV	1998	F15MSHW	1999	C150TLRX
1997	S200TXRV	1998	F25ELHW	1999	C150TXRX
1997	S225TURV	1998	F25ELRW	1999	C40TLRX
1997	S225TXRV	1998	F25ESHW	1999	C50TLRX
1997	S250TURV	1998	F25TLRW	1999	C60TLRX
1997	S250TXRX	1998	F50TLHW	1999	C75TLRX
1997	T50TLRV	1998	F50TLRW	1999	C90TLRX
1997	T9.9ELHV	1998	F9.9MLHW	1999	D150TLRX
1997	T9.9ELRV	1998	F9.9MSHW	1999	DX150TLRX
1997	T9.9EXHV	1998	L130TXRW	1999	E48MLHX
1997	T9.9EXRV	1998	L150TXRW	1999	E60MLHX
1997	T9.9MLHV	1998	L200TXRW	1999	E75MLHX
1997	T9.9MXHV	1998	L225TURW	1999	F100TLRX
1998	115TJRW	1998	L225TXRW	1999	F100TXRX
1998	115TLRW	1998	L250TURW	1999	F15ELHX
1998	130TLRW	1998	L250TXRW	1999	F15ESHX
1998	150TJRW	1998	P150TLRW	1999	F15MLHX
1998	150TLRW	1998	P175TLRW	1999	F15MSHX
1998	15MLHW	1998	P200TLRW	1999	F25ELHX
1998	15MSHW	1998	P40EJRW	1999	F25ELRX
1998	175TLRW	1998	P40TLHW	1999	F25ESHX
1998	200TLRW	1998	P60TLHW	1999	F25MLHX
1998	25ELHW	1998	P75TLHW	1999	F25MSHX
1998	25ELRW	1998	S115TLRW	1999	F25TLRX
1998	25ESHW	1998	S115TXRW	1999	F40TLRX
1998	25MLHW	1998	S130TLRW	1999	F4MLHX
1998	25MLHW3	1998	S130TXRW	1999	F4MSHX
1998	25MSHW	1998	S225TURW	1999	F50TLRX
1998	25MSHW3	1998	S225TXRW	1999	F80TLRX
1998	2MSHW	1998	S250TXRW	1999	F80TXRX

Yamaha / Suzuki / Honda / Tohatsu / Nissan

YAMAHA OUTBOARDS - ALL YEARS AND MODELS (1999 cont.-2002)

Year	HP / Model	Year	HP / Model	Year	HP / Model
1999	F9.9MLHX	2000	LF115TRY	2001	F9.9ELRZ
1999	F9.9MSHX	2000	LX225TRY	2001	F9.9MLHZ
1999	L130TXRX	2000	LX250TRY	2001	F9.9MSHZ
1999	L150TXRX	2000	LZ150TRY	2001	LF115TXRZ
1999	L200TXRX	2000	LZ200TRY	2001	LX150TXRZ
1999	L225TXRX	2000	SX225TRY	2001	LX200TXRZ
1999	L250TURX	2000	SX250TRY	2001	LX225TXRZ
1999	L250TXRX	2000	T50TLRY	2001	LX250TURZ
1999	LX150TXRX	2000	V150TLRY	2001	LX250TXRZ
1999	LX200TXRX	2000	V175TLRY	2001	LZ150TXRZ
1999	P150TLRX	2000	VX150TLRY	2001	LZ200TXRZ
1999	P175TLRX	2000	VX200TLRY	2001	SX150TXRZ
1999	P200TLRX	2000	VX225TLRY	2001	SX200TXRZ
1999	P60TLHX	2000	VZ150TLRY	2001	SX225TURZ
1999	P75TLHX	2000	Z150TRY	2001	SX225TXRZ
1999	PX150TLRX	2000	Z200TRY	2001	SX250TURZ
1999	S115TLRX	2001	150TXRZ	2001	SX250TXRZ
1999	S115TXRX	2001	15MSHZ	2001	T25TLRZ
1999	S130TLRX	2001	25MHZ3	2001	T50TLRZ
1999	S130TXRX	2001	25MLHZ	2001	T8PLHZ
1999	S150TLRX	2001	25MSHZ	2001	T8PLRZ
1999	S150TXRX	2001	30ELHZ	2001	T8PXHZ
1999	S175TXRX	2001	30ELRZ	2001	T8PXRZ
1999	S200TXRX	2001	30MLHZ	2001	T9.9ELHZ
1999	S225TURX	2001	30MSHZ	2001	T9.9ELRZ
1999	S225TXRX	2001	40MJHZ	2001	T9.9EXHZ
1999	S250TXRX	2001	40MLHZ	2001	T9.9EXRZ
1999	SX150TLRX	2001	40TLRZ	2001	V150TLRZ
1999	SX150TXRX	2001	5MSHZ	2001	VX150TLRZ
1999	T50TLRX	2001	70TLRZ	2001	VX200TLRZ
1999	T9.9ELHX	2001	8MSHZ	2001	VX225TLRZ
1999	T9.9ELRX	2001	9.9MSHZ	2001	VZ150TLRZ
1999	T9.9EXHX	2001	90TJRZ	2001	VZ175TLRZ
1999	T9.9EXRX	2001	90TLRZ	2001	VZ200TLRZ
1999	V200TLRX	2001	C40TLRZ	2001	Z150TLRZ
1999	V225TLRX	2001	C50TLRZ	2001	Z150TXRZ
2000	115TRY	2001	C60TLRZ	2001	Z175TXRZ
2000	130TRY	2001	C70TLRZ	2001	Z200TLRZ
2000	150TRY	2001	C90TLRZ	2001	Z200TXRZ
2000	15MHY	2001	DX150TLRZ	2002	115TLRA
2000	175TRY	2001	F100TLRZ	2002	115TXRA
2000	25MHY	2001	F100TXRZ	2002	130TLRA
2000	40MHY	2001	F115TJRZ	2002	130TXRA
2000	40TLRY	2001	F115TLRZ	2002	150TXRA
2000	50ERY	2001	F115TXRZ	2002	15MSHA
2000	70TLRY	2001	F15ELHZ	2002	25MSH3A
2000	9.9MHY	2001	F15ESHZ	2002	25MSHA
2000	90TJRY	2001	F15MLHZ	2002	25MSHA3
2000	90TLRY	2001	F15MSHZ	2002	2MSHA
2000	C115TRY	2001	F15PLHZ	2002	30MSHA
2000	C40TLRY	2001	F15PLRZ	2002	3MSHA
2000	C50TLRY	2001	F25ELHZ	2002	40TLRA
2000	C60TLRY	2001	F25ELRZ	2002	50TLRA
2000	C70TLRY	2001	F25ESHZ	2002	5MSHA
2000	C90TLRY	2001	F25ESRZ	2002	60TLRA
2000	DX150TLRY	2001	F25MLHZ	2002	70TLRA
2000	E48MHY	2001	F25MSHZ	2002	8MSHA
2000	E60MLHY	2001	F25TLRZ	2002	9.9MSHA
2000	E75MLHY	2001	F30TLRZ	2002	90TLRA
2000	F100TLRY	2001	F40ESRZ	2002	C40TLRA
2000	F115TRY	2001	F40MJHZ	2002	DX150TLRA
2000	F15EHY	2001	F40MLHZ	2002	F100TLRA
2000	F15MHY	2001	F40MSHZ	2002	F100TXRA
2000	F25EHY	2001	F40TLRZ	2002	F115TJRA
2000	F25ELRY	2001	F4MLHZ	2002	F115TLRA
2000	F25MHY	2001	F4MSHZ	2002	F115TXRA
2000	F25TLRY	2001	F50TJRZ	2002	F15ELHA
2000	F40ESRY	2001	F50TLRZ	2002	F15ESHZ
2000	F40MHY	2001	F6MLHZ	2002	F15MLHA
2000	F40TLRY	2001	F6MSHZ	2002	F15MSHA
2000	F4MHY	2001	F80TJRZ	2002	F15PLHA
2000	F50TLRY	2001	F80TLRZ	2002	F15PLRA
2000	F80TLRY	2001	F8MLHZ	2002	F200TXRA
2000	L130TRY	2001	F8MSHZ	2002	F225TURA

Yamaha / Suzuki / Honda / Tohatsu / Nissan

YAMAHA OUTBOARDS - ALL YEARS AND MODELS (2002 cont.-2004)

Year	HP / Model	Year	HP / Model	Year	HP / Model
2002	F225TURA	2003	50TLRB	2003	T8PXR
2002	F225TXRA	2003	60TLRB	2003	T9.9ELHB
2002	F25ELHA	2003	70TLRB	2003	T9.9ELRB
2002	F25ELRA	2003	9.9MSHB	2003	T9.9EXHB
2002	F25ESHA	2003	90TLRB	2003	V150TLRB
2002	F25ESRA	2003	DX150TLRB	2003	VX150TLRB
2002	F25MLHA	2003	F115TJRB	2003	VX200TLRB
2002	F25MSHA	2003	F115TLRB	2003	VX225TLRB
2002	F25TLRA	2003	F115TXRB	2003	VX250TLRB
2002	F30TLRA	2003	F15ELHB	2003	VZ150TLRB
2002	F40ESRA	2003	F15ESHB	2003	VZ175TLRB
2002	F40MJHA	2003	F15MLHB	2003	VZ200TLRB
2002	F40MLHA	2003	F15MSHB	2003	VZ225TLRB
2002	F40MSHA	2003	F15PLHB	2003	VZ250TLRB
2002	F40TLRA	2003	F15PLRB	2003	Z150TLRB
2002	F4MLHA	2003	F2.5MLHB	2003	Z150TXRB
2002	F4MSHA	2003	F2.5MSHB	2003	Z175TXRB
2002	F50TJRA	2003	F200TXRB	2003	Z250TURB
2002	F50TLRA	2003	F225TURB	2003	Z250TXRB
2002	F60TLRA	2003	F225TXRB	2004	115TLRC
2002	F6MLHA	2003	F25ELHB	2004	115TXRC
2002	F6MSHA	2003	F25ELRB	2004	130TLRC
2002	F80TJRA	2003	F25ESHB	2004	130TXRC
2002	F80TLRA	2003	F25ESRB	2004	150TXRC
2002	F8MLHA	2003	F25MLHB	2004	15MSHC
2002	F8MSHA	2003	F25MSHB	2004	25MSHC
2002	F9.9ELRA	2003	F25TLRB	2004	40TLRC
2002	F9.9MLHA	2003	F30TLRB	2004	50TLRC
2002	F9.9MSHA	2003	F40EJRB	2004	60TLRC
2002	LF115TXRA	2003	F40ESRB	2004	70TLRC
2002	LF200TXRA	2003	F40MJHB	2004	8MSHC
2002	LF225TURA	2003	F40MLHB	2004	9.9MSHC
2002	LF225TXRA	2003	F40MSHB	2004	90TLRC
2002	LX225TXRA	2003	F40TLRB	2004	DX150TLRC
2002	LX250TURA	2003	F4MLHB	2004	F115TJRC
2002	LX250TXRA	2003	F4MSHB	2004	F115TLRC
2002	LZ150TXRA	2003	F50TLRB	2004	F115TXRC
2002	LZ200TXRA	2003	F60TJRB	2004	F115TXRC
2002	SX150TXRA	2003	F60TLRB	2004	F115TXRC
2002	SX200TXRA	2003	F6MLHB	2004	F150TLRC
2002	SX225TURA	2003	F6MSHB	2004	F150TXRC
2002	SX225TXRA	2003	F75TLRB	2004	F15ESHC
2002	SX250TURA	2003	F8MLHB	2004	F15ESLC
2002	SX250TXRA	2003	F8MSHB	2004	F15MLHC
2002	T25TLRA	2003	F9.9MSHB	2004	F15MSHC
2002	T50TLRA	2003	F9.9ELRB	2004	F15PLHC
2002	T8ELHA	2003	F9.9MLHB	2004	F15PLRC
2002	T8EXHA	2003	F90TJRB	2004	F2.5MSHC
2002	T8PLHA	2003	F90TLRB	2004	F200TXRC
2002	T8PLRA	2003	LF115TXRB	2004	F225TURC
2002	T8PXHA	2003	LF200TXRB	2004	F225TXRC
2002	T8PXRA	2003	LF225TURB	2004	F25ELHC
2002	T9.9ELHA	2003	LF225TXRB	2004	F25ELRC
2002	T9.9ELRA	2003	LX225TXRB	2004	F25ESHC
2002	T9.9EXHA	2003	LX250TXRB	2004	F25ESRC
2002	V150TLRA	2003	LZ150TXRB	2004	F25MLHC
2002	VX200TLRA	2003	LZ200TXRB	2004	F25MSHC
2002	VX225TLRA	2003	LZ250TURB	2004	F25TLRC
2002	VX250TLRA	2003	LZ250TXRB	2004	F30TLRC
2002	VZ150TLRA	2003	SX150TXRB	2004	F40TJRC
2002	VZ175TLRA	2003	SX200TLRB	2004	F40MJHC
2002	VZ200TLRA	2003	SX200TXRB	2004	F40MLHC
2002	Z150TLRA	2003	SX225TURB	2004	F40TLRC
2002	Z150TXRA	2003	SX225TXRB	2004	F4MLHC
2002	Z175TXRA	2003	SX250TURB	2004	F4MSHC
2002	Z200TXRA	2003	SX250TXRB	2004	F50TLRC
2003	115TLRB	2003	T25TLRB	2004	F60TJRC
2003	115TXRB	2003	T50TLRB	2004	F60TLRC
2003	130TLRB	2003	T60TLRB	2004	F6MLHC
2003	130TXRB	2003	T8ELHB	2004	F6MSHC
2003	150TXRB	2003	T8EXHB	2004	F75TLRC
2003	15MSHB	2003	T8PLHB	2004	F8MLHC
2003	25MSHB	2003	T8PLRB	2004	F8MSHC
2003	40TLRB	2003	T8PXHB	2004	F9.9ELRC

Yamaha / Suzuki / Honda / Tohatsu / Nissan

YAMAHA OUTBOARDS - ALL YEARS AND MODELS (2004 cont.-2006)

Year	HP / Model	Year	HP / Model	Year	HP / Model
2004	F9.9MLHC	2005	F25ELHD	2005	Z250TXRD
2004	F9.9MSHC	2005	F25ELRD	2005	Z300TURD
2004	F90TJRC	2005	F25ESHD	2005	Z300TXRD
2004	F90TLRC	2005	F25ESRD	2006	115TLR
2004	LF115TXRC	2005	F25MLHD	2006	115TXR
2004	LF150TXRC	2005	F25MSHD	2006	150TXR
2004	LF200TXRC	2005	F25TLRD	2006	15MSH
2004	LF225TURC	2005	F30TLRD	2006	15PLH
2004	LF225TXRC	2005	F40EJRD	2006	25MSH
2004	LZ150TXRC	2005	F40MJHD	2006	40TLR
2004	LZ200TXRC	2005	F40MLHD	2006	50TLR
2004	LZ250TURC	2005	F40MSHD	2006	60TLR
2004	LZ250TXRC	2005	F40TLRD	2006	70TLR
2004	LZ300TURC	2005	F4MLHD	2006	8MSH
2004	LZ300TXRC	2005	F4MSHD	2006	9.9MSH
2004	SX150TXRC	2005	F50TLRD	2006	90TLR
2004	SX200TXRC	2005	F60TJRD	2006	F115TJR
2004	T25TLRC	2005	F60TLRD	2006	F115TLR
2004	T50TLRC	2005	F6MLHD	2006	F115TXR
2004	T60TLRC	2005	F6MSHD	2006	F150TLR
2004	T8ELHC	2005	F75TLRD	2006	F15ELH
2004	T8EXHC	2005	F8MLHD	2006	F15ESH
2004	T8PLHC	2005	F8MSHD	2006	F15MLH
2004	T8PLRC	2005	F9.9ELR2D	2006	F15MSH
2004	T8PXHC	2005	F9.9ELRD	2006	F15PLR
2004	T8PXRC	2005	F9.9MLH2D	2006	F2.5MSH
2004	T9.9ELRC	2005	F9.9MLHD	2006	F200TXR
2004	T9.9EXHC	2005	F9.9MLHR2D	2006	F225TUR
2004	V150TLRC	2005	F9.9MSH2D	2006	F225TXR
2004	VX150TLRC	2005	F9.9MSHD	2006	F250TUR
2004	VX200TLRC	2005	F90TJRD	2006	F250TXR
2004	VX225TLRC	2005	F90TLRD	2006	F25ELH
2004	VX250TLRC	2005	F90TXRD	2006	F25ELR
2004	VZ150TLRC	2005	FMMLHD	2006	F25ESH
2004	VZ175TLRC	2005	LF115TXRD	2006	F25ESR
2004	VZ200TLRC	2005	LF150TXRD	2006	F25MLH
2004	VZ225TLRC	2005	LF200TXRD	2006	F25MSH
2004	VZ250TLRC	2005	LF225TURD	2006	F25TLR
2004	VZ300TLRC	2005	LF225TXRD	2006	F30MSH
2004	Z150TLRC	2005	LZ150TXRD	2006	F30TLR
2004	Z175TXRC	2005	LZ200TXRD	2006	F40EJR
2004	Z200TXRC	2005	LZ250TURD	2006	F40MJH
2004	Z250TURC	2005	LZ250TXRD	2006	F40MLH
2004	Z250TXRC	2005	LZ300TURD	2006	F40TLR
2004	Z300TURC	2005	LZ300TXRD	2006	F4MLH
2004	Z300TXRC	2005	SX200TXRD	2006	F4MSH
2005	115TLRD	2005	T25TLRD	2006	F50TLR
2005	115TXRD	2005	T50TLRD	2006	F60TJR
2005	150TXRD	2005	T60TLRD	2006	F60TLR
2005	15MHSD	2005	T8ELHD	2006	F6MLH
2005	25MSHD	2005	T8EXHD	2006	F6MSH
2005	40TLRD	2005	T8PLHD	2006	F75TLR
2005	50TLRD	2005	T8PLRD	2006	F8MLH
2005	60TLRD	2005	T8PXHD	2006	F8MSH
2005	70TLRD	2005	T8PXRD	2006	F9.9ELR
2005	8MSHD	2005	T9.9ELH2D	2006	F9.9ELR2
2005	9.9MHSD	2005	T9.9ELHD	2006	F9.9MLH
2005	90TLRD	2005	T9.9ELR2D	2006	F9.9MLH2
2005	DX150TLRD	2005	T9.9ELRD	2006	F9.9MSH
2005	F115TJRD	2005	T9.9EXH2D	2006	F9.9MSH2
2005	F115TLRD	2005	T9.9EXHD	2006	F90TJR
2005	F115TXRD	2005	V150TLRD	2006	F90TLR
2005	F150TLRD	2005	VX200TLRD	2006	F90TXR
2005	F150TXRD	2005	VZ150TLRD	2006	LF115TXR
2005	F15ELHD	2005	VZ175TLRD	2006	LF150TXR
2005	F15ESHD	2005	VZ200TLRD	2006	LF200TXR
2005	F15MLHD	2005	VZ225TLRD	2006	LF225TUR
2005	F15MSHD	2005	VZ250TLRD	2006	LF225TXR
2005	F15PLHD	2005	VZ300TLRD	2006	LF250TUR
2005	F15PLRD	2005	Z150TXRD	2006	LF250TXR
2005	F2.5MSHD	2005	Z175TXRD	2006	LZ150TXR
2005	F200TXRD	2005	Z200TLRD	2006	LZ200TXR
2005	F225TURD	2005	Z200TXRD	2006	LZ250TXR
2005	F225TXRD	2005	Z250TURD	2006	LZ300TRU

Limited Warranty of GLM Products, Inc.

1. This product of GLM Products, Inc. (“GLM”) is warranted to be free from defects in material and workmanship for a period of two years from the date of purchase for aluminum elbow/manifold and all other GLM parts and accessories, three years from the date of purchase for cast iron elbow/manifold. Products used for commercial, rental, or income producing activity are warranted for a period of ninety (90) days. Only a person who has proof of purchase of the GLM product will receive warranty service.
2. GLM does not warrant or make any representations in respect to installation errors made by a servicing dealer, servicing mechanic, or the individual. This warranty applies to defects in material and workmanship only, it does not apply to the following: alteration, removal of parts, adjustments, tune-ups, normal wear, damages due to accident, improper installation or service, misuse, neglect, lack of maintenance, use of any accessory or part not manufactured or sold by GLM, operation with fuels, oils, or lubricants which are not suitable for use with the product, water entering engine cylinder through exhaust system or carburetor, participation in or preparing for racing or other competitive activity or operating with a racing type lower unit. GLM’s liability under this warranty shall be terminated on any part damaged by flood, fire, storm, or other natural acts or where the model number and other identification has been altered, defaced or removed.
3. GLM will not be liable for any labor charges and incidental, consequential (such as loss of business), special or indirect damages resulting from the product or caused by the defect or reasonable delay in correcting the defect are not covered under the warranty.
4. GLM reserves the right to inspect and determine whether or not any part has failed due to a defect in material or workmanship. **Do not disassemble any parts including drive units that have been assembled by GLM. GLM’s obligation shall be limited to repairing, replacing or crediting the product determined to be defective, at GLM’s sole discretion:** GLM reserves the right to credit refund your purchase price for the product rather than repair or replace the product, or any part thereof. Any part is covered only for the original warranty period. Once the warranty on the product has expired, the warranty on any replaced or repaired part also expires. GLM shall be allowed to keep parts it deems defective under this warranty.
5. **ALL WARRANTIES BY AND FROM GLM, EXPRESS OR IMPLIED, INCLUDING WITHOUT LIMITATION IMPLIED WARRANTIES OF MERCHANTABILITY AND FITNESS FOR A PARTICULAR PURPOSE, ARE LIMITED IN DURATION TO THE DURATION OF THIS WARRANTY FOR THE PRODUCT INVOLVED. GLM DOES NOT WARRANT, GUARANTEE OR MAKE ANY REPRESENTATIONS REGARDING THE USE OR THE RESULTS OF THE USE OF THE PRODUCT IN TERMS OF ITS CORRECTNESS, RELIABILITY OR OTHERWISE. THE ENTIRE RISK AS TO THE RESULT AND PERFORMANCE OF THE PRODUCT IS ASSUMED BY YOU. IN NO EVENT WILL GLM, OR ITS RESPECTIVE DIRECTORS, OFFICERS, EMPLOYEES OR AGENTS (COLLECTIVELY, “GLM”) BE LIABLE TO YOU FOR ANY CONSEQUENTIAL, INCIDENTAL, SPECIAL OR INDIRECT DAMAGES (INCLUDING DAMAGES FOR LOSS OF BUSINESS PROFITS, BUSINESS INTERRUPTION, LOSS OF BUSINESS INFORMATION AND THE LIKE) ARISING OUT OF THE USE OR INABILITY TO USE THE PRODUCT.** GLM’s liability to you for actual damages from any cause whatsoever, and regardless of the form of the action (whether in contract, tort (including negligence), product liability or otherwise), will be limited to the purchase price paid for the product. No GLM dealer, agent or employee is authorized to make any modification or extension to this warranty. Because some states do not allow the exclusion of implied warranties and/or the exclusion or limitation of liability for consequential or incidental damages, the above limitations may not apply to you. This warranty gives you specific legal rights, and you may have other rights which vary from state to state.
6. You are required to notify GLM of any defect within the applicable warranty period and immediately obtain from GLM or its distributor a warranty application and a GLM RGA number. Upon GLM’s receipt of the completed warranty application and part claimed under this warranty (with the GLM RGA number marked on the shipping and packaging of the part), GLM will inspect the part for warranty coverage. Only when the defect is covered by the warranty will the part be repaired or replaced, at GLM’s sole option. If warranty service is required, you must deliver your product, at your expense, with proof-of-purchase (including original purchase invoice and invoice for installation of warranted part) to GLM for repair. Service is provided by GLM at its corporate headquarters at 705 Los Angeles Avenue, Monrovia, California 91016, Tel: (626) 357-0077, Fax: (626) 357-0600. When repair is completed, GLM will ship back to its indicated address. Shipping methods will be determined by GLM.
7. This warranty comprises the sole and entire warranty pertaining to the product furnished to you by GLM, and GLM makes no other warranty, guarantee or representation of any kind whatsoever pertaining to the product. Any other representations, or promises by any person are unauthorized and are not binding upon GLM unless in writing.

Warranty Service Procedure

1. GLM will directly and promptly approve and honor legitimate warranty claims on product only under the condition that the claim is made through a servicing Dealer. ****Do not disassemble any parts including drive units that have been assembled by GLM.****
2. GLM will credit or reimburse the Dealer for qualified warranty claims submitted that comply to GLM identified warranty policies.

ANY CLAIM UNDER GLM'S WARRANTY (Please see Limited Warranty of GLM Products) SHALL BE IN WRITING TO GLM PRODUCTS, INC. WITHIN THE WARRANTY PERIOD. TO ASSURE FAST AND EFFICIENT SERVICE PLEASE SHIP ALL WARRANTY PART(S) AND DOCUMENTATION DIRECTLY TO GLM. ALL WARRANTY CLAIM PRODUCTS MUST BE SHIPPED FREIGHT PREPAID TO GLM FOR WARRANTY INSPECTION. (FREIGHT CHARGES WILL BE REIMBURSED ONLY UPON APPROVAL ON WARRANTY)

1. All returns must have a GLM "RGA #" assigned (contact GLM directly for the "Return Goods Authorization #"). It is imperative to indicate this number on outside of all boxes and included on all submitted documentation. No returns will be accepted without an RGA #.
2. All returns must accompany a copy of the completed warranty application. (Application is available at www.glmmarine.com, in the back of each GLM's catalog or through your GLM distributor.)
3. **ALL** parts involved in the claim.
4. Copy of invoices as follows:
 - Original purchase invoice from distributor.
 - Original invoice for installation of warranted parts.
 - Proposed invoice/ work-order to GLM, if any, for warranty claim.NOTE: GLM complies with OEM standard flat hours and rates.
Copies of all invoices for items in above proposed invoice.

Send parcel(s) to:

**GLM Products, Inc. - Warranty
705 Los Angeles Avenue
Monrovia, CA 91016
RGA#**





GLM Products, Inc. Warranty Claim Application

Note: Please fill out all information and send all requested material. Failure to complete this form and supply all requested material will delay your claim. Do not disassemble units that were assembled by GLM. Other applications that used only GLM parts should have just the parts returned to GLM not the complete unit.

RGA # _____ Contact GLM at 626/357-0077 for a Returned Goods Authorization #. All returned goods **must** have an RGA # marked on package (s) or they will be refused. No exceptions. **Ship to: GLM Products, Inc. 705 Los Angeles Avenue Monrovia, CA 91016**
Date Called: _____
Caller Name: _____
Company Name: _____

Distributor Information:
Company: _____ Contact: _____ City: _____ State: _____

Dealer Information:
Company: _____ Address: _____ City: _____
State: _____ Zip: _____ Tel: _____ Fax: _____ Contact: _____

Dealer Customer Information:
Name: _____ Address: _____ City: _____
State: _____ Zip: _____ Tel: _____ Fax: _____

Application Details:
Manufacturer: _____ Model: _____ Year: _____
Length: _____ Beam: _____ Engine / Drive: _____ Horse Power: _____

List any modifications to boat or drive system that were not installed by the original manufacturer:

Details of Return: Please list all item (s) being returned and describe detailed reason for warranty claim.

If you need more space for this description please continue on a blank sheet of paper.

Documentation and other items required to process warranty: Please make sure that all items listed are sent with this application. Failure to do so will delay processing this claim.

1. All parts claimed and listed on this application. This is **all parts** being claimed regardless of manufacturer.
2. Copy of invoices as follows:
 - A. Original purchase invoice from Distributor.
 - B. Proposed invoice to GLM from the Dealer for repairs.
 - C. Invoice for installation of warranted parts.
 - D. Invoices for any other items being claimed

Note: GLM reserves the right to credit the Dealer, via the Distributor, for all GLM products involved in this claim.



GLM MANIFOLD CATALOG

Over 370 quality manifold
replacement parts available for...

MerCruiser

OMC

Volvo Penta

Barr/Indmar/Marine Power



Manifold Cat.



GLM Products, Inc. · 705 Los Angeles Avenue · Monrovia, CA 91016 USA
TEL (626) 357-0077 · FAX (626) 357-0600
info@glmmarine.com

An instant copy of our catalog can be downloaded from our website at:

www.glmmarine.com



GLM Products, Inc.
705 Los Angeles Avenue
Monrovia, CA 91016 USA
TEL (626) 357-0077
FAX (626) 357-0600
info@glmmarine.com



Quality replacement parts catalogs for:

-  **MerCruiser**
-  **OMC/Volvo Penta**
-  **Johnson/Evinrude**
-  **Mercury/Mariner/Force**
-  **Yamaha** (Suzuki, Honda, Tohatsu, Nissan)

For catalog availability, visit us on the web at:
www.glmmarine.com



Manifold Catalog

\$0.00 USD Digital Copy
GYA14V1